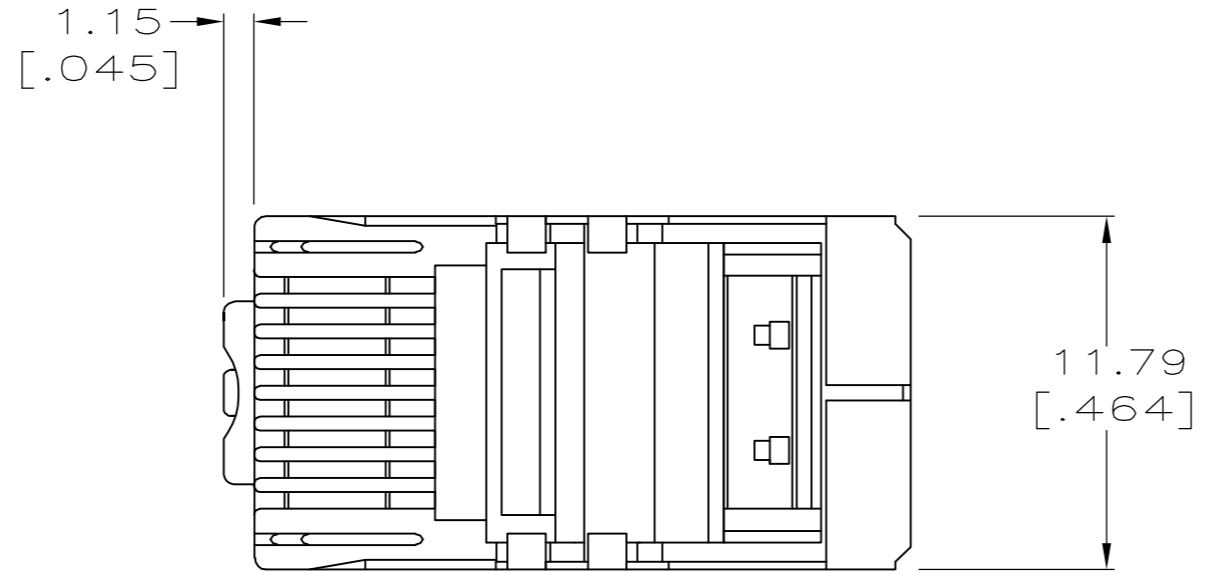
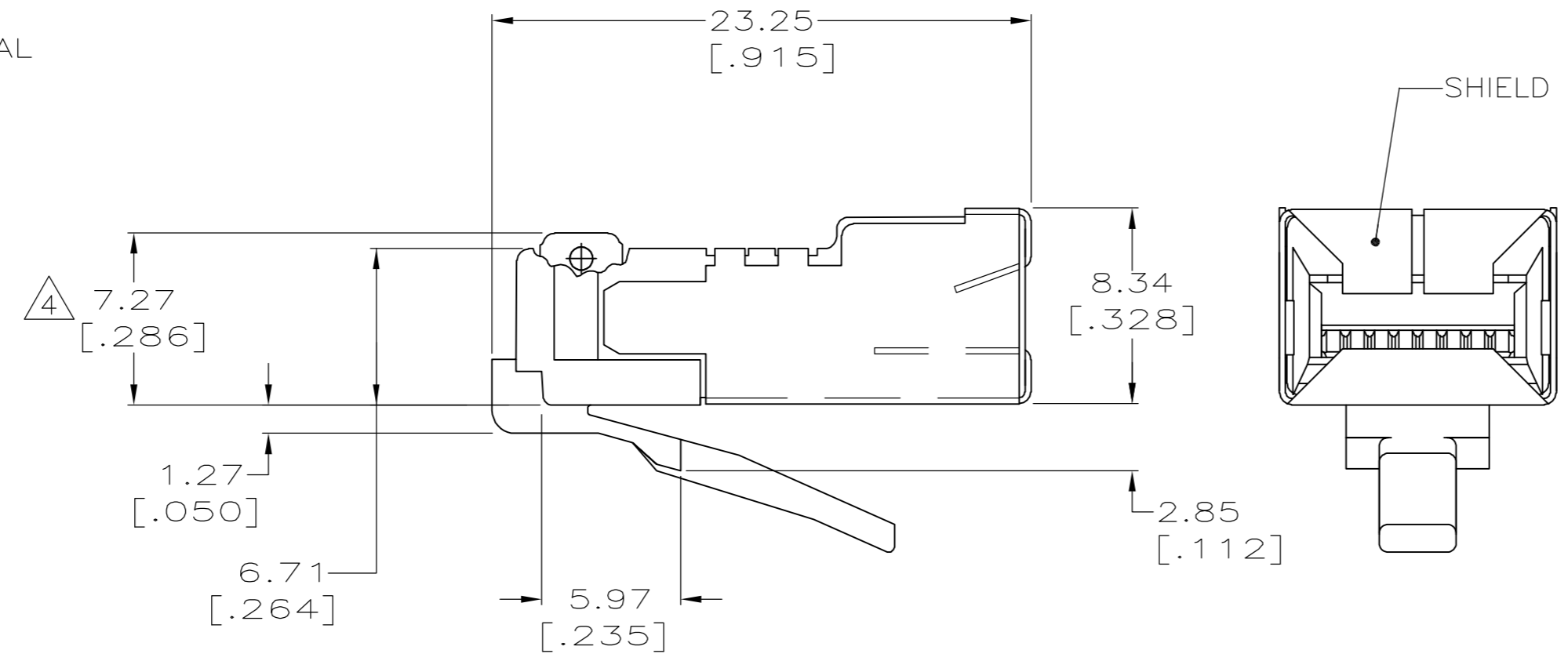
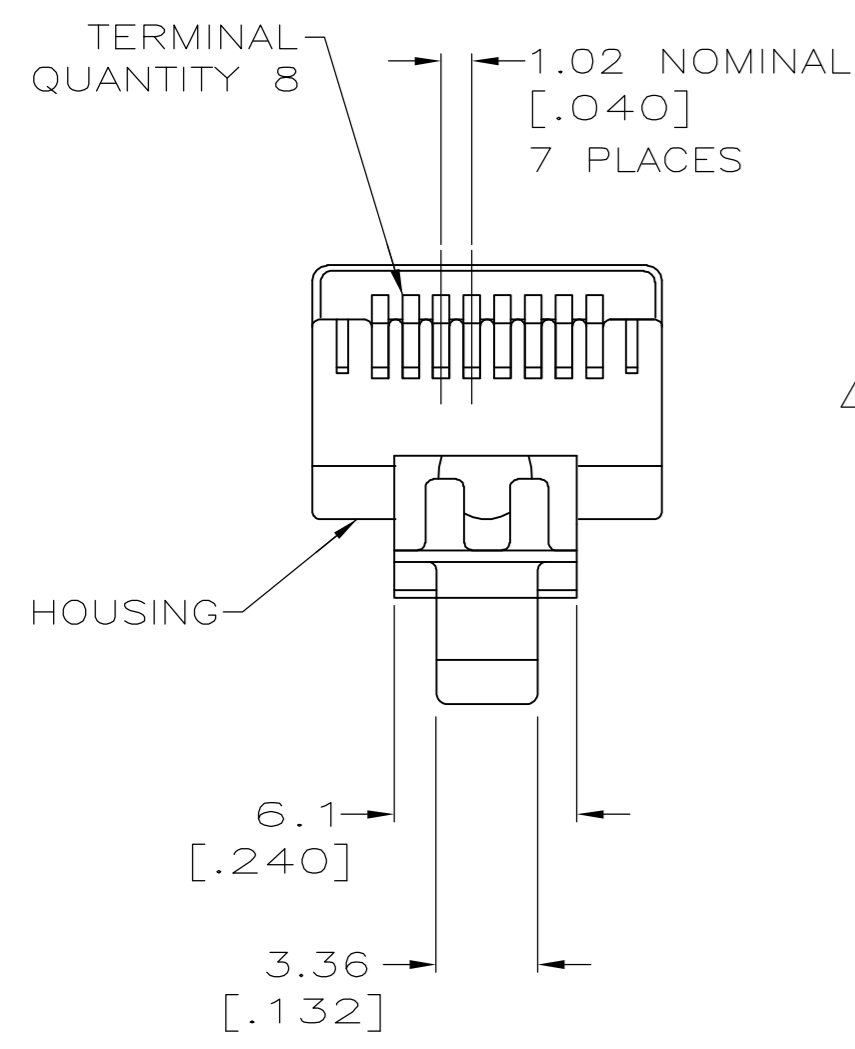


THIS DRAWING IS UNPUBLISHED. RELEASED FOR PUBLICATION  
 © COPYRIGHT BY TYCO ELECTRONICS CORPORATION. ALL RIGHTS RESERVED.

LOC	DIST	REVISIONS					
HM	00	P	LTR	DESCRIPTION	DATE	DWN	APVD
			B	REVISED PER EC 0515-0123-03	11APR03	DLD	ECL
			C	REV EC0-06-004380	07JUN06	LH	CD
			D	REV EC0-06-022160	30OCT06	LH	CD



- 1. DIMENSIONS ARE MAXIMUM UNLESS OTHERWISE SPECIFIED.
- 2. MATERIAL: HOUSING - POLYCARBONATE, CLEAR  
 TERMINAL - PHOSPHOR BRONZE, PLATED WITH 1.27μm [.000050] MINIMUM THICK GOLD IN LOCALIZED GOLD PLATE AREA, GOLD FLASH OVER THE REMAINDER, OVER 2.54μm [.000100] MINIMUM THICK NICKEL UNDERPLATE.  
 SHIELD - COPPER ALLOY WITH 1.27μm [.000050] MINIMUM SEMI-BRIGHT (SATIN) NICKEL.
- 3. PLUG WILL ACCEPT 24 OR 26 AWG SOLID WIRE, 0.74-0.99 [.029-.039] DIAMETER, WITH A 2.80 X 9.02 [.110 X .355] MAXIMUM JACKET.
- 4. TERMINATED DIMENSION 6.15 [.242] MAXIMUM.
- 5. PACKAGED 500 ASSEMBLIES PER CARTON.



5	5-569540-2
PACKAGED	PART NUMBER

THIS DRAWING IS A CONTROLLED DOCUMENT.		DWN	G. GARRETT	10-10-95	<b>tyco</b> Electronics	Tyco Electronics Corporation			
DIMENSIONS:		CHK	C. WHITT	10-30-95		Harrisburg, PA 17105-3608			
mm [INCHES]		APVD	E. LAURER	11-6-95		NAME			
TOLERANCES UNLESS OTHERWISE SPECIFIED:		PRODUCT SPEC		MODULAR PLUG ASSEMBLY, 8 POSITION, SHIELDED, FLAT OVAL CABLE, SOLID WIRE					
0 PLC ± -		APPLICATION SPEC		108-1163		SIZE	CAGE CODE	DRAWING NO	RESTRICTED TO
1 PLC ± -		WEIGHT		114-6016		A2	00779	C=569540	-
2 PLC ± -		CUSTOMER DRAWING		SCALE		4:1		SHEET	1 of 1
3 PLC ± -								REV	D
4 PLC ± -									
ANGLES ± -									
FINISH									