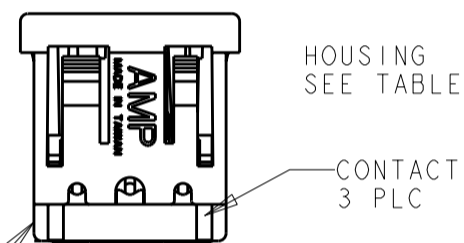
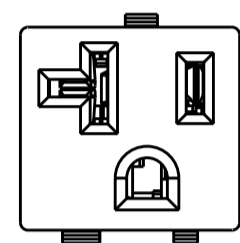


THIS DRAWING IS UNPUBLISHED. RELEASED FOR PUBLICATION 20  
 © COPYRIGHT 20 BY - ALL RIGHTS RESERVED.

- MATERIAL, HOUSING: NYLON, COLOR - SEE TABLE.  
COVER: NYLON, BLACK.  
CONTACTS: BRASS.
- CONTACTS TO ACCEPT 12 AWG AND 14 AWG SOLID COPPER WIRE.

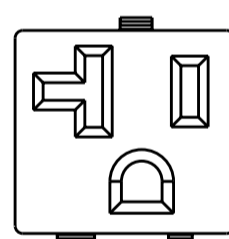
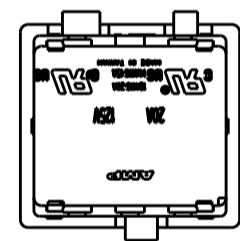
- 3 COVER PACKAGED UNASSEMBLED.
- 4 SNAP IN FEATURE ACCOMODATES 0.76-1.78 PANEL THICKNESS ONLY.



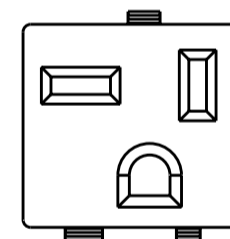
3 COVER

HOUSING  
SEE TABLE

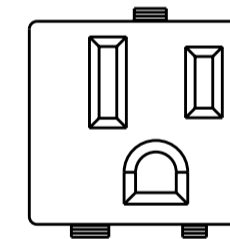
CONTACT  
3 PLC



TYPE A  
15/20 A

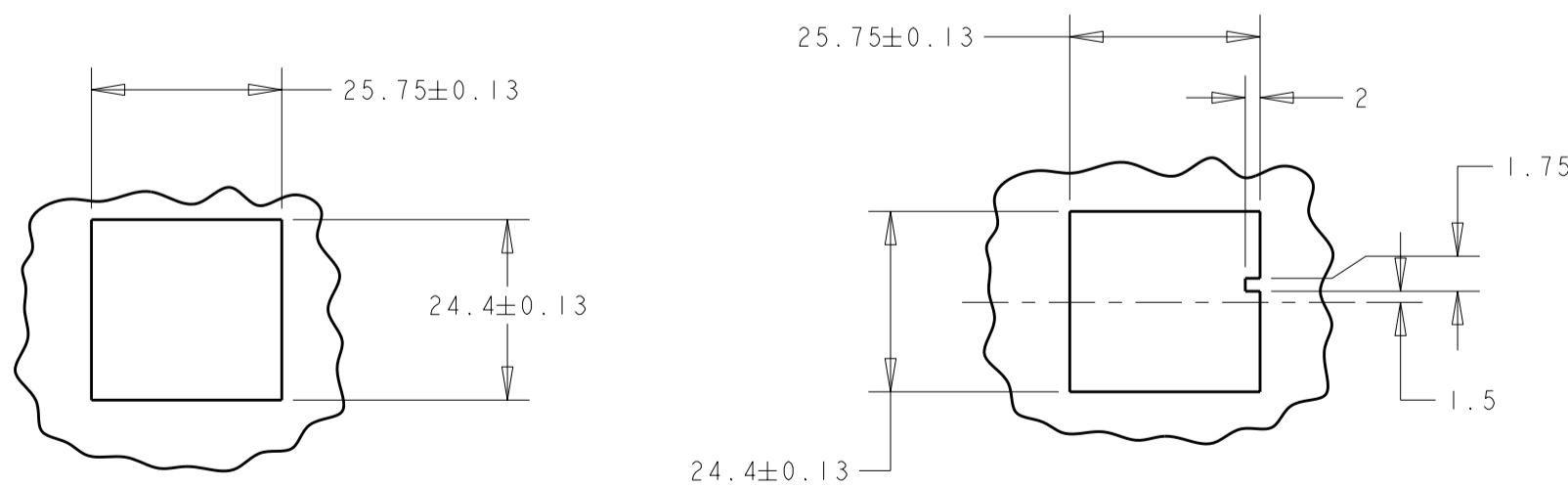


TYPE B  
20 A ONLY



TYPE C  
15 A ONLY

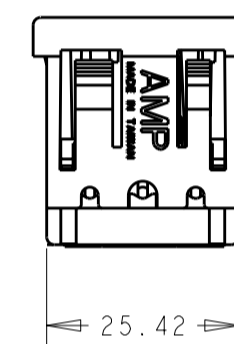
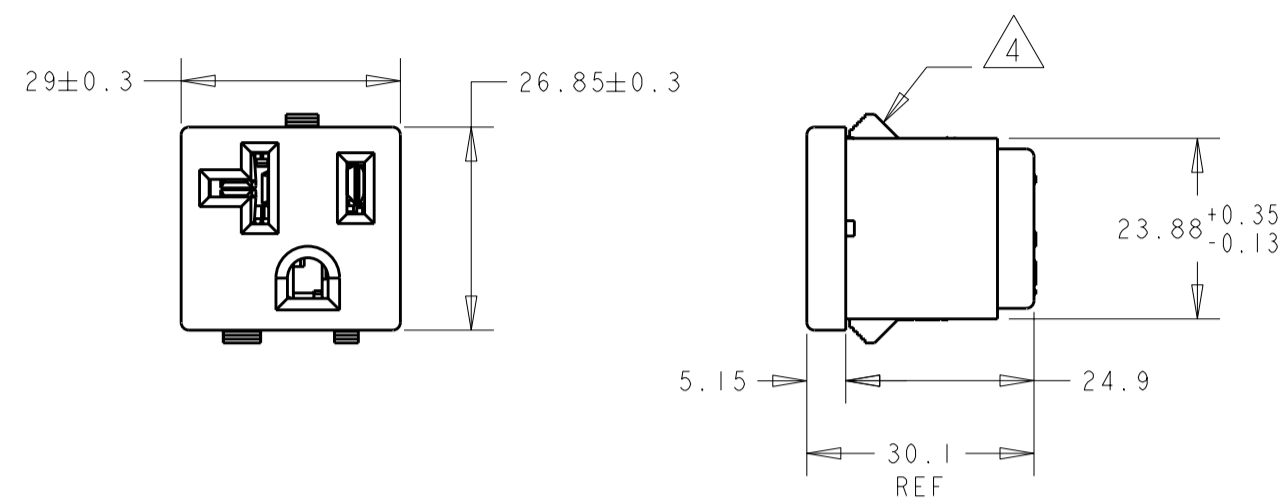
INTERFACE TYPE



RECOMMENDED PANEL CUTOUT  
WITHOUT ORIENTATION FEATURE

RECOMMENDED PANEL CUTOUT  
WITH ORIENTATION FEATURE

LOC	DIST	REVISIONS			
P	LTR	DESCRIPTION	DATE	DWN	APVD
CM	00	D2	REVISED PER ECO-11-004917	12MAR2011	RK HMR



ASSEMBLED VIEW

PRELIMINARY - NOT FOR PRODUCTION	ORANGE	C	1445199-9
PRELIMINARY - NOT FOR PRODUCTION	ORANGE	B	1445199-8
	ORANGE	A	1445199-7
PRELIMINARY - NOT FOR PRODUCTION	BLUE	A	1445199-6
PRELIMINARY - NOT FOR PRODUCTION	RED	A	1445199-5
	GREY	A	1445199-4
	BLACK	C	1445199-3
	BLACK	B	1445199-2
	BLACK	A	1445199-1
ASSEMBLY COLOR	ASSEMBLY TYPE	PART NUMBER	

THIS DRAWING IS A CONTROLLED DOCUMENT.

DWN B. HAYMAKER 15NOV2000  
 CHK K. KETELSIEGER 15NOV2000  
 APVD K. KETELSIEGER 15NOV2000

TE Connectivity

20A CONVENIENCE OUTLET ASSEMBLY KIT, WITH COVER

SIZE A2 CAGE CODE 00779 DRAWING NO. 1445199 RESTRICTED TO

MATERIAL - WEIGHT -

CUSTOMER DRAWING SCALE 1:1 SHEET 1 OF 1 REV D2