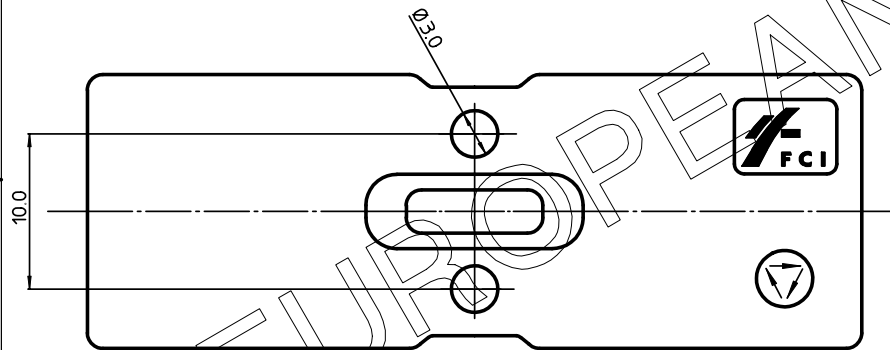
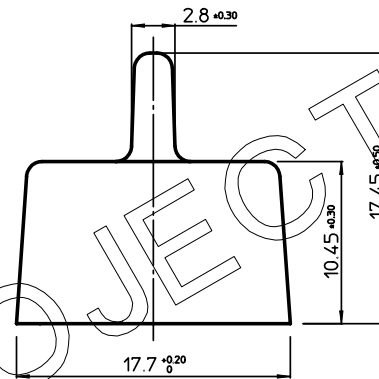
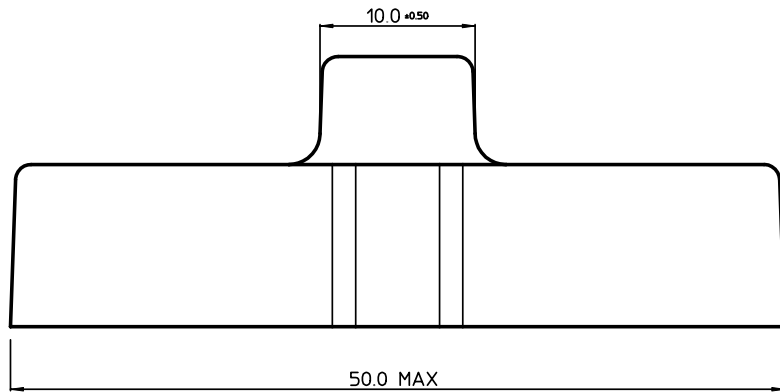


BS.C ,202566,001

B

| | | | | | | | | | | | | | | | | | | | | | | | | | | | | | | | |
|----------|----|----|----|----|----|----|----|----|----|----|----|----|----|----|----|----|----|----|----|----|----|----|----|----|----|----|----|----|----|----|----|
| GEN. ST. | 01 | 02 | 03 | 04 | 05 | 06 | 07 | 08 | 0D | 50 | 60 | 70 | 80 | 90 | | | | | | | | | | | | | | | | | |
| INT. ST. | 10 | 11 | 12 | 13 | 14 | 18 | 20 | 31 | 32 | 33 | 34 | 38 | 39 | 40 | 42 | 43 | 44 | 45 | 46 | 48 | 56 | 70 | 72 | 73 | 75 | 76 | 81 | 82 | 83 | 84 | 88 |

| REV. | DATE | DESCRIPTION | BY | C'K'D' |
|------|------------|------------------------|-------|--------|
| A | 2001-09-14 | CONVERSION REVISION 01 | KN | |
| B | 2006-08-08 | 106-0144 | VIVEK | BKP |




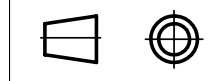
NOTES:

- MATERIAL: POLYSTYREEN CLEAR, ANTI-STATIC, RECYCLABLE.
- THIS PRODUCT IS CSA APPROVED.
- THIS PRODUCT IS UL RECOGNIZED.

THIS IS OUR EXCLUSIVE PROPERTY. IT IS NOT TO BE COPIED, REPRINTED OR DISCLOSED TO A THIRD PARTY, NOR USED FOR MANUFACTURING WITHOUT OUR WRITTEN CONSENT, AND HAS TO BE RETURNED TO US IN CASE OF NO USAGE

DIT IS ONZE EIGENDOM EN MAG NOCH NAGEMAAKT, HERDRUKT, OVERGEMAAKT AAN DERDEN, NOCH VOOR FABRIKATIE GEBRUIKT WORDEN, ZONDER ONZE SCHRIFTELIJKE TOELATING. BIJ NIET GEBRUIK IS TERUGZENDING VERPLICHT.

| | | | | |
|---|--------------|-------------|--------------|--|
| 1DEC ±0,2 2DEC ±0,1 ANGLES ±1° | APPR. | DATE | SIGN. | MILLIPACS 2 PROTECTION CAP 8+2 ROW MALE CONN. |
| WE RESERVE THE RIGHT TO CHANGE DIMENSIONS OR REQUIREMENTS WITHOUT PRIOR NOTICE. | DRAFT | 1998-11-05 | W. Panis | CAT. No. HM2PC 1 |
| ALL DIMENSIONS IN MM | CHECKED | | | SCALE |
| | PRD. MGR. | | |  www.fciconnect.com |
| | PR. ENG MGR. | | | |
| | PR. MGT MGR. | | | |



REFERENCES

BS.C ,202566,001 B
DRAWING No. CUSTOMER DRAWING REVISION