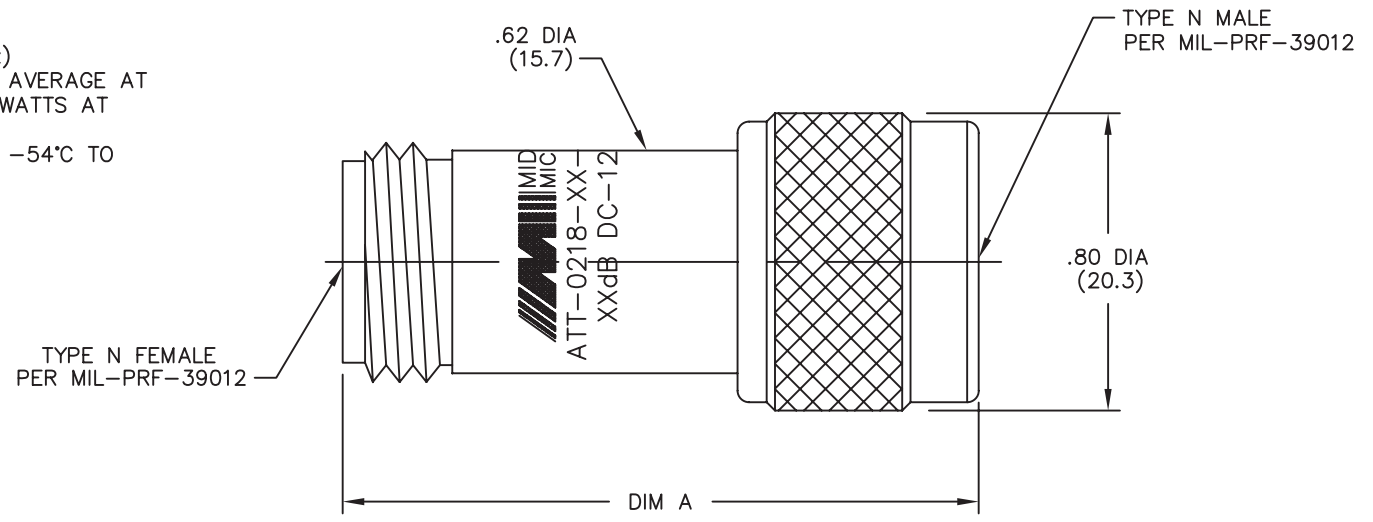


MODEL NUMBER
ATT-0218-XX-NNN-02

- NOTES:
- 1.0 ELECTRICAL SPECIFICATIONS:
 - 1.1 FREQUENCY RANGE: DC to 12.4 GHz
 - 1.2 ATTENUATION VALUES: 1 THRU 60dB IN 1dB INCREMENTS
 - 1.3 ATTENUATION ACCURACY:
 - 1.3.1 1-6dB ±0.3dB
 - 1.3.2 7-20dB ±0.5dB
 - 1.3.3 21-40dB ±1.0dB
 - 1.3.4 41-60dB ±1.5dB
 - 1.4 IMPEDANCE: 50 OHMS
 - 1.5 MAXIMUM VSWR: 1.07 +0.015f(GHz)
 - 1.6 MAXIMUM INPUT POWER: 2 WATTS AVERAGE AT +40°C DERATED LINEARLY TO 0.5 WATTS AT +125°C
 - 1.7 OPERATING TEMPERATURE RANGE: -54°C TO +125°C
 - 2.0 MARKING: MARK UNIT USING LABEL INK-02581-27-XX
 - 3.0 DIMENSIONS IN PARENTHESIS ARE IN MILLIMETERS




DWG NO. WAS: 02356-01-00

REV.	DESCRIPTION	DATE
-	RELEASED	1/5/93
A	ECR 0348	6/21/79
B	ECR 2965	7/11/84
C	ECR 5722	11/20/87
D	ECR 6545	6/29/89
E	ECN 11287	7/5/92
F	REDRAW ON CAD	7/5/92
G	ECN 12349	1/29/93
G1	ADDED TITLEBLOCK	3/21/05

NOTICE: The information contained in this drawing is proprietary and must not be used without the permission of Cinch Connectivity Solutions.

UNLESS OTHERWISE NOTED DIMENSIONS ARE IN INCHES AND TOLERANCES ARE:
 3 PLACE DECIMALS ±.005
 2 PLACE DECIMALS ±.02
 FRACTIONS ±1/64
 PARALLELITY: T.I.R.
 FLATNESS: T.I.R.
 CONCENTRICITY: T.I.R.
 ANGLES AND PERPENDICULARITY: ±1'

CAGE CODE 34078		MIDWEST MICROWAVE	
 cinch CONNECTIVITY SOLUTIONS a bel group		TITLE ATTENUATOR - TYPE N OUTLINE DRAWING	
		DRAWN/DATE A.BEATTY 1/4/93	ENG./DATE G.KOZAK 1/5/93
CHECKED/DATE M.HOLLMAN 1/4/93		APPROVED/DATE	SCALE: 5=1 SHEET 1 of 1