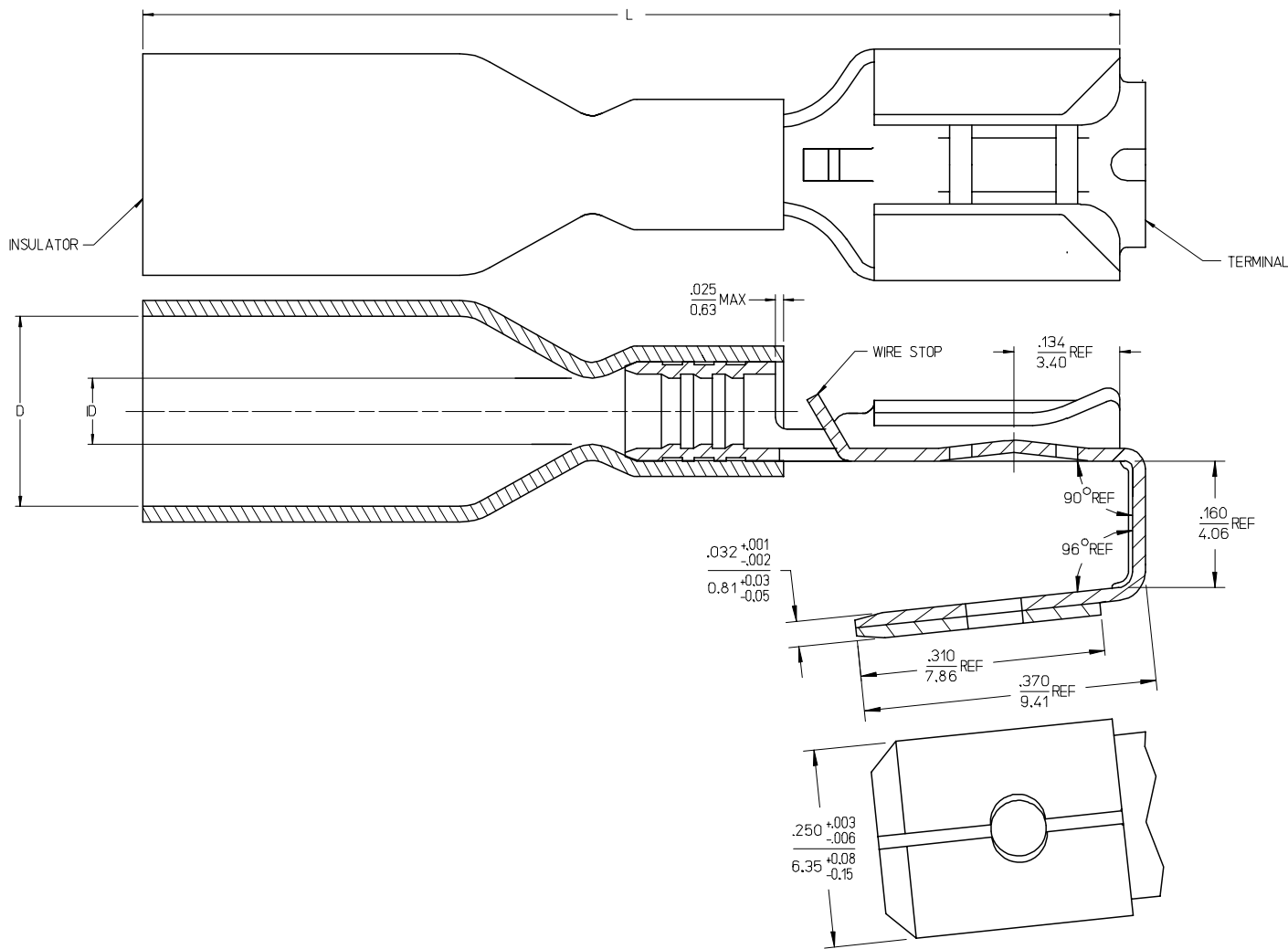


MATERIAL NO.	ENGINEERING NO.	WIRE SIZE	INSULATOR COLOR	ID MIN	D MIN	L MAX
191640989	19164-0989	16-14 AWG	BLUE	.080/2.03	.220/5.58	1.470/37.34
191640990	19164-0990	12-10 AWG	YELLOW	.150/3.81	.350/8.89	1.440/36.58



NOTES:

1. TERMINAL MATERIAL: BRASS
2. TERMINAL FINISH: TIN PLATED
3. INSULATOR MATERIAL: PERMA-SEAL NIAC
4. ASSEMBLY IS ROHS COMPLIANT.

<b>REDRAWN &amp; REVISED</b> EC NO: ETC2007-0259 DRAWN BY: DRWNEHLE CHKD: IMACNEIL APPR: IMACNEIL	2007/02/28 2007/03/05 2007/03/05	QUALITY SYMBOLS ▽=0 ▽=0	GENERAL TOLERANCES (UNLESS SPECIFIED)		DIMENSION STYLE		SCALE	DESIGN UNITS	THIRD ANGLE PROJECTION		
					IN/MM		10:1	INCH			
			4 PLACES	±	±	DRAWN BY	DATE	TITLE			
			3 PLACES	±	±	DLM	2003/06/13	PIGGYBACK QD, .250 X .032 TAB, PERMA-SEAL NIAC			
2 PLACES	±	±	CHECKED BY	DATE	MOLEX INCORPORATED						
1 PLACE	±	±	SB	2003/06/13							
ANGULAR ±---°			APPROVED BY	DATE	MATERIAL NO.		DOCUMENT NO.	SHEET NO.			
DRAFT WHERE APPLICABLE MUST REMAIN WITHIN DIMENSIONS			RWD	2003/06/13	SEE CHART		SD-19164-053	1 OF 1			
THIS DRAWING CONTAINS INFORMATION THAT IS PROPRIETARY TO MOLEX INCORPORATED AND SHOULD NOT BE USED WITHOUT WRITTEN PERMISSION											