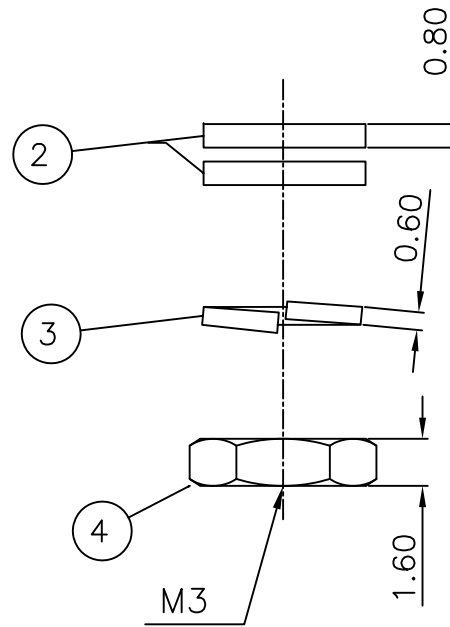
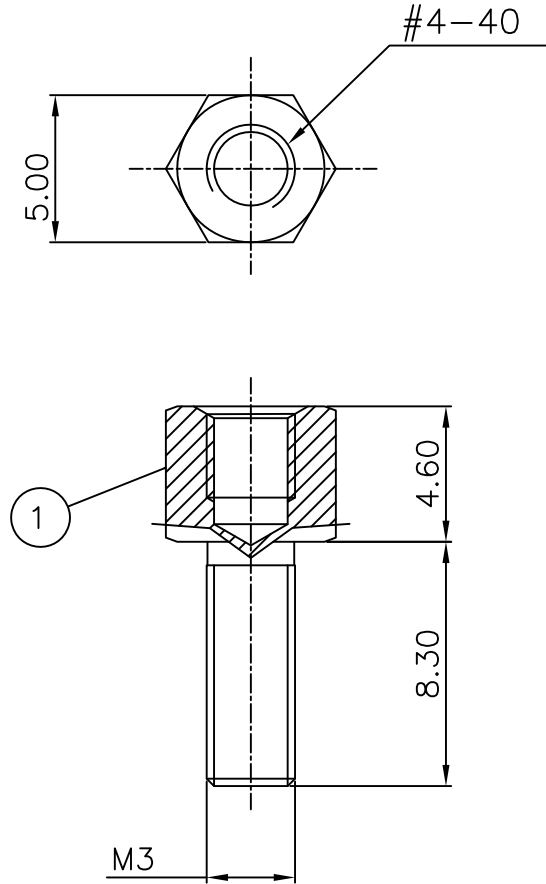


This document is the property of Amphenol Corporation and is delivered on the express condition that it is not to be disclosed, reproduced or used, in whole or in part, for manufacture or sale by anyone other than Amphenol Corporation without its prior consent, & that no right is granted to disclose or to use any information in this document.



- ① 1 SCREWS
- ② 2 WASHERS
- ③ 1 LOCK WASHERS
- ④ 1 NUTS



REVISIONS				
SYM	ECN	DESCRIPTION	DATE	APPROVED
1			08/17/07	

**D-SUB TECHNICAL DATA**

Material : steel  
 Plating : tinned  
 delivered separately  
 1 P/N = 1 lockings  
 2 lockings are necessary for one connector

MARKING:  
 Amphenol-...(Series No.)  
 Commercial reference  
 Manufacturing date

UNLESS OTHERWISE SPECIFIED TOLERANCES		APPROVAL	DATE	Amphenol
	U.S. METRIC	DRAWN Lisa.peng	08/17/07	
.X +/-	0.50	CHECKED Mh.wang	08/17/07	TITLE Accessory, screwlock with nut and washes
.XX +/-	0.30	CHECKED		
.XXX +/-	0.20	DRAWING FILE : DRAWING_Dsub/4CB2123X		SIZE DRAWING NO.
FRACTIONS +/-		REMOVE SHARP EDGES		A4 C L17D204182M3EX
ANGLES +/-	2'	ANGLE OF PROJECTION		SCALE NONE
FOR MATERIALS AND FINISHES SEE NOTES		DIMENSIONS		REV. 1
		U.S. INCHES		SHEET 1 OF 1
		METRIC MM		