

DETAILS

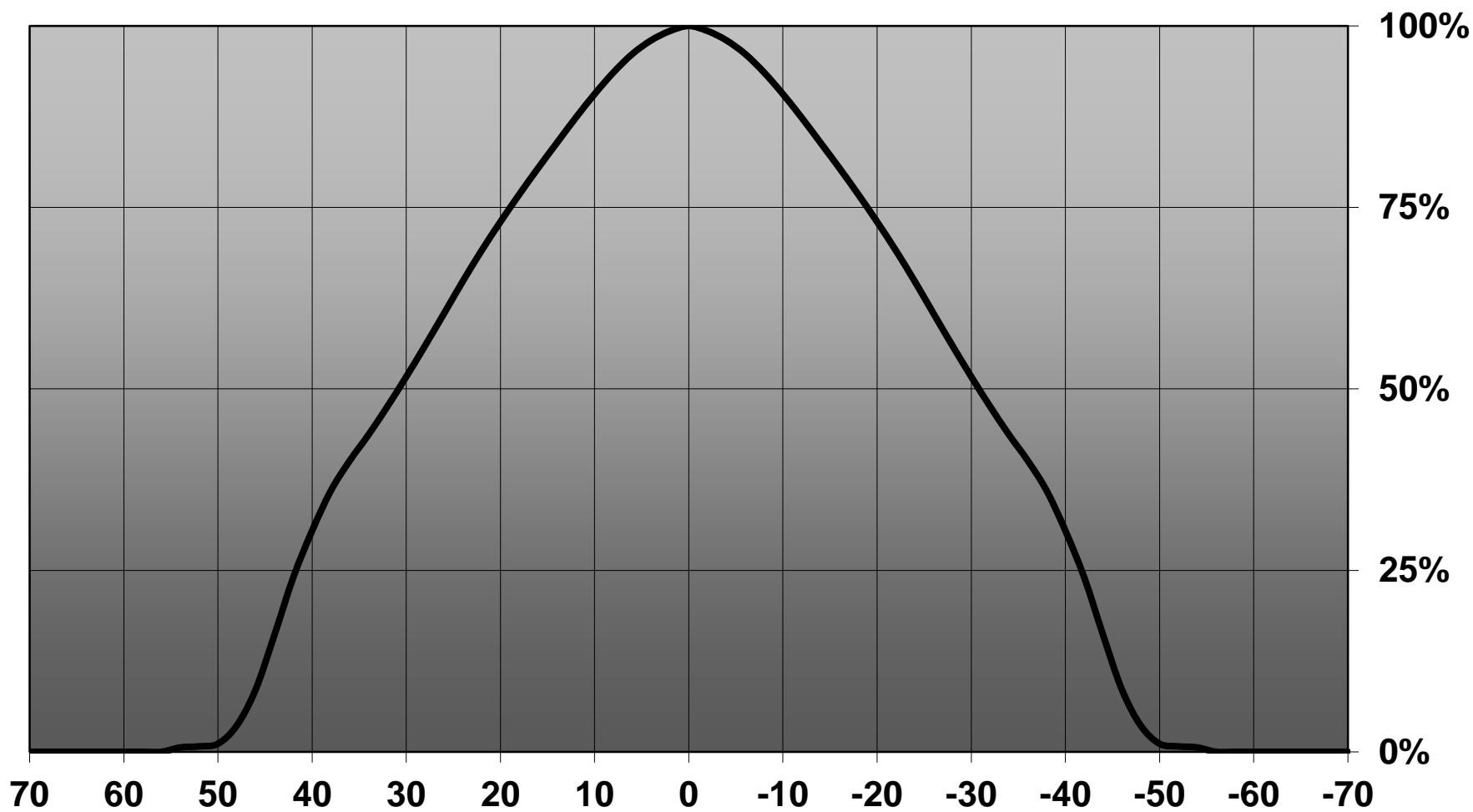
Product Number	CA12883_MINNIE-WWW
Family	Minnie
Type	RefAssy
Color	black
Diameter	35 mm
Height	15,8 mm
Style	round
Optic Material	
Holder Material	
Fastening	tape
Status	production ready
ROHS Compliant	Yes
Date Updated	4/02/2013

OPTICAL PROPERTIES

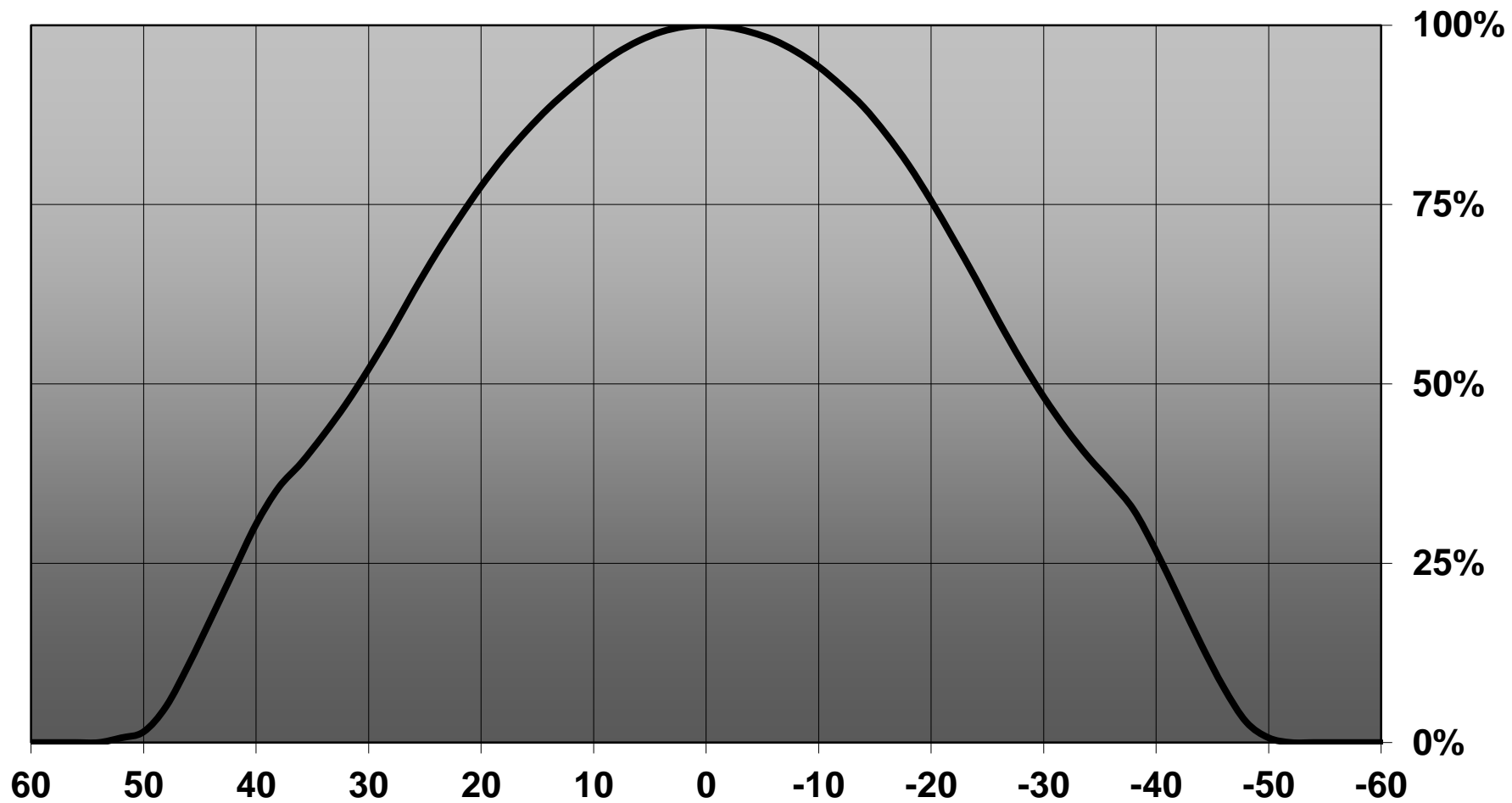
LED	Viewing	Light	Effi-	cd/lm	Connector
	Angle	Beam	ciency		
XHP70	71 deg	WWW-class	90 %	0.730	-
MHD-E/G	73 deg	WWW-class	95 %	0.720	-
LUXEON M/MX	63 deg	WWW-class	92 %	0.869	-
Duris S10	60 deg	WWW-class	90 %	1.000	-
Duris P10	sim: 61	WWW-class	sim: 92 %	sim: 1.000	-



Relative intensity of CA12883_MINNIE-WWW-LuxM



Relative intensity of CA12883_MINNIE-WWW_(Duris_S10)



D

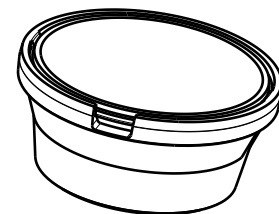
C

B

A

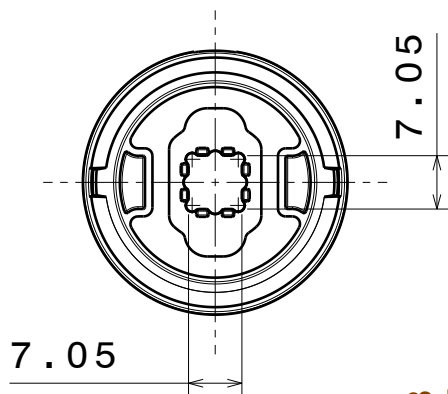
4

4

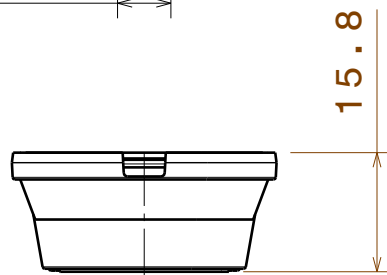


Isometric view

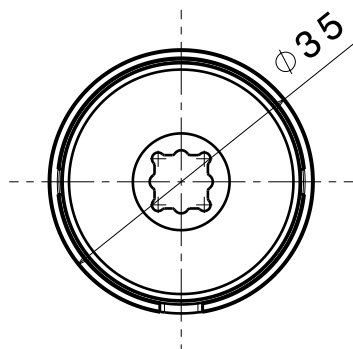
Bottom view



Front view



Top view



3

3

2

2

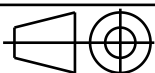
INDEX	PART NO	DESCRIPTION	MATERIAL	COLOUR
1	-	MINNIE_LUXEON-M_ASSEMBLY	Ref1 and holder PC, Tape PU foam	

Tolerances if not otherwise shown
According to DIN ISO 2768-1
Linear measures:
Up to 30mm class M, otherwise class C.
According to DIN ISO 2768-2
Form and position: class L

LEDiL

Ledil Oy
Salorankatu 10
FIN 24240 SALO
Finland

THIRD ANGLE PROJECTION:



DRAWING TITLE

MINNIE_LUXEON-M_ASSEMBLY

This drawing is the property
of LEDiL Oy. It may not be
reproduced, copied or
communicated without a written
agreement with LEDiL Oy."

SIZE PART NUMBER

A4

-

SCALE 1:1 WEIGHT

-

SHEET 1/1

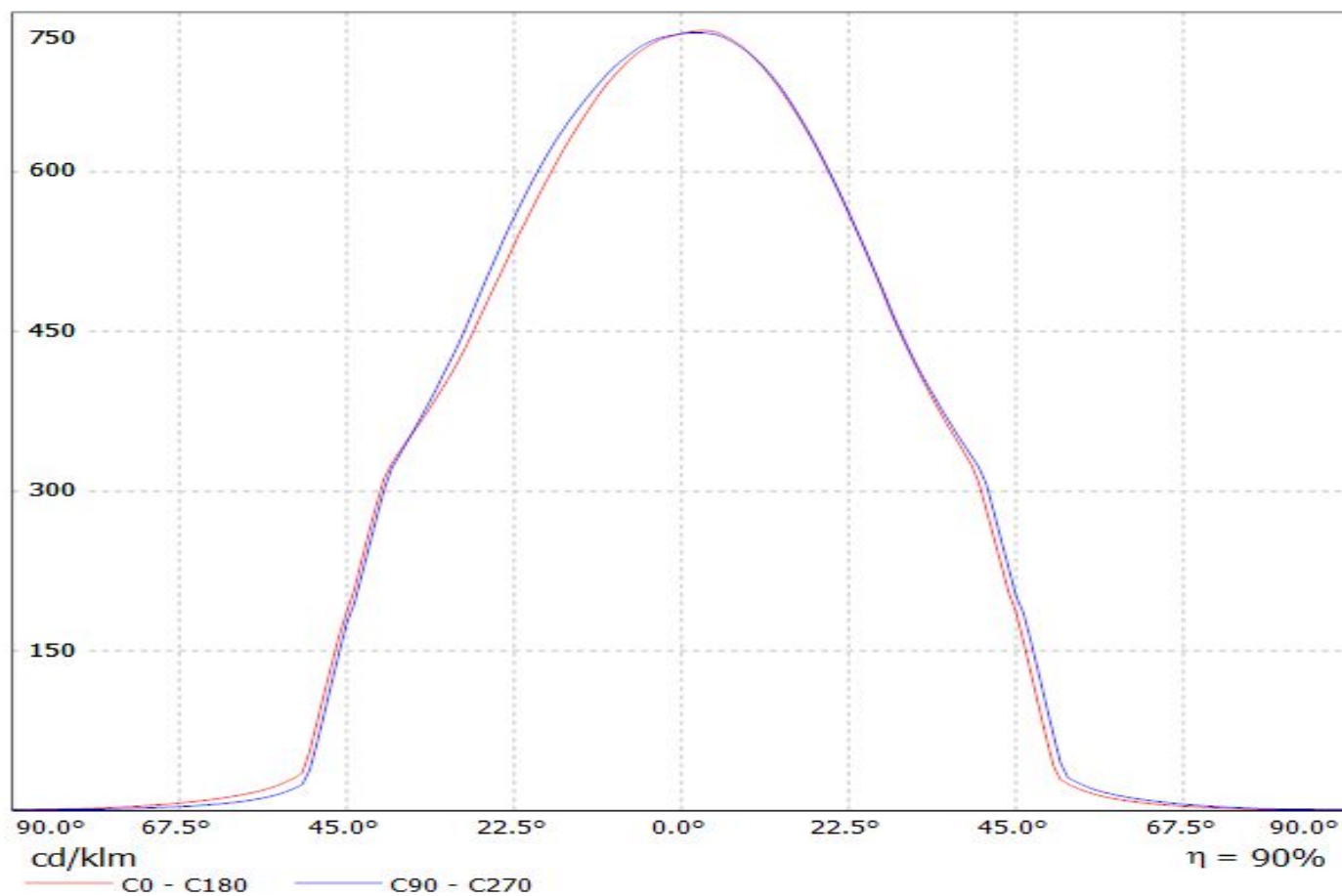
D

A

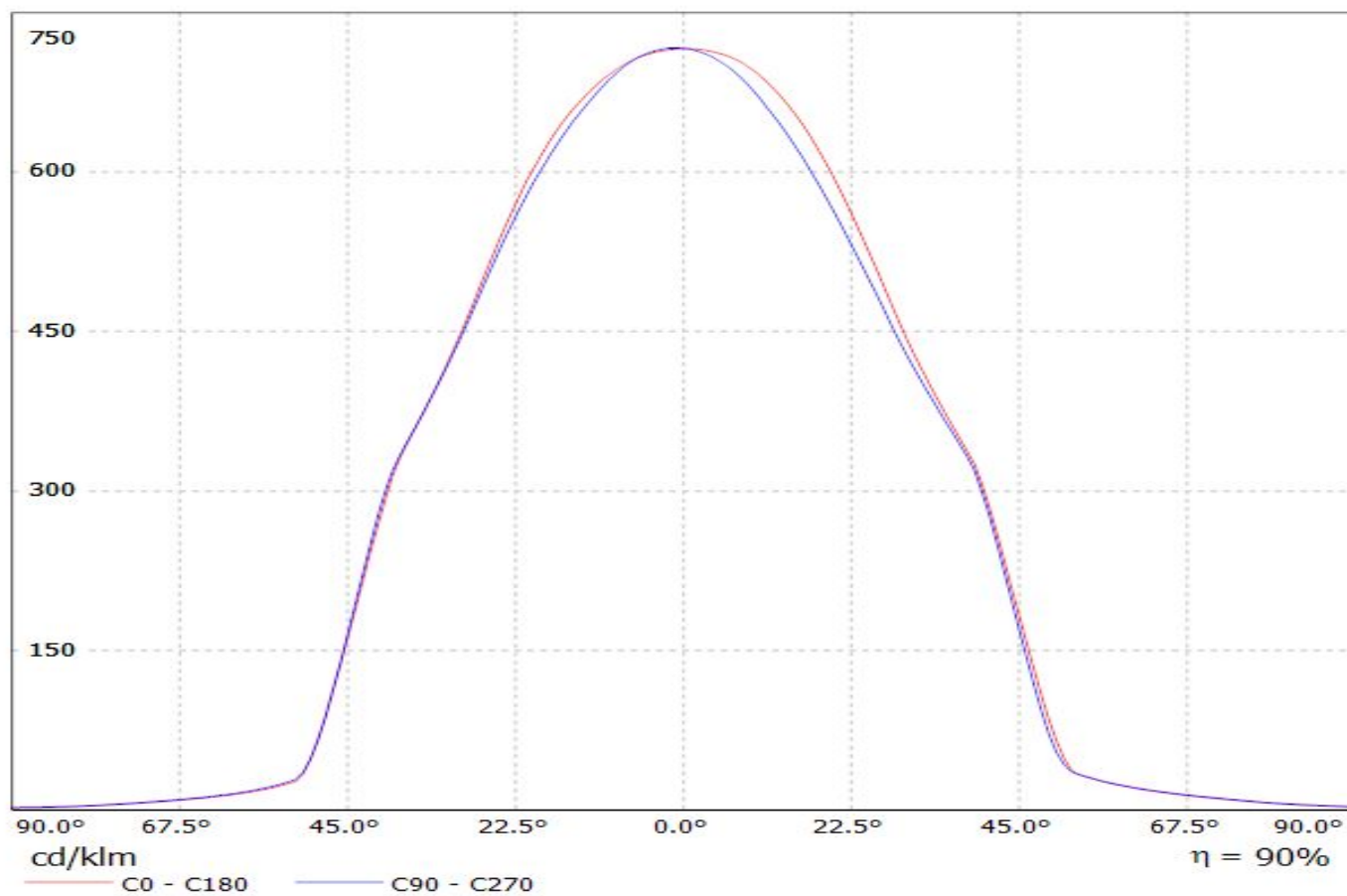
1

1

Luminaire: LEDiL Oy CA12883_MINNIE-WWW_(Cree_XHP70)
Lamps: 1 x Cree_XHP70_261.339lm@250mA_P=1.3827W_I=0.2499A



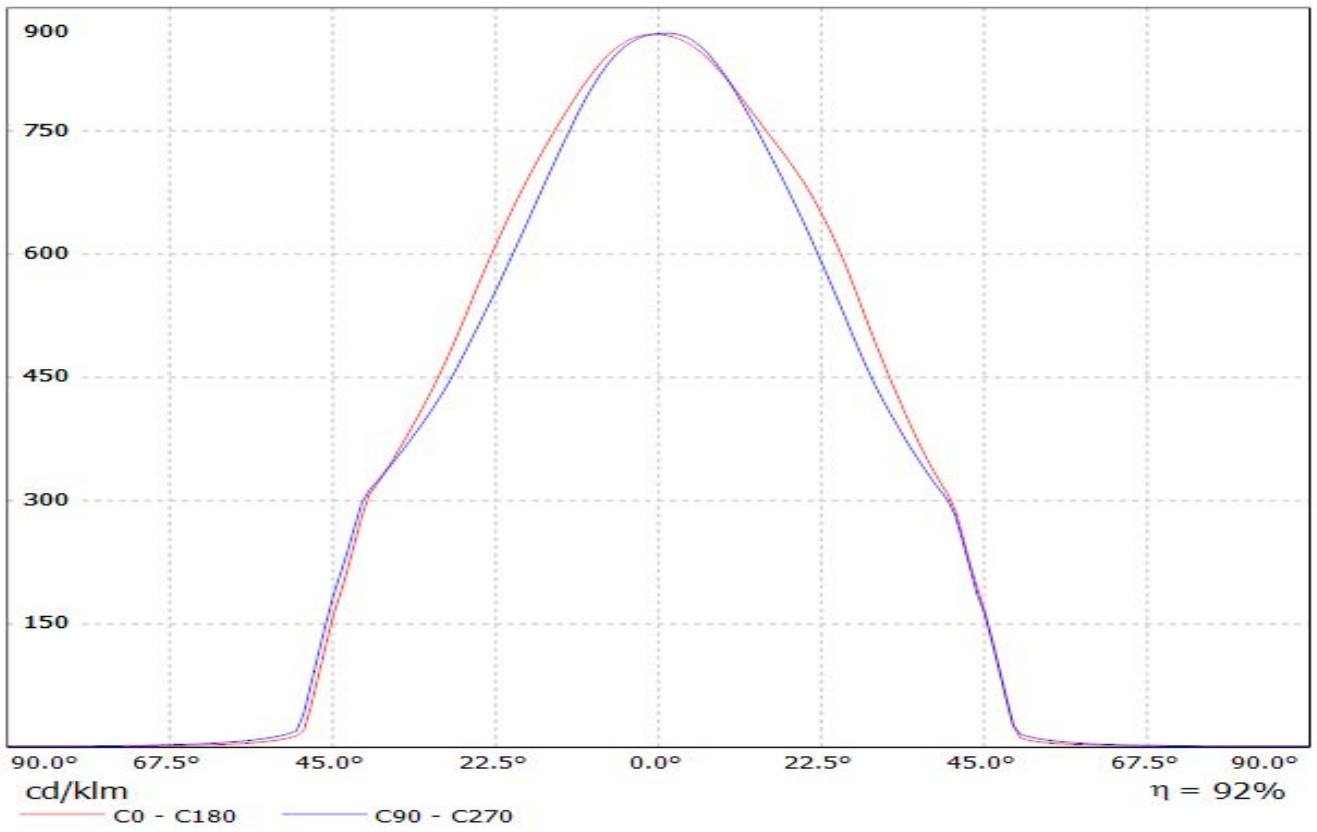
Luminaire: Ledil CA12883_MINNIE-WWW_(MHD-G)
Lamps: 1 x Cree MHD-G_530.44lm@100mA_P=3.0W_I=0.100A



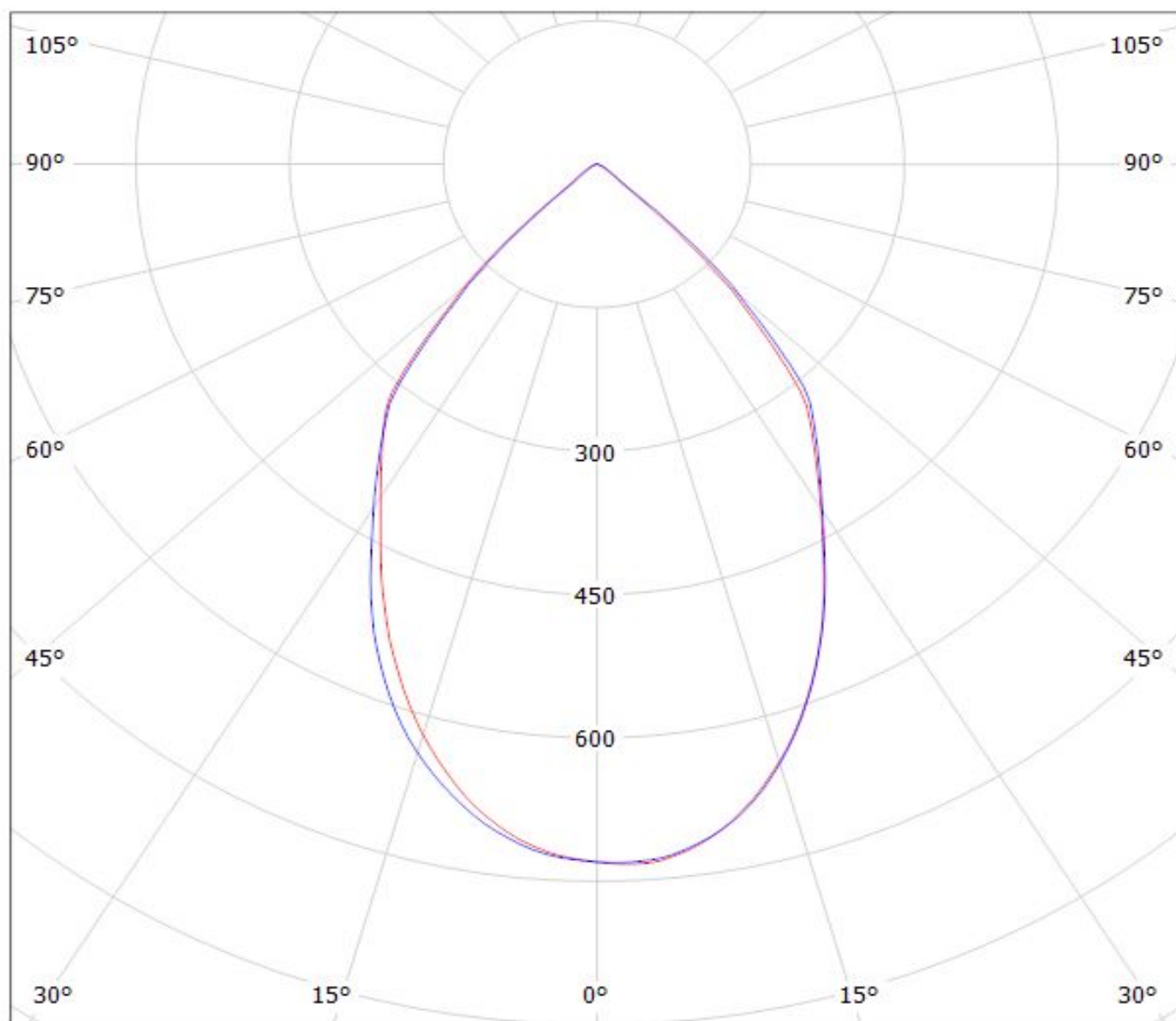
LEDIL OY C12097_MINNIE-WWW_(LUXEON-M) 91.6% / LDC (Linear)

Luminaire: LEDIL OY C12097_MINNIE-WWW_(LUXEON-M) 91.6%

Lamps: 1 x LUXEON-M



Luminaire: LEDiL Oy CA12883_MINNIE-WWW_(Cree_XHP70)
Lamps: 1 x Cree_XHP70_261.339lm@250mA_P=1.3827W_I=0.2499A



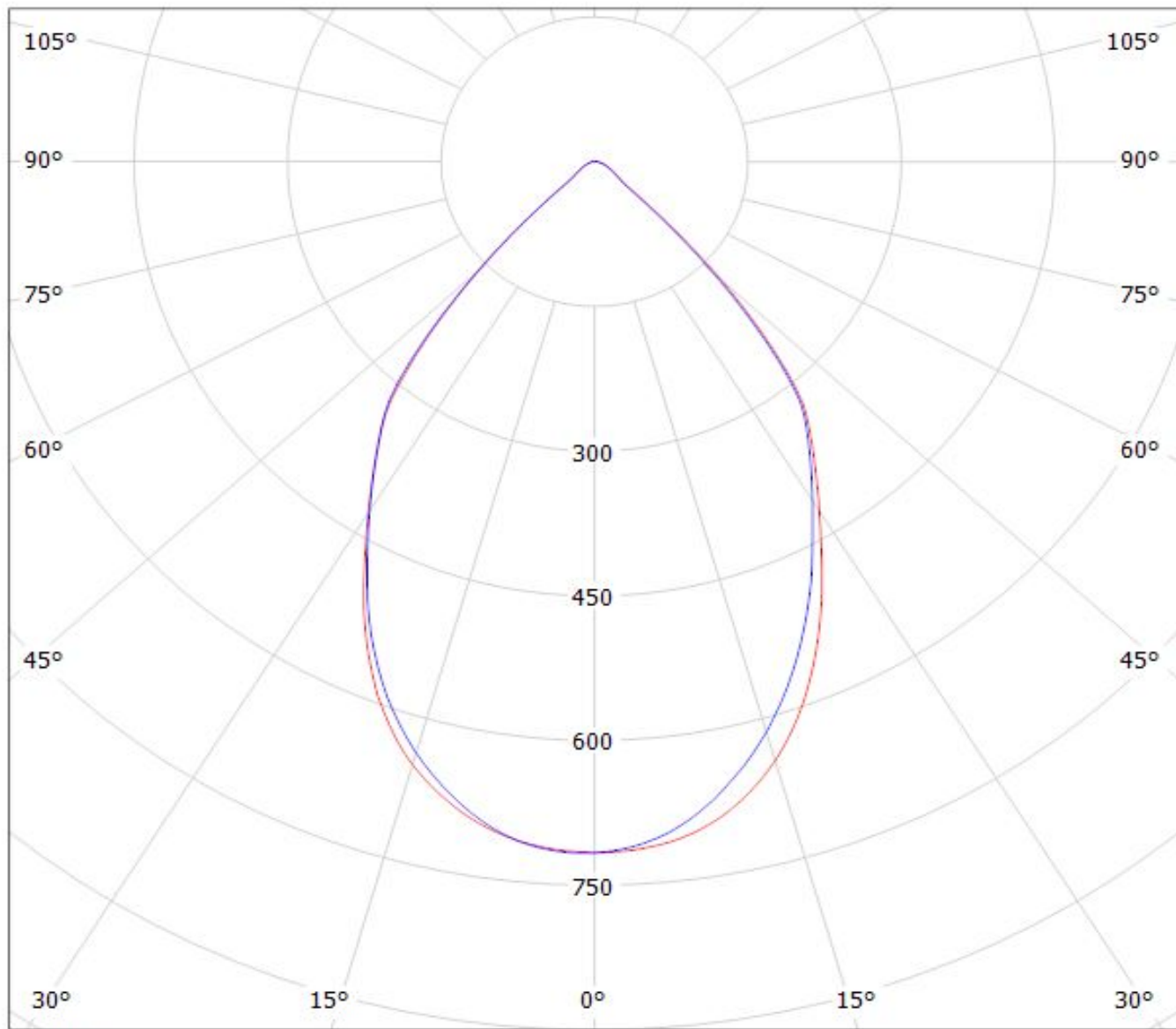
cd/klm

— C0 - C180

— C90 - C270

$\eta = 90\%$

Luminaire: Ledil CA12883_MINNIE-WWW_(MHD-G)
Lamps: 1 x Cree MHD-G_530.44lm@100mA_P=3.0W_I=0.100A

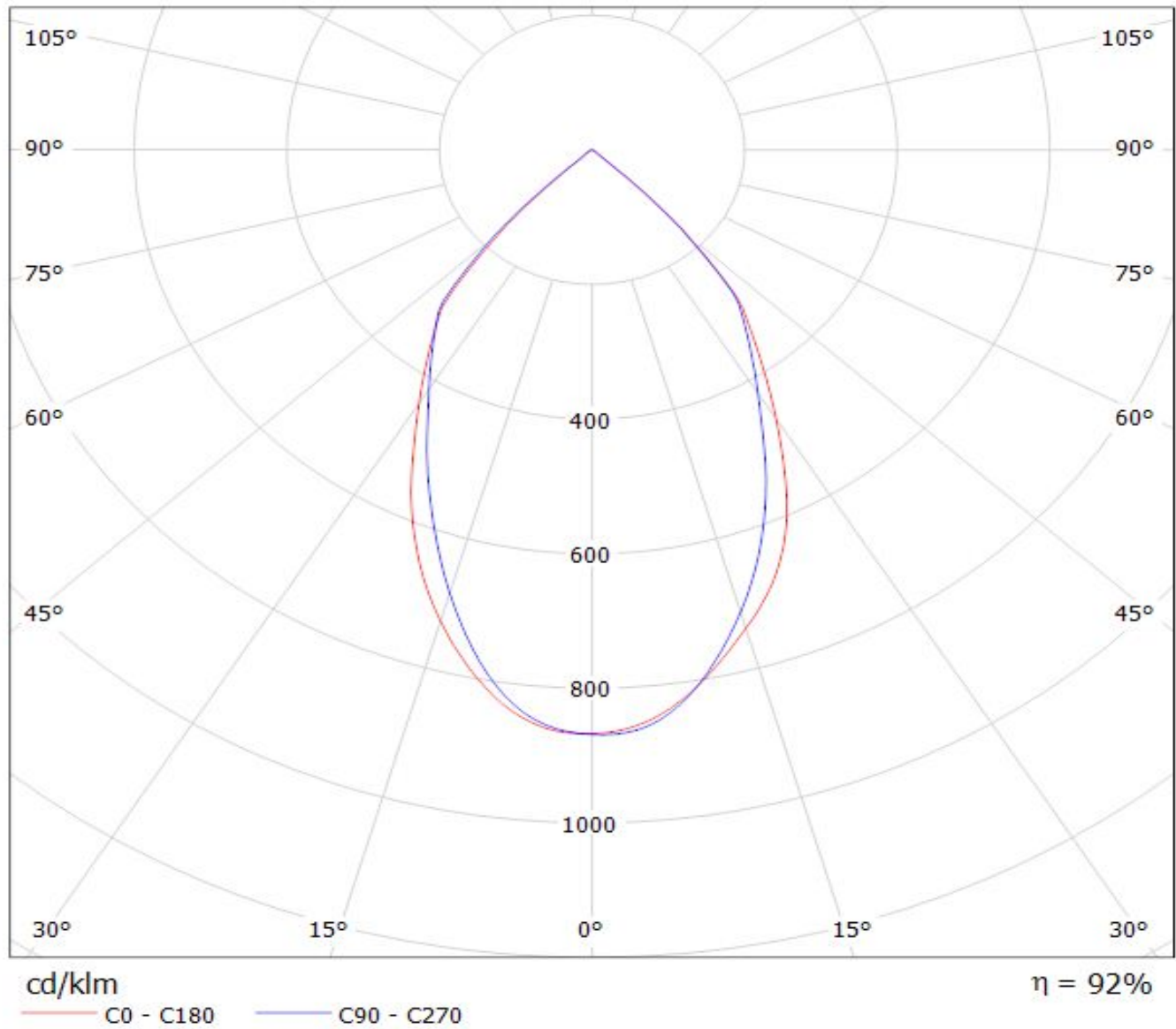


cd/klm η = 90%
— C0 - C180 — C90 - C270

LEDIL OY C12097_MINNIE-WWW_(LUXEON-M) 91.6% / LDC (Polar)

Luminaire: LEDIL OY C12097_MINNIE-WWW_(LUXEON-M) 91.6%

Lamps: 1 x LUXEON-M



NOTE: The typical divergence will be changed by different color, chip size and chip position tolerance. The typical total divergence is the full angle measured where the luminous intensity is half of the peak value.