

CMOS Manchester Encoder-Decoder

The HD-6409 Manchester Encoder-Decoder (MED) is a high speed, low power device manufactured using self-aligned silicon gate technology. The device is intended for use in serial data communication, and can be operated in either of two modes. In the converter mode, the MED converts Non return-to-Zero code (NRZ) into Manchester code and decodes Manchester code into Nonreturn-to-Zero code. For serial data communication, Manchester code does not have some of the deficiencies inherent in Nonreturn-to-Zero code. For instance, use of the MED on a serial line eliminates DC components, provides clock recovery, and gives a relatively high degree of noise immunity. Because the MED converts the most commonly used code (NRZ) to Manchester code, the advantages of using Manchester code are easily realized in a serial data link.

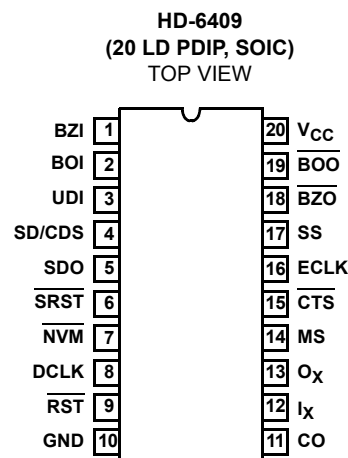
In the Repeater mode, the MED accepts Manchester code input and reconstructs it with a recovered clock. This minimizes the effects of noise on a serial data link. A digital phase lock loop generates the recovered clock. A maximum data rate of 1MHz requires only 50mW of power.

Manchester code is used in magnetic tape recording and in fiber optic communication, and generally is used where data accuracy is imperative. Because it frames blocks of data, the HD-6409 easily interfaces to protocol controllers.

Features

- Converter or Repeater Mode
- Independent Manchester Encoder and Decoder Operation
- Static to One Megabit/sec Data Rate Guaranteed
- Low Bit Error Rate
- Digital PLL Clock Recovery
- On Chip Oscillator
- Low Operating Power: 50mW Typical at +5V
- Pb-Free Available (RoHS Compliant)

Pinout



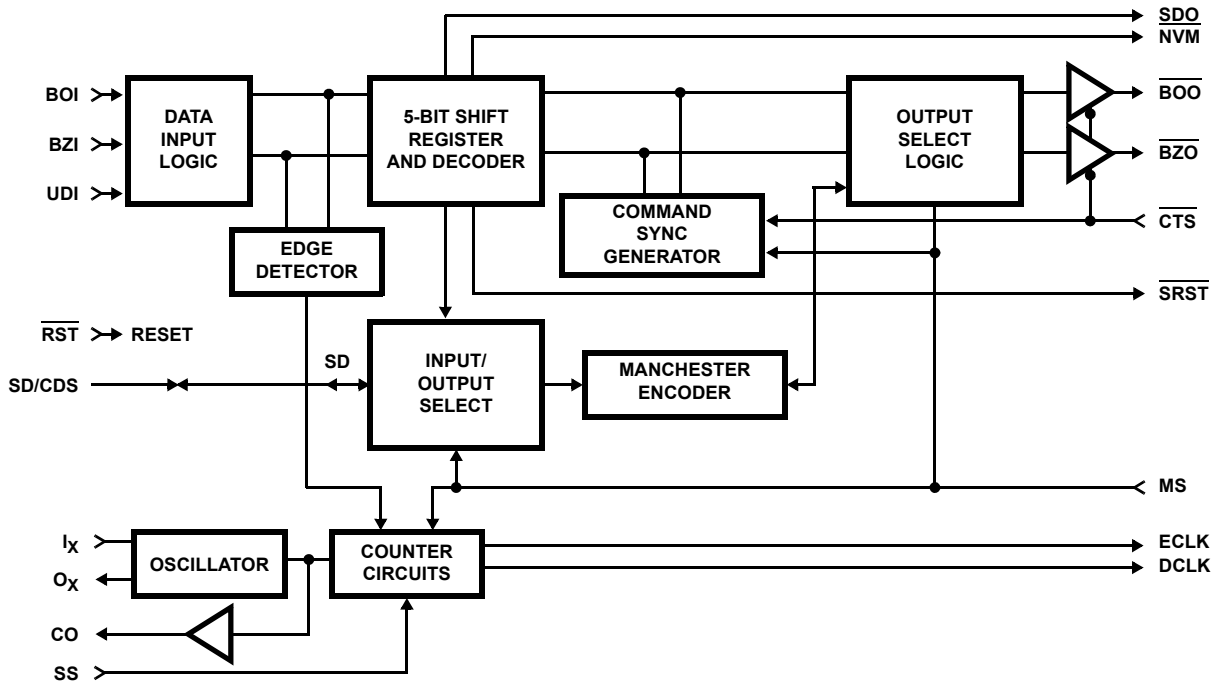
Ordering Information

PART NUMBER (1 MEGABIT/SEC)	PART MARKING	TEMP. RANGE (°C)	PACKAGE	PKG. DWG. #
HD3-6409-9	HD3-6409-9	-40 to +85	20 Ld PDIP	E20.3
HD3-6409-9Z (Notes 2, 3)	HD3-6409-9Z	-40 to +85	20 Ld PDIP (Pb-free)	E20.3
HD9P6409-9Z (Notes 2, 3)	HD9P6409-9Z	-40 to +85	20 Ld SOIC (Pb-free)	M20.3
HD9P6409-9Z96 (Notes 1, 2, 3)	HD9P6409-9Z	-40 to +85	20 Ld SOIC Tape & Reel (Pb-free)	M20.3

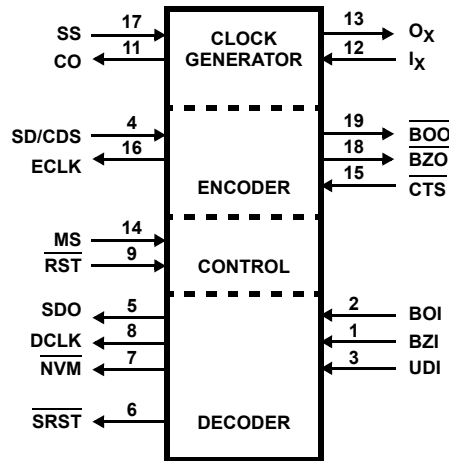
NOTES:

1. "96" suffix is for tape and reel. Please refer to TB347 for details on reel specifications.
2. These Intersil Pb-free plastic packaged products employ special Pb-free material sets, molding compounds/die attach materials, and 100% matte tin plate plus anneal (e3 termination finish, which is RoHS compliant and compatible with both SnPb and Pb-free soldering operations). Intersil Pb-free products are MSL classified at Pb-free peak reflow temperatures that meet or exceed the Pb-free requirements of IPC/JEDEC J STD-020.
3. Pb-free PDIPs can be used for through hole wave solder processing only. They are not intended for use in Reflow solder processing applications.

Block Diagram



Logic Symbol



Pin Descriptions

PIN NUMBER	TYPE	SYMBOL	NAME	DESCRIPTION
1	I	BZI	Bipolar Zero Input	Used in conjunction with pin 2, Bipolar One Input (BOI), to input Manchester II encoded data to the decoder, BZI and BOI are logical complements. When using pin 3, Unipolar Data Input (UDI) for data input, BZI must be held high.
2	I	BOI	Bipolar One Input	Used in conjunction with pin 1, Bipolar Zero Input (BZI), to input Manchester II encoded data to the decoder, BOI and BZI are logical complements. When using pin 3, Unipolar Data Input (UDI) for data input, BOI must be held low.
3	I	UDI	Unipolar Data Input	An alternate to bipolar input (BZI, BOI), Unipolar Data Input (UDI) is used to input Manchester II encoded data to the decoder. When using pin 1 (BZI) and pin 2 (BOI) for data input, UDI must be held low.
4	I/O	SD/CDS	Serial Data/Command Data Sync	In the converter mode, SD/CDS is an input used to receive serial NRZ data. NRZ data is accepted synchronously on the falling edge of encoder clock output (ECLK). In the repeater mode, SD/CDS is an output indicating the status of last valid sync pattern received. A high indicates a command sync and a low indicates a data sync pattern.
5	O	SDO	Serial Data Out	The decoded serial NRZ data is transmitted out synchronously with the decoder clock (DCLK). SDO is forced low when RST is low.
6	O	SRST	Serial Reset	In the converter mode, SRST follows RST. In the repeater mode, when RST goes low, SRST goes low and remains low after RST goes high. SRST goes high only when RST is high, the reset bit is zero, and a valid synchronization sequence is received.
7	O	NVM	Nonvalid Manchester	A low on NVM indicates that the decoder has received invalid Manchester data and present data on Serial Data Out (SDO) is invalid. A high indicates that the sync pulse and data were valid and SDO is valid. NVM is set low by a low on RST, and remains low after RST goes high until valid sync pulse followed by two valid Manchester bits is received.
8	O	DCLK	Decoder Clock	The decoder clock is a 1X clock recovered from BZI and BOI, or UDI to synchronously output received NRZ data (SDO).
9	I	RST	Reset	In the converter mode, a low on RST forces SDO, DCLK, NVM, and SRST low. A high on RST enables SDO and DCLK, and forces SRST high. NVM remains low after RST goes high until a valid sync pulse followed by two Manchester bits is received, after which it goes high. In the repeater mode, RST has the same effect on SDO, DCLK and NVM as in the converter mode. When RST goes low, SRST goes low and remains low after RST goes high. SRST goes high only when RST is high, the reset bit is zero and a valid synchronization sequence is received.
10	I	GND	Ground	Ground
11	O	CO	Clock Output	Buffered output of clock input I _X . May be used as clock signal for other peripherals.
12	I	I _X	Clock Input	I _X is the input for an external clock or, if the internal oscillator is used, I _X and O _X are used for the connection of the crystal.
13	O	O _X	Clock Drive	If the internal oscillator is used, O _X and I _X are used for the connection of the crystal.
14	I	MS	Mode Select	MS must be held low for operation in the converter mode, and high for operation in the repeater mode.
15	I	CTS	Clear to Send	In the converter mode, a high disables the encoder, forcing outputs BOO, BZO high and ECLK low. A high to low transition of CTS initiates transmission of a Command sync pulse. A low on CTS enables BOO, BZO, and ECLK. In the repeater mode, the function of CTS is identical to that of the converter mode with the exception that a transition of CTS does not initiate a synchronization sequence.
16	O	ECLK	Encoder Clock	In the converter mode, ECLK is a 1X clock output used to receive serial NRZ data to SD/CDS. In the repeater mode, ECLK is a 2X clock which is recovered from BZI and BOI data by the digital phase locked loop.
17	I	SS	Speed Select	A logic high on SS sets the data rate at 1/32 times the clock frequency while a low sets the data rate at 1/16 times the clock frequency.
18	O	BZO	Bipolar Zero Output	BZO and its logical complement BOO are the Manchester data outputs of the encoder. The inactive state for these outputs is in the high state.
19	O	BOO	Bipolar One Out	See pin 18.
20	I	V _{CC}	V _{CC}	V _{CC} is the +5V power supply pin. A 0.1µF decoupling capacitor from V _{CC} (pin 20) to GND (pin 10) is recommended.

NOTE: (I) Input (O) Output

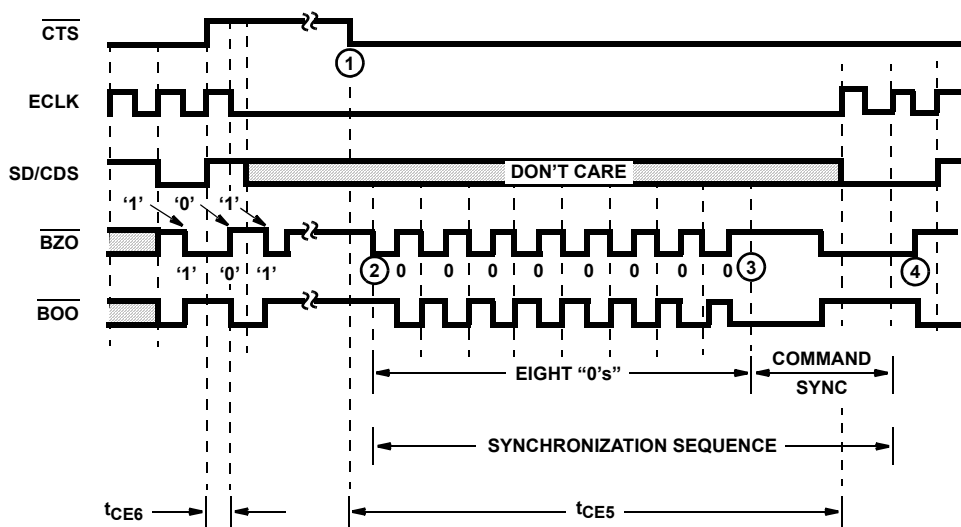


FIGURE 1. ENCODER OPERATION

Encoder Operation

The encoder uses free running clocks at 1X and 2X the data rate derived from the system clock f_x for internal timing. \overline{CTS} is used to control the encoder outputs, ECLK, \overline{BOO} and \overline{BZO} . A free running 1X ECLK is transmitted out of the encoder to drive the external circuits which supply the NRZ data to the MED at pin SD/CDS.

A low on \overline{CTS} enables encoder outputs ECLK, \overline{BOO} and \overline{BZO} , while a high on \overline{CTS} forces \overline{BZO} , \overline{BOO} high and holds ECLK low. When \overline{CTS} goes from high to low (1), a synchronization sequence is transmitted out on \overline{BOO} and \overline{BZO} . A synchronization sequence consists of eight Manchester "0" bits followed by a command sync pulse. (2) A command sync pulse is a 3-bit wide pulse with the first 1 1/2 bits high followed by 1 1/2 bits low. (3) Serial NRZ data is clocked into the encoder at SD/CDS on the high to low transition of ECLK during the command sync pulse. The NRZ data received is encoded into Manchester II data and transmitted out on \overline{BOO} and \overline{BZO} following the command sync pulse. (4) Following the synchronization sequence, input data is encoded and transmitted out continuously without parity check or word framing. The length of the data block encoded is defined by \overline{CTS} . Manchester data out is inverted.

Decoder Operation

The decoder requires a single clock with a frequency 16X or 32X the desired data rate. The rate is selected on the speed select with SS low producing a 16X clock and high a 32X clock. For long data links the 32X mode should be used as this permits a wider timing jitter margin. The internal operation of the decoder utilizes a free running clock synchronized with incoming data for its clocking.

The Manchester II encoded data can be presented to the decoder in either of two ways. The Bipolar One and Bipolar

Zero inputs will accept data from differential inputs such as a comparator sensed transformer coupled bus. The Unipolar Data input can only accept noninverted Manchester II encoded data i.e. Bipolar One Out through an inverter to Unipolar Data Input. The decoder continuously monitors this data input for valid sync pattern. Note that while the MED encoder section can generate only a command sync pattern, the decoder can recognize either a command or data sync pattern. A data sync is a logically inverted command sync.

There is a three bit delay between UDI, BOI, or BZI input and the decoded NRZ data transmitted out of SDO.

Control of the decoder outputs is provided by the \overline{RST} pin. When \overline{RST} is low, SDO, DCLK and \overline{NVM} are forced low. When \overline{RST} is high, SDO is transmitted out synchronously with the recovered clock DCLK. The \overline{NVM} output remains low after a low to high transition on \overline{RST} until a valid sync pattern is received.

The decoded data at SDO is in NRZ format. DCLK is provided so that the decoded bits can be shifted into an external register on every high to low transition of this clock. Three bit periods after an invalid Manchester bit is received on UDI, or BOI, \overline{NVM} goes low synchronously with the questionable data output on SDO. FURTHER, THE DECODER DOES NOT RE-ESTABLISH PROPER DATA DECODING UNTIL ANOTHER SYNC PATTERN IS RECOGNIZED.

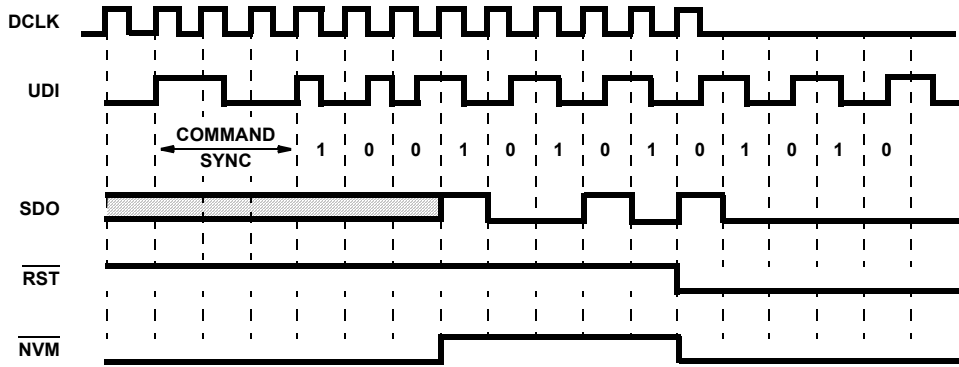


FIGURE 2. DECODER OPERATION

Repeater Operation

Manchester II data can be presented to the repeater in either of two ways. The inputs Bipolar One In and Bipolar Zero In will accept data from differential inputs such as a comparator or sensed transformer coupled bus. The input Unipolar Data In accepts only noninverted Manchester II coded data. The decoder requires a single clock with a frequency 16X or 32X the desired data rate. This clock is selected to 16X with Speed Select low and 32X with Speed Select high. For long data links the 32X mode should be used as this permits a wider timing jitter margin.

The inputs UDI, or BOI, BZI are delayed approximately 1/2 bit period and repeated as outputs BOO and BZO. The 2X ECLK is transmitted out of the repeater synchronously with BOO and BZO.

A low on $\overline{\text{CTS}}$ enables ECLK, $\overline{\text{BOO}}$, and $\overline{\text{BZO}}$. In contrast to the converter mode, a transition on CTS does not initiate a synchronization sequence of eight 0's and a command sync. The repeater mode does recognize a command or data sync pulse. SD/CDS is an output which reflects the state of the most recent sync pulse received, with high indicating a command sync and low indicating a data sync.

When $\overline{\text{RST}}$ is low, the outputs SDO, DCLK, and $\overline{\text{NVM}}$ are low, and $\overline{\text{SRST}}$ is set low. $\overline{\text{SRST}}$ remains low after $\overline{\text{RST}}$ goes high and is not reset until a sync pulse and two valid manchester bits are received with the reset bit low. The reset bit is the first data bit after the sync pulse. With RST high, NRZ Data is transmitted out of Serial Data Out synchronously with the 1X DCLK.

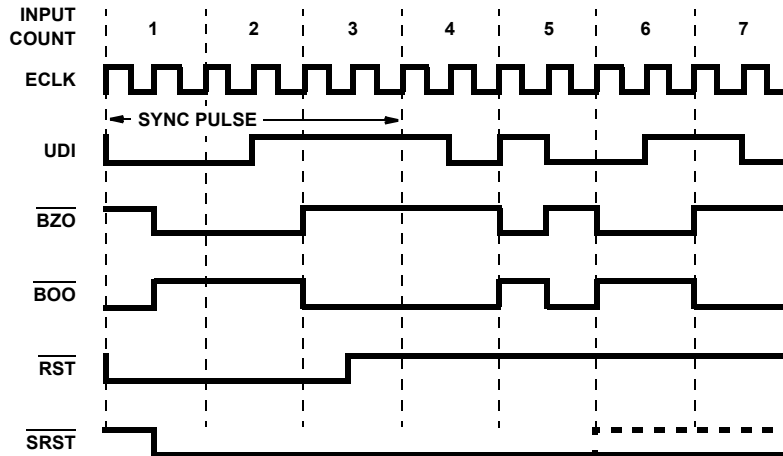


FIGURE 3. REPEATER OPERATION

Manchester Code

Nonreturn-to-Zero (NRZ) code represents the binary values logic-0 and logic-1 with a static level maintained throughout the data cell. In contrast, Manchester code represents data with a level transition in the middle of the data cell.

Manchester has bandwidth, error detection, and synchronization advantages over NRZ code.

The Manchester II code Bipolar One and Bipolar Zero shown below are logical complements. The direction of the transition indicates the binary value of data. A logic-0 in Bipolar One is defined as a Low to high transition in the middle of the data cell, and a logic-1 as a high to low mid bit transition, Manchester II is also known as Biphas-L code.

The bandwidth of NRZ is from DC to the clock frequency $f_c/2$, while that of Manchester is from $f_c/2$ to f_c . Thus, Manchester can be AC or transformer coupled, which has considerable advantages over DC coupling. Also, the ratio of maximum to minimum frequency of Manchester extends one octave, while the ratio for NRZ is the range of 5 to 10 octaves. It is much easier to design a narrow band than a wideband amp.

Secondly, the mid bit transition in each data cell provides the code with an effective error detection scheme. If noise produces a logic inversion in the data cell such that there is no transition, an error indication is given, and synchronization

must be re-established. This places relatively stringent requirements on the incoming data.

The synchronization advantages of using the HD-6409 and Manchester code are several fold. One is that Manchester is a self clocking code. The clock in serial data communication defines the position of each data cell. Non self clocking codes, as NRZ, often require an extra clock wire or clock track (in magnetic recording). Further, there can be a phase variation between the clock and data track. Crosstalk between the two may be a problem. In Manchester, the serial data stream contains both the clock and the data, with the position of the mid bit transition representing the clock, and the direction of the transition representing data. There is no phase variation between the clock and the data.

A second synchronization advantage is a result of the number of transitions in the data. The decoder resynchronizes on each transition, or at least once every data cell. In contrast, receivers using NRZ, which does not necessarily have transitions, must resynchronize on frame bit transitions, which occur far less often, usually on a character basis. This more frequent resynchronization eliminates the cumulative effect of errors over successive data cells. A final synchronization advantage concerns the HD-6409's sync pulse used to initiate synchronization. This three bit wide pattern is sufficiently distinct from Manchester data that a false start by the receiver is unlikely.

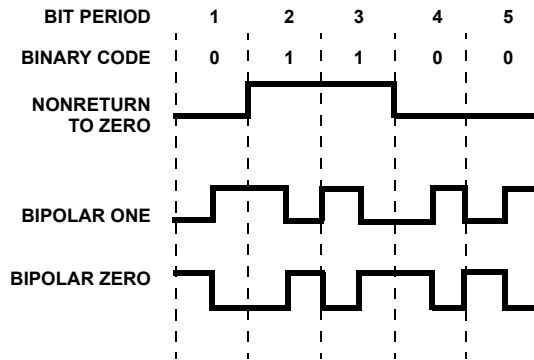


FIGURE 4. MANCHESTER CODE

Crystal Oscillator Mode

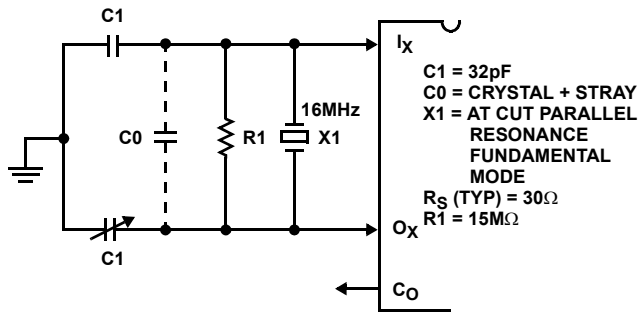


FIGURE 5. CRYSTAL OSCILLATOR MODE

LC Oscillator Mode

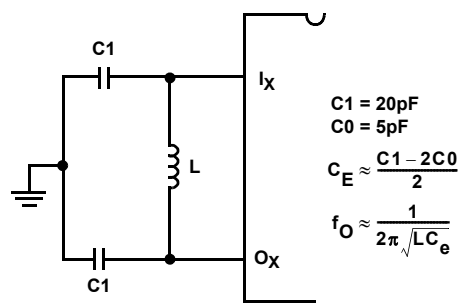


FIGURE 6. LC OSCILLATOR MODE

Using the 6409 as a Manchester Encoded UART

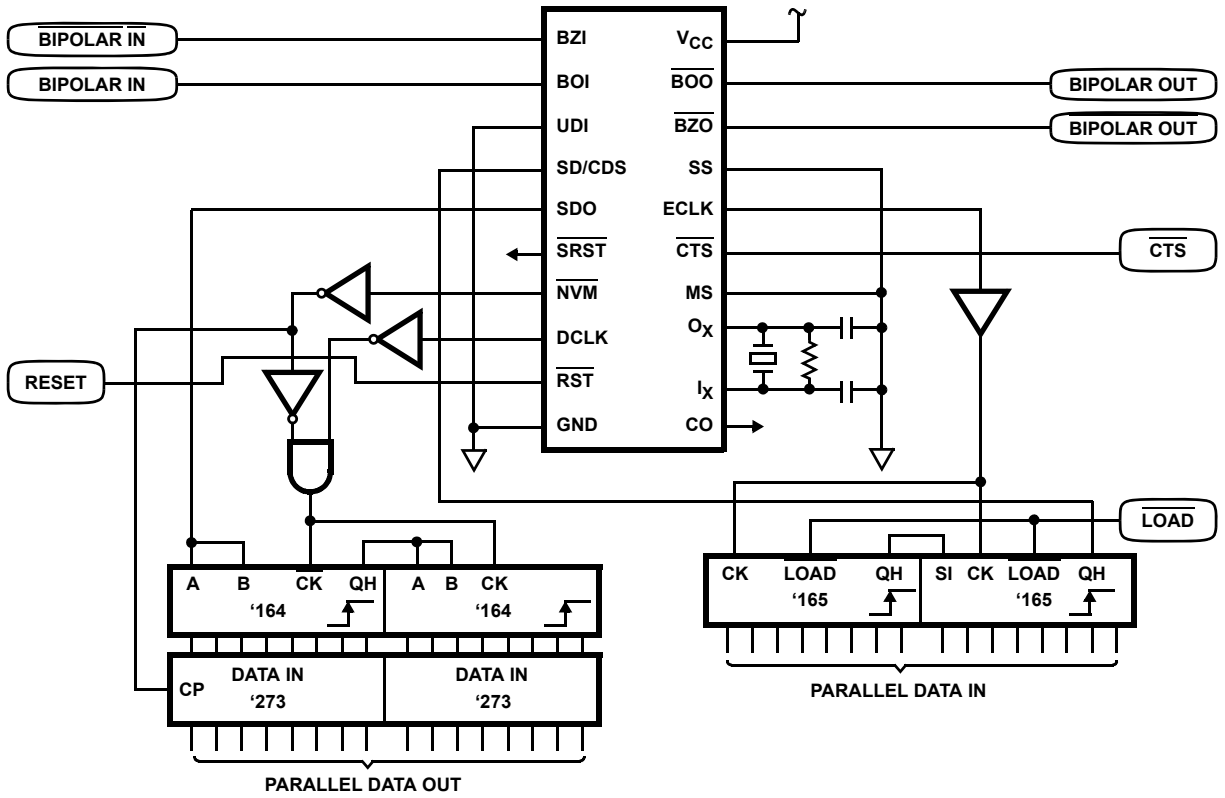


FIGURE 7. MANCHESTER ENCODER UART

Absolute Maximum Ratings

Supply Voltage	+7.0V
Input, Output or I/O Voltage	GND -0.5V to V _{CC} +0.5V
ESD Classification	Class 1

Operating Conditions

Operating Temperature Range	-40°C to +85°C
Operating Voltage Range	+4.5V to +5.5V
Input Rise and Fall Times	50ns Max
Sync. Transition Span (t ₂)	1.5 DBP Typical, (Notes 1, 2)
Short Data Transition Span (t ₄)	0.5DBP Typical, (Notes 1, 2)
Long Data Transition Span (t ₅)	1.0DBP Typical, (Notes 1, 2)
Zero Crossing Tolerance (t _{CD5})	(Note 3)

Thermal Information

Thermal Resistance (Typical, Note 4)	θ_{JA} (°C/W)	θ_{JC} (°C/W)
PDIP Package	75	N/A
SOIC Package	100	N/A
Storage Temperature Range	-65°C to +150°C	
Maximum Junction Temperature		
Ceramic Package	+175°C	
Plastic Package	+150°C	
Pb-free reflow profile	see link below	
	http://www.intersil.com/pbfree/Pb-FreeReflow.asp	
*Pb-free PDIPs can be used for through hole wave solder processing only. They are not intended for use in Reflow solder processing applications.		

Die Characteristics

Gate Count	.250 Gates
------------	------------

CAUTION: Do not operate at or near the maximum ratings listed for extended periods of time. Exposure to such conditions may adversely impact product reliability and result in failures not covered by warranty.

NOTES:

1. DBP-Data Bit Period, Clock Rate = 16X, one DBP = 16 Clock Cycles; Clock Rate = 32X, one DBP = 32 Clock Cycles.
2. The input conditions specified are nominal values, the actual input waveforms transition spans may vary by $\pm 2 I_X$ clock cycles (16X mode) or $\pm 6 I_X$ clock cycles (32X mode).
3. The maximum zero crossing tolerance is $\pm 2 I_X$ clock cycles (16X mode) or $\pm 6 I_X$ clock cycles (32 mode) from the nominal.
4. θ_{JA} is measured with the component mounted on a high effective thermal conductivity test board in free air. See Tech Brief TB379 for details.

Common Electrical Specifications

Parameters with MIN and/or MAX limits are 100% tested at +25°C, unless otherwise specified. Temperature limits established by characterization and are not production tested.

DC Electrical Specifications V_{CC} = 5.0V \pm 10%, T_A = -40°C to +85°C (HD-6409-9).

SYMBOL	PARAMETER	TEST CONDITIONS (Note 5)	MIN	MAX	UNITS
V _{IH}	Logical "1" Input Voltage	V _{CC} = 4.5V	70% V _{CC}	-	V
V _{IL}	Logical "0" Input Voltage	V _{CC} = 4.5V	-	20% V _{CC}	V
V _{IHR}	Logic "1" Input Voltage ($\overline{\text{Reset}}$)	V _{CC} = 5.5V	V _{CC} -0.5	-	V
V _{ILR}	Logic "0" Input Voltage ($\overline{\text{Reset}}$)	V _{CC} = 4.5V	-	GND +0.5	V
V _{IHC}	Logical "1" Input Voltage (Clock)	V _{CC} = 5.5V	V _{CC} -0.5	-	V
V _{ILC}	Logical "0" Input Voltage (Clock)	V _{CC} = 4.5V	-	GND +0.5	V
I _I	Input Leakage Current (Except I _X)	V _{IN} = V _{CC} or GND, V _{CC} = 5.5V	-1.0	+1.0	μ A
I _I	Input Leakage Current (I _X)	V _{IN} = V _{CC} or GND, V _{CC} = 5.5V	-20	+20	μ A
I _O	I/O Leakage Current	V _{OUT} = V _{CC} or GND, V _{CC} = 5.5V	-10	+10	μ A
V _{OH}	Output HIGH Voltage (All Except O _X)	I _{OH} = -2.0mA, V _{CC} = 4.5V (Note 6)	V _{CC} -0.4	-	V
V _{OL}	Output LOW Voltage (All Except O _X)	I _{OL} = +2.0mA, V _{CC} = 4.5V (Note 6)	-	0.4	V
I _{CCSB}	Standby Power Supply Current	V _{IN} = V _{CC} or GND, V _{CC} = 5.5V, Outputs Open	-	100	μ A
I _{CCOP}	Operating Power Supply Current	f = 16.0MHz, V _{IN} = V _{CC} or GND, V _{CC} = 5.5V, C _L = 50pF	-	18.0	mA
F _T	Functional Test	(Note 5)	-	-	-

NOTES:

5. Tested as follows: f = 16MHz, V_{IH} = 70% V_{CC}, V_{IL} = 20% V_{CC}, V_{OH} \geq V_{CC}/2, and V_{OL} \leq V_{CC}/2, V_{CC} = 4.5V and 5.5V.
6. Interchanging of force and sense conditions is permitted

Capacitance $T_A = +25^\circ\text{C}$, Frequency = 1MHz.

SYMBOL	PARAMETER	TEST CONDITIONS	TYP	UNITS
C_{IN}	Input Capacitance	All measurements are referenced to device GND	10	pF
C_{OUT}	Output Capacitance		12	pF

AC Electrical Specifications $V_{CC} = 5.0V \pm 10\%$, $T_A = -40^\circ\text{C}$ to $+85^\circ\text{C}$ (HD-6409-9).

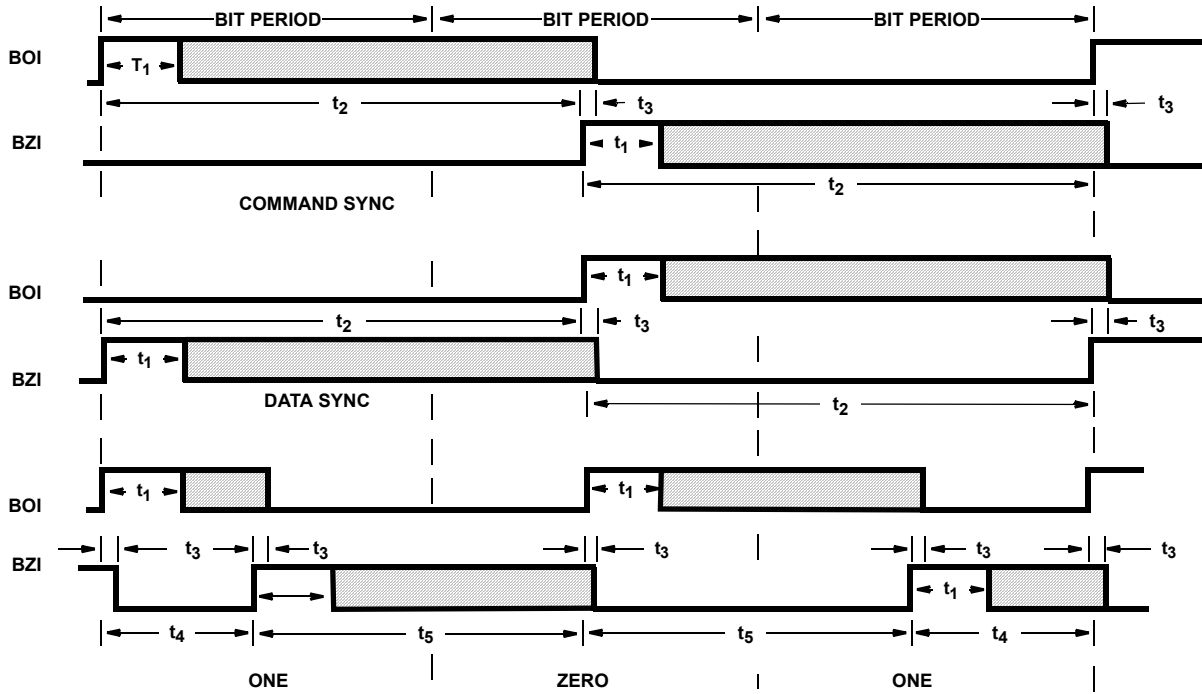
SYMBOL	PARAMETER	TEST CONDITIONS (Note 7)	MIN	MAX	UNITS
f_C	Clock Frequency	-	-	16	MHz
t_C	Clock Period	-	$1/f_C$	-	sec
t_1	Bipolar Pulse Width	-	t_C+10	-	ns
t_3	One-Zero Overlap	-	-	t_C-10	ns
t_{CH}	Clock High Time	$f = 16.0\text{MHz}$	20	-	ns
t_{CL}	Clock Low Time	$f = 16.0\text{MHz}$	20	-	ns
t_{CE1}	Serial Data Setup Time	-	120	-	ns
t_{CE2}	Serial Data Hold Time	-	0	-	ns
t_{CD2}	DCLK to \overline{SDO} , \overline{NVM}	-	-	40	ns
t_{R2}	ECLK to \overline{BZO}	-	-	40	ns
t_r	Output Rise Time (All except Clock)	From 1.0V to 3.5V, $C_L = 50\text{pF}$, Note 8	-	50	ns
t_f	Output Fall Time (All except Clock)	From 3.5V to 1.0V, $C_L = 50\text{pF}$, Note 8	-	50	ns
t_r	Clock Output Rise Time	From 1.0V to 3.5V, $C_L = 20\text{pF}$, Note 8	-	11	ns
t_f	Clock Output Fall Time	From 3.5V to 1.0V, $C_L = 20\text{pF}$, Note 8	-	11	ns
t_{CE3}	ECLK to \overline{BZO} , \overline{BOO}	Notes 8, 9	0.5	1.0	DBP
t_{CE4}	\overline{CTS} Low to \overline{BZO} , \overline{BOO} Enabled	Notes 8, 9	0.5	1.5	DBP
t_{CE5}	\overline{CTS} Low to ECLK Enabled	Notes 8, 9	10.5	11.5	DBP
t_{CE6}	\overline{CTS} High to ECLK Disabled	Notes 8, 9	-	1.0	DBP
t_{CE7}	\overline{CTS} High to \overline{BZO} , \overline{BOO} Disabled	Notes 8, 9	1.5	2.5	DBP
t_{CD1}	UDI to \overline{SDO} , \overline{NVM}	Notes 8, 9	2.5	3.0	DBP
t_{CD3}	\overline{RST} Low to CDCLK, \overline{SDO} , \overline{NVM} Low	Notes 8, 9	0.5	1.5	DBP
t_{CD4}	\overline{RST} High to DCLK, Enabled	Notes 8, 9	0.5	1.5	DBP
t_{R1}	UDI to \overline{BZO} , \overline{BOO}	Notes 8, 9	0.5	1.0	DBP
t_{R3}	UDI to \overline{SDO} , \overline{NVM}	Notes 8, 9	2.5	3.0	DBP

NOTES:

- AC testing as follows: $f = 4.0\text{MHz}$, $V_{IH} = 70\% V_{CC}$, $V_{IL} = 20\% V_{CC}$, Speed Select = 16X, $V_{OH} \geq V_{CC}/2$, $V_{OL} \leq V_{CC}/2$, $V_{CC} = 4.5V$ and $5.5V$. Input rise and fall times driven at 1ns/V, Output load = 50pF.
- Limits established by characterization and are not production tested.
- DBP-Data Bit Period, Clock Rate = 16X, one DBP = 16 Clock Cycles; Clock Rate = 32X, one DBP = 32 Clock Cycles.

Timing Waveforms

NOTE: UDI = 0, FOR NEXT DIAGRAMS



NOTE: BOI = 0, BZI = 1 FOR NEXT DIAGRAMS

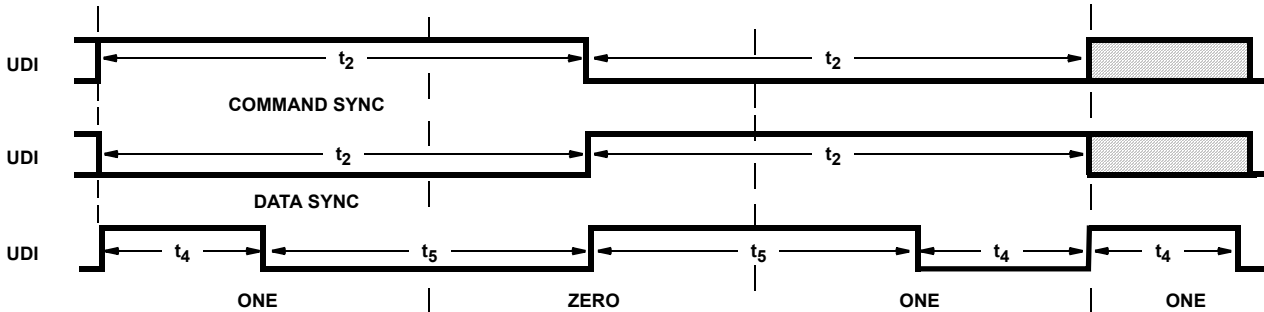


FIGURE 8.

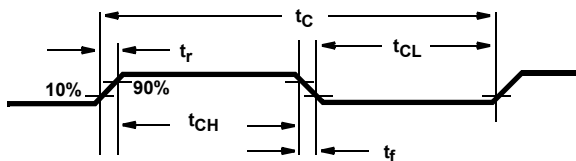


FIGURE 9. CLOCK TIMING

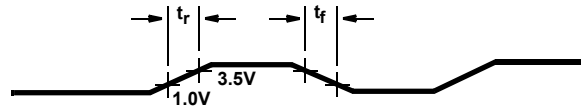


FIGURE 10. OUTPUT WAVEFORM

Timing Waveforms (Continued)

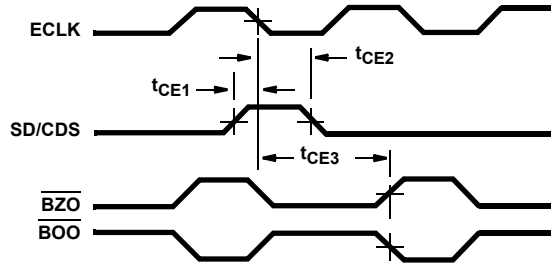


FIGURE 11. ENCODER TIMING

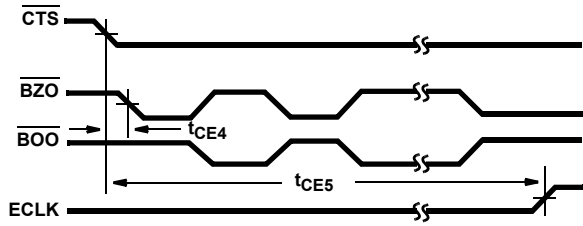


FIGURE 12. ENCODER TIMING

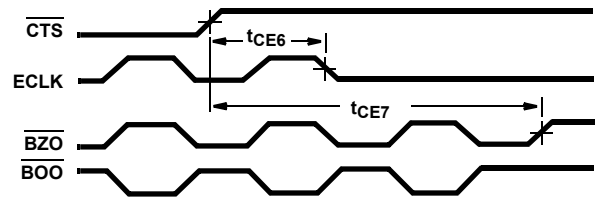
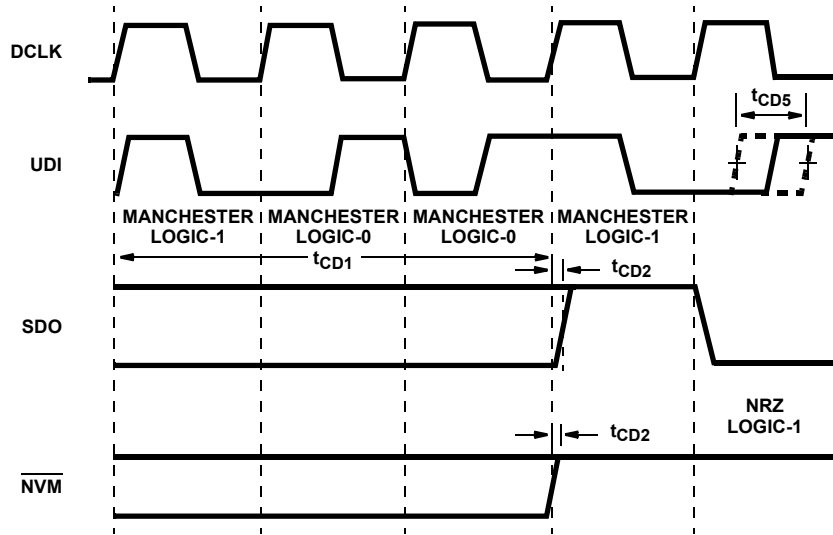


FIGURE 13. ENCODER TIMING



NOTE: Manchester Data-In is not synchronous with Decoder Clock.
Decoder Clock is synchronous with decoded NRZ out of SDO.

FIGURE 14. DECODER TIMING

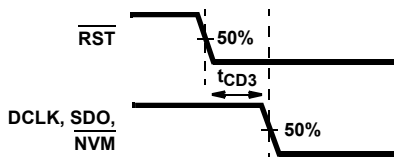


FIGURE 15. DECODER TIMING

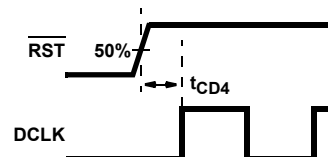


FIGURE 16. DECODER TIMING

Timing Waveforms (Continued)

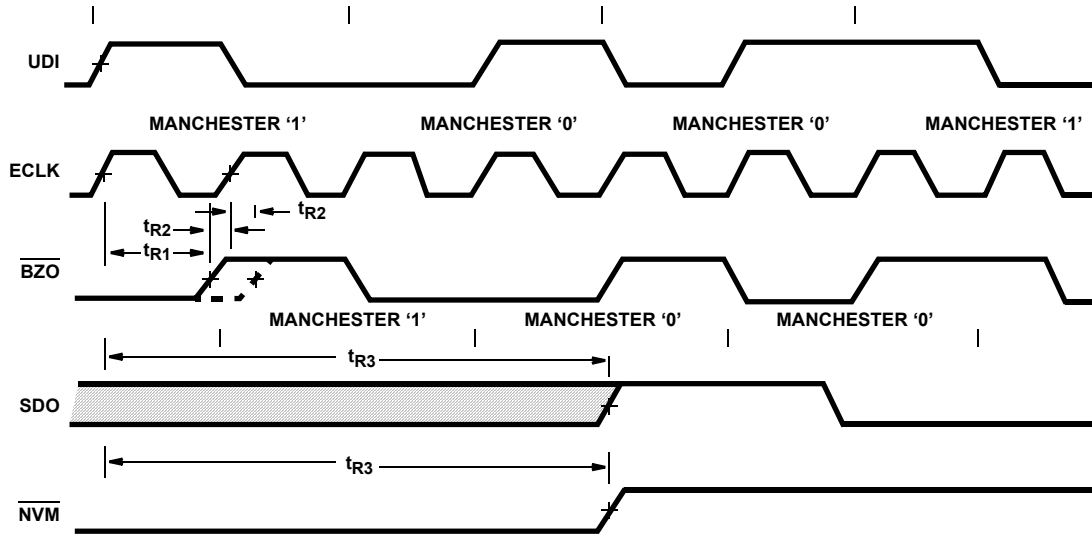
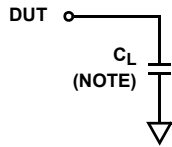


FIGURE 17. REPEATER TIMING

Test Load Circuit



NOTE: INCLUDES STRAY AND JIG CAPACITANCE

FIGURE 18. TEST LOAD CIRCUIT

Revision History

The revision history provided is for informational purposes only and is believed to be accurate, but not warranted. Please go to the web to make sure that you have the latest revision.

DATE	REVISION	CHANGE
October 1, 2015	FN2951.4	Added Rev History beginning with Rev 4. Added About Intersil Verbiage. Updated Ordering Information on page 1 Updated POD M20.3 to most current version. Revision changes are as follows: Top View: Corrected "7.50 BSC" to "7.60/7.40" (no change from rev 2; error was introduced in conversion) Changed "10.30 BSC" to "10.65/10.00" (no change from rev 2; error was introduced in conversion) Side View: Changed "12.80 BSC" to "13.00/12.60" (no change from rev 2; error was introduced in conversion) Changed "2.65 max" to "2.65/2.35" (no change from rev 2; error was introduced in conversion) Changed Note 1 from "ANSI Y14.5M-1982." to "ASME Y14.5M-1994" Updated to new POD format by moving dimensions from table onto drawing and adding land pattern

About Intersil

Intersil Corporation is a leading provider of innovative power management and precision analog solutions. The company's products address some of the largest markets within the industrial and infrastructure, mobile computing and high-end consumer markets.

For the most updated datasheet, application notes, related documentation and related parts, please see the respective product information page found at www.intersil.com.

You may report errors or suggestions for improving this datasheet by visiting www.intersil.com/ask.

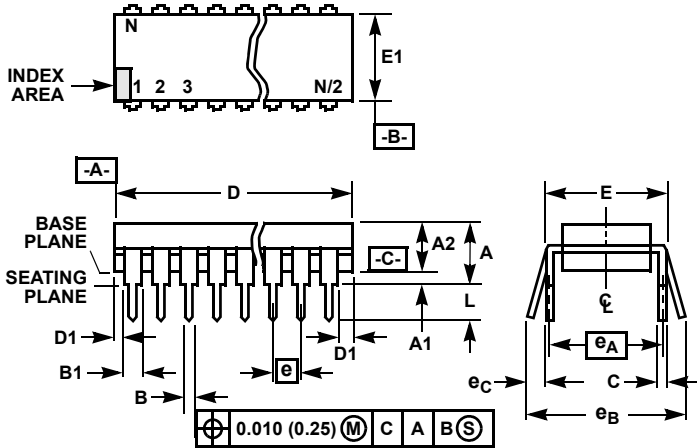
Reliability reports are also available from our website at www.intersil.com/support

All Intersil U.S. products are manufactured, assembled and tested utilizing ISO9001 quality systems.
 Intersil Corporation's quality certifications can be viewed at www.intersil.com/design/quality

Intersil products are sold by description only. Intersil Corporation reserves the right to make changes in circuit design, software and/or specifications at any time without notice. Accordingly, the reader is cautioned to verify that data sheets are current before placing orders. Information furnished by Intersil is believed to be accurate and reliable. However, no responsibility is assumed by Intersil or its subsidiaries for its use; nor for any infringements of patents or other rights of third parties which may result from its use. No license is granted by implication or otherwise under any patent or patent rights of Intersil or its subsidiaries.

For information regarding Intersil Corporation and its products, see www.intersil.com

Dual-In-Line Plastic Packages (PDIP)



NOTES:

1. Controlling Dimensions: INCH. In case of conflict between English and Metric dimensions, the inch dimensions control.
2. Dimensioning and tolerancing per ANSI Y14.5M-1982.
3. Symbols are defined in the "MO Series Symbol List" in Section 2.2 of Publication No. 95.
4. Dimensions A, A1 and L are measured with the package seated in JEDEC seating plane gauge GS-3.
5. D, D1, and E1 dimensions do not include mold flash or protrusions. Mold flash or protrusions shall not exceed 0.010 inch (0.25mm).
6. E and e_A are measured with the leads constrained to be perpendicular to datum $-C-$.
7. e_B and e_C are measured at the lead tips with the leads unconstrained. e_C must be zero or greater.
8. B1 maximum dimensions do not include dambar protrusions. Dambar protrusions shall not exceed 0.010 inch (0.25mm).
9. N is the maximum number of terminal positions.
10. Corner leads (1, N, N/2 and N/2 + 1) for E8.3, E16.3, E18.3, E28.3, E42.6 will have a B1 dimension of 0.030 - 0.045 inch (0.76 - 1.14mm).

E20.3 (JEDEC MS-001-AD ISSUE D)
20 LEAD DUAL-IN-LINE PLASTIC PACKAGE

SYMBOL	INCHES		MILLIMETERS		NOTES
	MIN	MAX	MIN	MAX	
A	-	0.210	-	5.33	4
A1	0.015	-	0.39	-	4
A2	0.115	0.195	2.93	4.95	-
B	0.014	0.022	0.356	0.558	-
B1	0.045	0.070	1.55	1.77	8
C	0.008	0.014	0.204	0.355	-
D	0.980	1.060	24.89	26.9	5
D1	0.005	-	0.13	-	5
E	0.300	0.325	7.62	8.25	6
E1	0.240	0.280	6.10	7.11	5
e	0.100 BSC		2.54 BSC		-
e_A	0.300 BSC		7.62 BSC		6
e_B	-	0.430	-	10.92	7
L	0.115	0.150	2.93	3.81	4
N	20		20		9

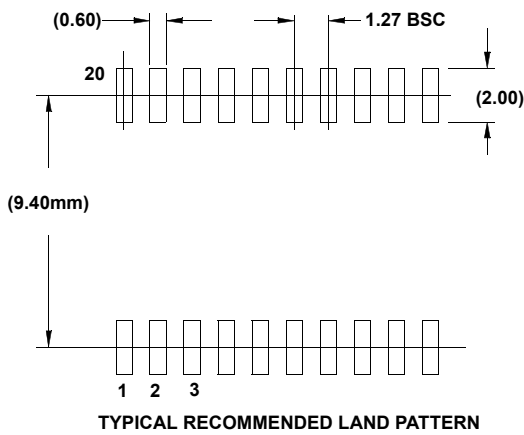
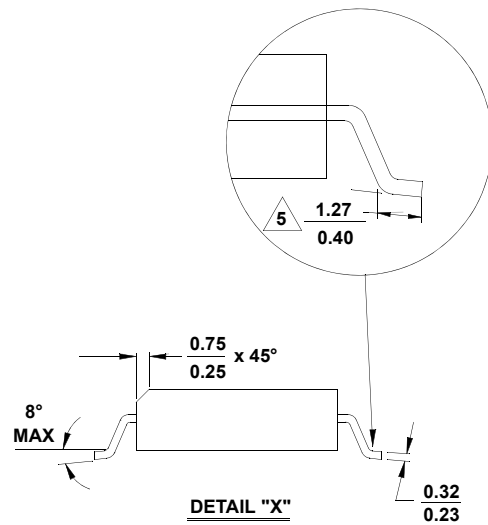
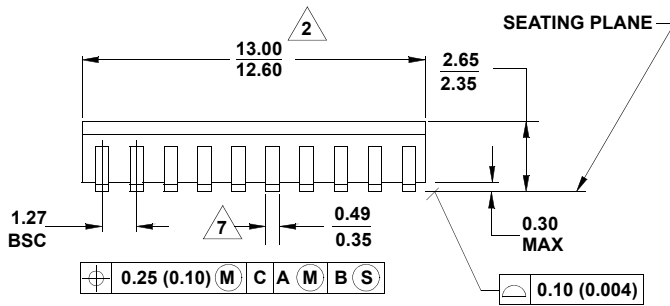
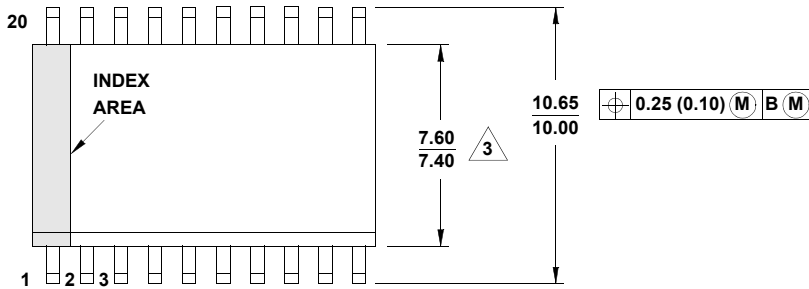
Rev. 0 12/93

Package Outline Drawing

M20.3

20 LEAD WIDE BODY SMALL OUTLINE PLASTIC PACKAGE (SOIC)

Rev 3, 2/11



NOTES:

1. Dimensioning and tolerancing per ASME Y14.5M-1994.
2. Dimension does not include mold flash, protrusions or gate burrs. Mold flash, protrusion and gate burrs shall not exceed 0.15mm (0.006 inch) per side.
3. Dimension does not include interlead lash or protrusions. Interlead flash and protrusions shall not exceed 0.25mm (0.010 inch) per side.
4. The chamfer on the body is optional. If it is not present, a visual index feature must be located within the crosshatched area.
5. Dimension is the length of terminal for soldering to a substrate.
6. Terminal numbers are shown for reference only.
7. The lead width as measured 0.36mm (0.14 inch) or greater above the seating plane, shall not exceed a maximum value of 0.61mm (0.024 inch)
8. Controlling dimension: MILLIMETER.
9. Dimensions in () for reference only.
10. JEDEC reference drawing number: MS-013-AC.