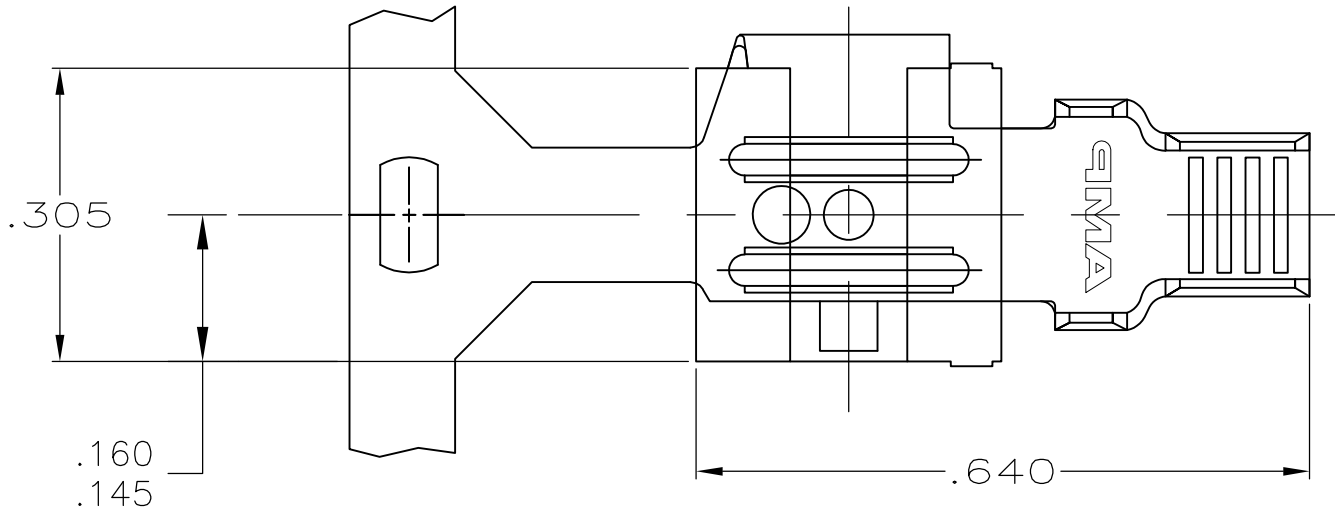
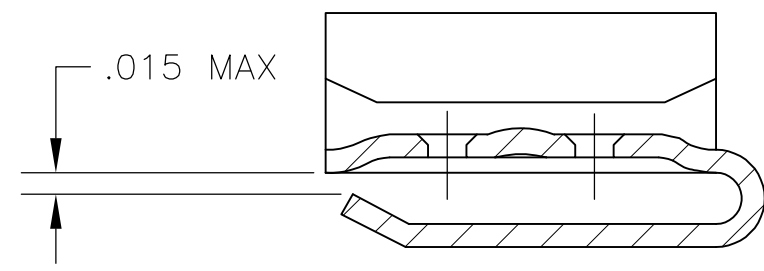
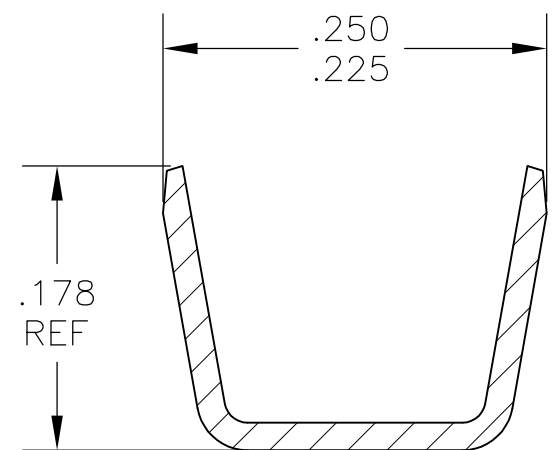
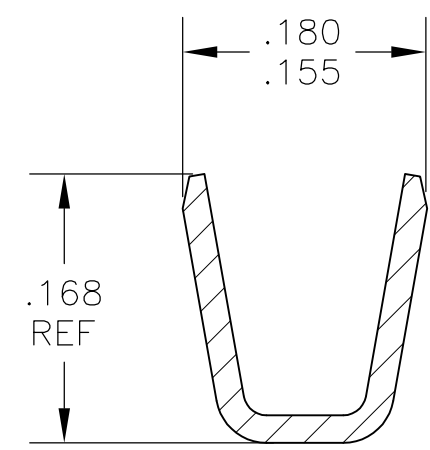
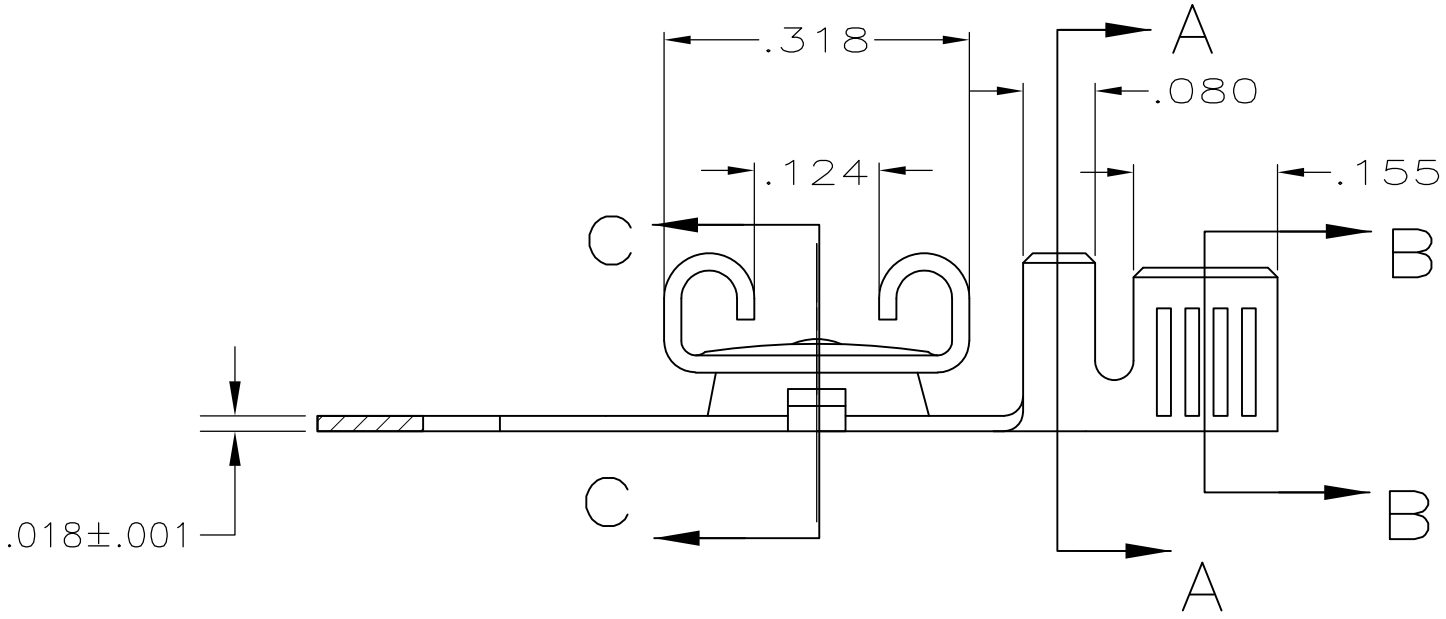


THIS DRAWING IS UNPUBLISHED. RELEASED FOR PUBLICATION  
 © COPYRIGHT - By - ALL RIGHTS RESERVED.

LOC	DIST	REVISIONS					
		P	LTR	DESCRIPTION	DATE	DWN	APVD
AF	50		C	REVISED PER ECR-12-013518	26NOV2012	KH	PD



- 1 CONTINUOUS STRIP ON REELS
- 2 WIRE SIZE IS 16-12 AWG
- 3 MATING TAB THK IS .032±.001
- 4 INSULATION RANGE IS .130-.170 DIA.



1217911-1  
PART NO

SECTION C-C  
SCALE 8:1

THIS DRAWING IS A CONTROLLED DOCUMENT.		DWN JR RUTH 18DEC02	TE Connectivity														
DIMENSIONS: INCHES		CHK P DESANTIS 18DEC02															
TOLERANCES UNLESS OTHERWISE SPECIFIED:		APVD P DESANTIS 18DEC02	NAME RECEPTACLE, FASTON, FLAG, REVERSIBLE, .250 SERIES														
<table border="1"> <tr><td>0 PLC</td><td>± -</td></tr> <tr><td>1 PLC</td><td>± -</td></tr> <tr><td>2 PLC</td><td>± -</td></tr> <tr><td>3 PLC</td><td>± .010</td></tr> <tr><td>4 PLC</td><td>± -</td></tr> <tr><td>ANGLES</td><td>± -</td></tr> </table>		0 PLC	± -	1 PLC	± -	2 PLC	± -	3 PLC	± .010	4 PLC	± -	ANGLES	± -	PRODUCT SPEC -	APPLICATION SPEC -		
0 PLC	± -																
1 PLC	± -																
2 PLC	± -																
3 PLC	± .010																
4 PLC	± -																
ANGLES	± -																
MATERIAL BRASS		FINISH -	114-2032	SIZE A3	CAGE CODE 00779	DRAWING NO C-1217911	RESTRICTED TO -										
CUSTOMER DRAWING			WEIGHT -	SCALE 5:1	SHEET 1 OF 1	REV C											