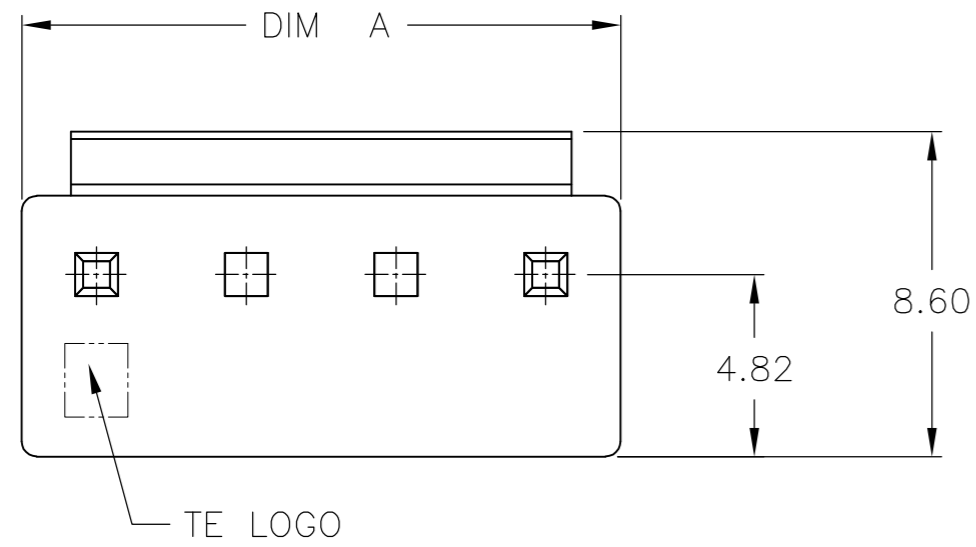


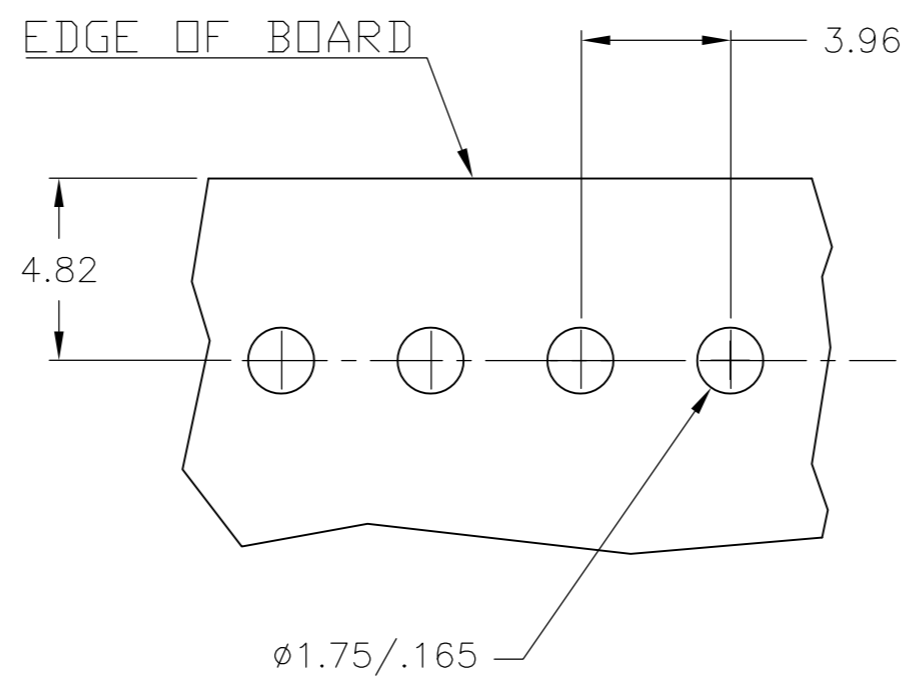
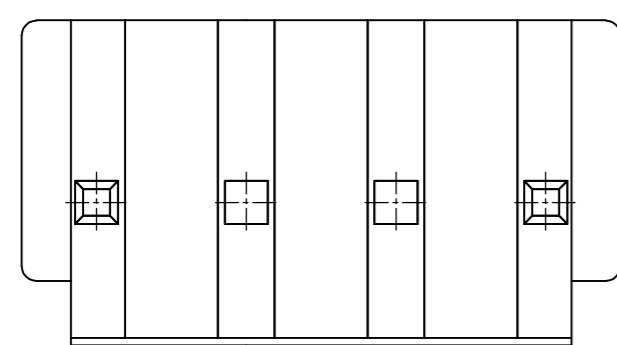
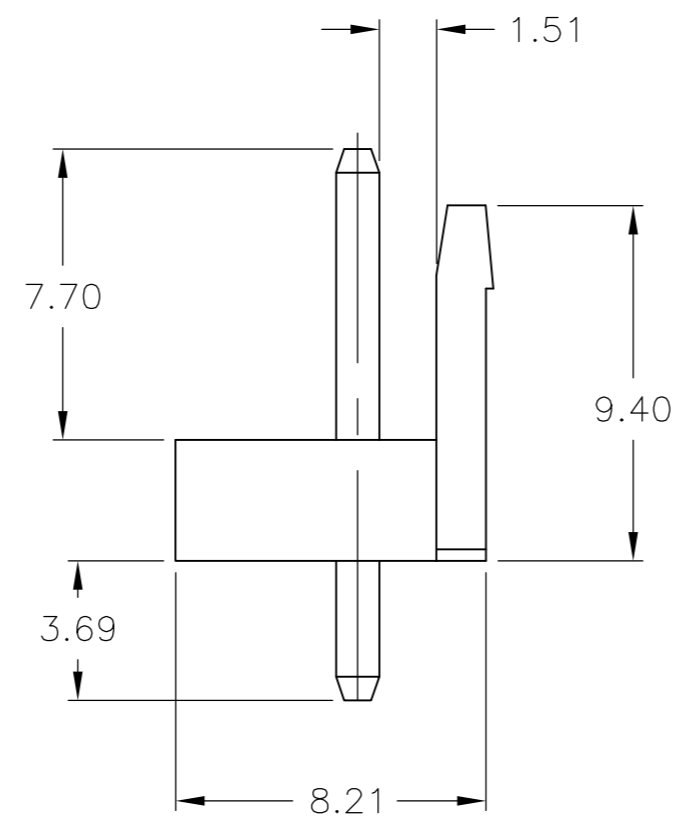
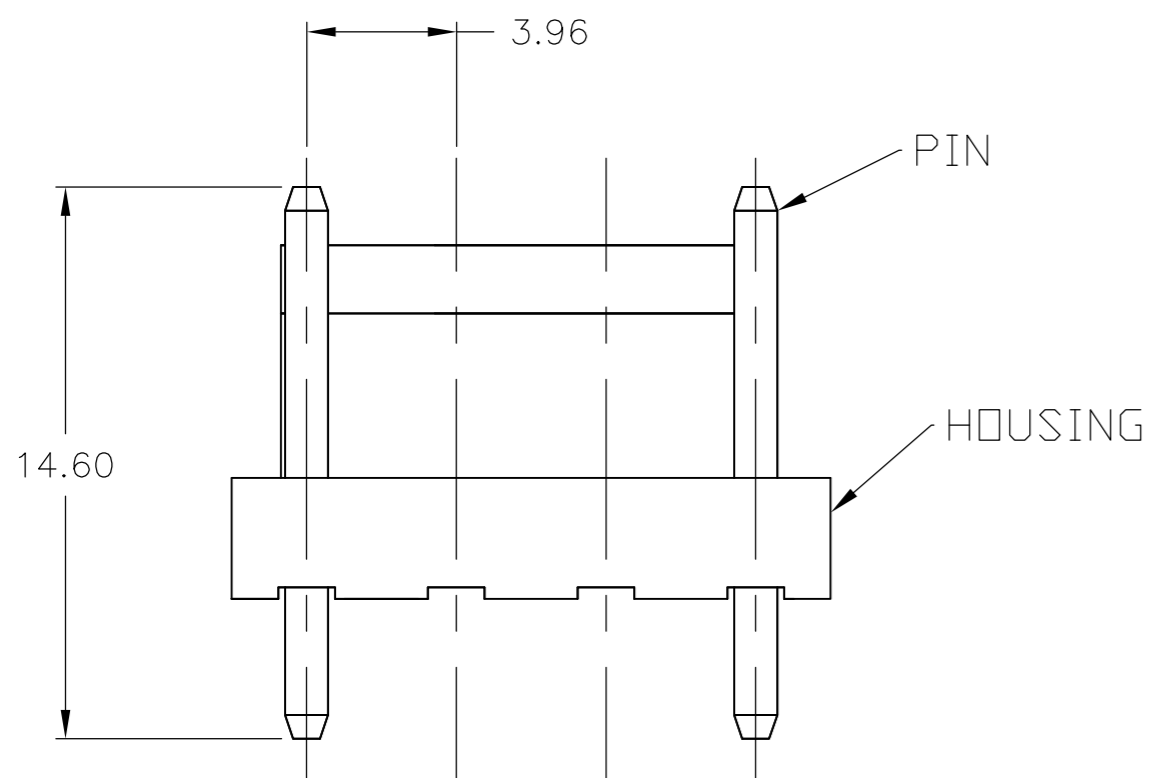
THIS DRAWING IS UNPUBLISHED. RELEASED FOR PUBLICATION
 © COPYRIGHT By - ALL RIGHTS RESERVED.

LOC	DIST	REVISIONS					
		P	LTR	DESCRIPTION	DATE	DWN	APVD
GP	00		D	DRAWN	12NOV14	JR	TM



- HOUSING MATERIAL: NYLON, UL94 V0.
- CONTACT MATERIAL: BRASS.
- CONTACT PLATING: .0030 MIN TIN OVER .0010 NICKEL.
- COMPLY WITH GLOW WIRE REQUIREMENTS FOR PARTS OF NON-METALLIC MATERIAL SUPPORTING A CURRENT-CARRYING CONNECTION DETAILED IN IEC 60335-1, SECTION 30 (GWT).

5 "O" WITH POST
 "X" WITHOUT POST



RECOMMENDED MOUNTING HOLE PATTERN FOR 1.6 THICK PC BOARD

0	X	X	0	4	NATURAL	15.84	7-1565033-2
4	3	2	1	NO. OF POSITIONS	COLOR	DIM A ±0.30	PART NUMBER
PIN POSITIONS							

THIS DRAWING IS A CONTROLLED DOCUMENT.		DWN	B WAYNE	12NOV14	 TE Connectivity					
DIMENSIONS: mm		CHK	TOM MICHELUTTI	12NOV14						
TOLERANCES UNLESS OTHERWISE SPECIFIED:		APVD	TOM MICHELUTTI	12NOV14						
0 PLC ± 1 PLC ± 0.5 2 PLC ± 0.30 3 PLC ± 4 PLC ± ANGLES ± FINISH		NAME	TOM MICHELUTTI							
SEE NOTES		PRODUCT SPEC	108-5609		HEADER ASSEMBLY-ECONOMY POWER VERTICAL					
MATERIAL		APPLICATION SPEC	SIZE	A2	CAGE CODE	00779	DRAWING NO	C=7-1565033-2	RESTRICTED TO	-
SEE NOTES		WEIGHT	CUSTOMER DRAWING		SCALE	5:1	SHEET	1 of 1	REV	D