

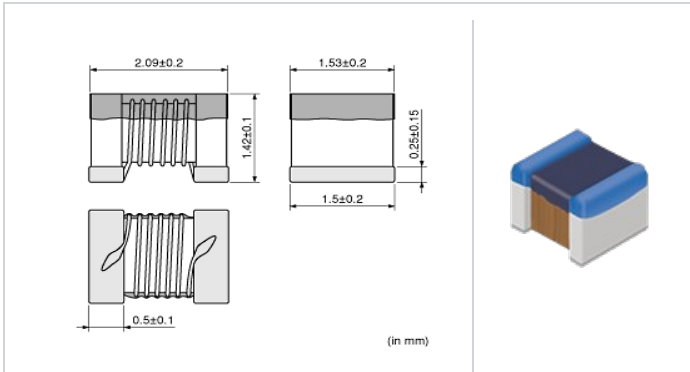
# LQW2BANR12G00#

"#" indicates a package specification code.



< List of part numbers with package codes >  
 LQW2BANR12G00L , LQW2BANR12G00K , LQW2BANR12G00B

## Shape



L size	2.09 ±0.2mm
W size	1.53 ±0.2mm
T size	1.42 ±0.1mm
Size code in inch (mm)	0805 (2015)

## Notes

In operating temperature exceeding +85°C, derating of current is necessary for LQW2BAN\_00 series.  
 Please apply the derating curve shown in chart according to the operating temperature.  
 When applied Rated current to the Products, self temperature rise shall be limited to 40°C max.  
 Please confirm "Notice (Rating)".

## References

Packaging code	Specifications	Minimum quantity
L	φ180mm Embossed taping	2000
K	φ330mm Embossed taping	8000
B	Packing in bulk	500

Mass (Typ.)	
1 piece	0.014g

## Specifications

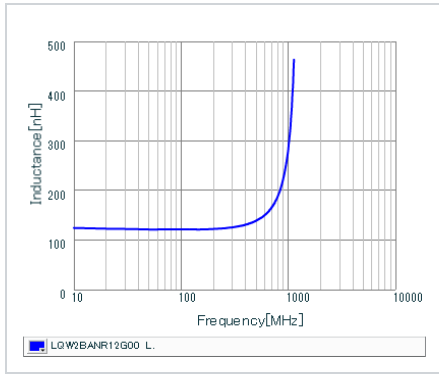
Inductance	120nH ±2%
Inductance test frequency	150MHz
Rated current (Itemp) (Based on Temperature rise)	970mA
Max. of DC resistance	0.38Ω
Q (min.)	57
Q test frequency	250MHz
Self resonance frequency (min.)	1200MHz
Operating temperature range (Self-temperature rise is included)	-55~125°C
Series	LQW2BAN_00

### Attention

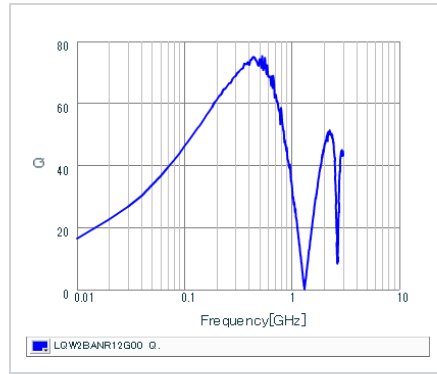
- 1.This datasheet is downloaded from the website of Murata Manufacturing Co., Ltd. Therefore, it's specifications are subject to change or our products in it may be discontinued without advance notice. Please check with our sales representatives or product engineers before ordering.
- 2.This datasheet has only typical specifications because there is no space for detailed specifications. Therefore, please review our product specifications or consult the approval sheet for product specifications before ordering.

**Chart of characteristic data (The charts below may show another part number which shares its characteristics.)**

▪ Inductance-Frequency characteristics (Typ.)



▪ Q-Frequency characteristics (Typ.)



▪ Notice (Rating)

In operating temperature exceeding +85°C, derating of current is necessary for LQW2BAN series. Please apply the derating curve shown in chart according to the operating temperature.

**Derating of Rated Current**

The graph shows Rated Derating (%) on the y-axis (0 to 100) and Operating Temperature (°C) on the x-axis (0 to 125). The derating is 100% from 0°C to 85°C, then decreases linearly to 50% at 125°C.

Operating Temperature (°C)	Rated Derating (%)
0	100
85	100
125	50

**⚠ Attention**

- 1.This datasheet is downloaded from the website of Murata Manufacturing Co., Ltd. Therefore, it's specifications are subject to change or our products in it may be discontinued without advance notice. Please check with our sales representatives or product engineers before ordering.
- 2.This datasheet has only typical specifications because there is no space for detailed specifications. Therefore, please review our product specifications or consult the approval sheet for product specifications before ordering.