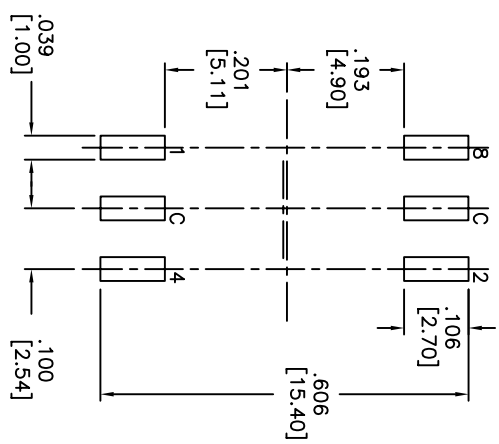
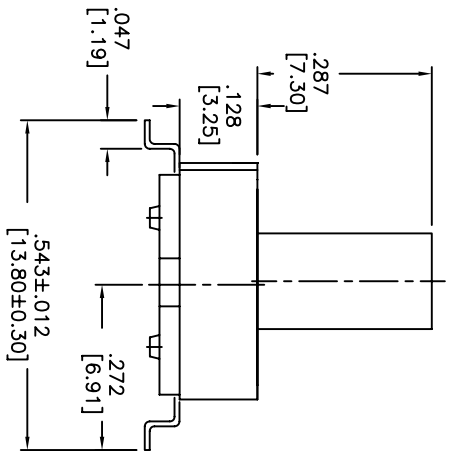
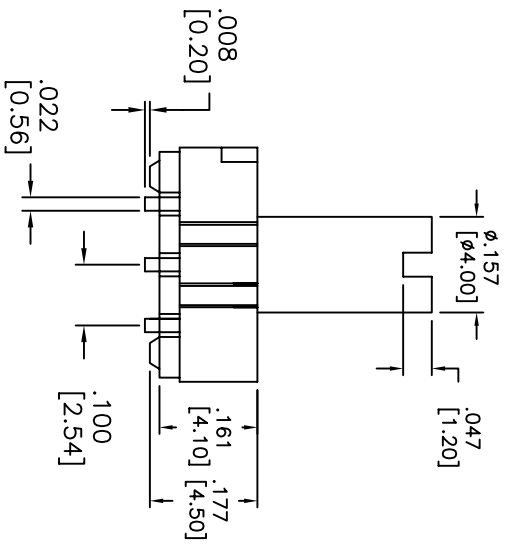
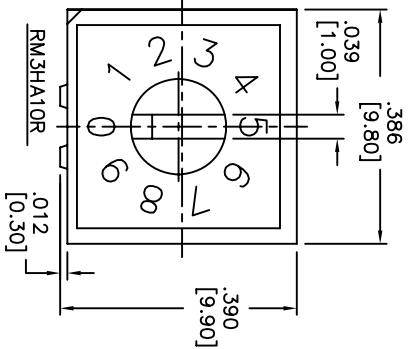
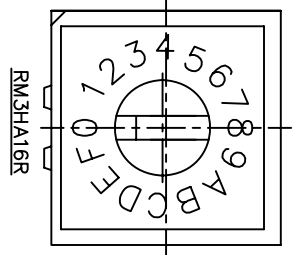


THIS DOCUMENT IS THE PROPERTY OF APDM COMPONENTS AND SHALL NOT BE COPIED, REPRODUCED, DISCLOSED OR USED AS THE BASIS FOR MANUFACTURING OR SALE WITHOUT PERMISSION OF A DULY AUTHORIZED REPRESENTATIVE OF APDM COMPONENTS INC.



P.C.B. LAYOUT
UNLESS OTHERWISE SPECIFIED
P.C. TOLERANCES ARE ±.002 [0.05]

| DATE | SYM | REVISION RECORD | DWN. | CK. |
|------|-----|-----------------|------|-----|
| | | | | |
| | | | | |
| | | | | |

Q.A. INSPECT: DESIGNATES CRITICAL DIMENSION

TOLERANCES
(UNLESS OTHERWISE SPECIFIED)
XX = ±.02 [0.05]
XXX = ±.008 [0.20]
XXXX = ±.0008 [0.02]
ANGLE = 40.5°

APDM 63 Neck Rd. 01835
Haverhill, MA
Tel: 978-372-3554 Fax: 978-372-3554

DRN. CJD
BR. PJD
OR. PJD

INCH SHEET SIZE SCALE THIRD ANGLE PROJECTION
(MM) 1 OF 2 B 5:1

TITLE ROTARY DIP SWITCH

DATE 5/31/07 DRAWING NO. RM3HA***V** REV A

DO NOT SCALE FROM DRAWING

THIS DOCUMENT IS THE PROPERTY OF APEM COMPONENTS AND SHALL NOT BE COPIED, REPRODUCED, DISCLOSED OR SALE WITHOUT PERMISSION OF A DULY AUTHORIZED REPRESENTATIVE OF APEM COMPONENTS INC.

DESCRIPTION: SURFACE MOUNT ROTARY DIP SWITCH
 SPECIFICATIONS:
 RATING (SWITCHING): 25ma @ 24VDC
 RATING (NON-SWITCHING): 100ma @ 50VDC
 CONTACT RESISTANCE (INITIAL): 100 MOHMS MAX.
 CONTACT RESISTANCE (FINAL AFTER-TEST): 200 MOHMS MAX.
 DIELECTRIC STRENGTH: 250VAC FOR 1 MINUTE
 INSULATION RESISTANCE: 100 MOHMS MIN. @ 250VDC
 OPERATING TEMPERATURE RANGE: -25°C TO +80°C
 STORAGE TEMPERATURE RANGE: -40°C TO +85°C
 LIFE: 200 MOHMS MAX 20,000 STEPS
 ELECTRO STATIC CAPACITY: 5pF MAX.
 HUMIDITY: 40°C±2°C 90-95% RH FOR 96 HOURS.
 THERMAL TEST: 85°C±2°C FOR 96 HOURS.
 COLD TEST: -40°C±3°C FOR 96 HOURS.
 VIBRATION RESISTANCE: PASSES METHOD 201A MIL-STD-202F
 SHOCK RESISTANCE: 50G PER METHOD 213B MIL-STD-202F
 OPERATION FORCE: 200gf CM MAX
 SOLDERABILITY: 230± 5°C FOR 3 SECONDS
 MATERIALS:
 BASE: UL94V-0 NYLON THERMOPLASTIC
 COLOR, BLACK
 COVER: UL94V-0 NYLON THERMOPLASTIC
 COLOR, BLACK
 ACTUATOR: UL94V-0 LCP THERMOPLASTIC
 COLOR, WHITE
 CONTACT: COPPER ALLOY WITH GOLD OVER NICKEL PLATING.
 TERMINAL: BRASS WITH GOLD PLATING.
 ROHS COMPLIANT

NUMBER OF POSITIONS: RM3HA***V*
 10=10
 16=16
 REAL CODES: _____
 R= REGULAR
 C= COMPLIMENTARY

PACKAGING:
 = TUBE
 = TAPE & REEL

| TYPE | POSITION | CODE | | | |
|---------|----------|------|---|---|---|
| | | 1 | 2 | 4 | 8 |
| 10 STEP | 0 | F | ● | ● | ● |
| | 1 | E | ○ | ● | ● |
| | 2 | D | ● | ○ | ● |
| | 3 | C | ○ | ○ | ● |
| | 4 | B | ● | ● | ○ |
| | 5 | A | ○ | ○ | ● |
| | 6 | 9 | ● | ○ | ○ |
| | 7 | 8 | ○ | ○ | ● |
| | 8 | 7 | ● | ● | ○ |
| 16 STEP | 9 | 6 | ○ | ● | ○ |
| | A | 5 | ● | ○ | ○ |
| | B | 4 | ○ | ○ | ○ |
| | C | 3 | ● | ○ | ○ |
| | D | 2 | ○ | ● | ○ |
| | E | 1 | ● | ○ | ○ |
| | F | 0 | ○ | ○ | ○ |
| | | | | | |

CIRCUIT CHART

| DATE | SYM | REVISION RECORD | DWN. | CK. |
|------|-----|-----------------|------|-----|
| | | | | |
| | | | | |
| | | | | |

Q.A. INSECT: △

DESIGNATES CRITICAL DIMENSION

TOLERANCES (UNLESS OTHERWISE SPECIFIED)
 .XX = ±.02(0.05)
 .XXX = ±.008(0.20)
 .XXXX = ±.0008(0.02)
 ANGLE = 10.5°

APERM
 63 Neck Rd. 01835
 Haverhill, MA
 Phone: 978-372-3534
 Fax: 978-372-3534

PRN: CJD
 BR: PJD

THIRD ANGLE PROJECTION

DO NOT SCALE

DATE: 5/31/07 DRAWING NO: RM3HA***V* REV: A

1 2 3 4 5 6 7 8