

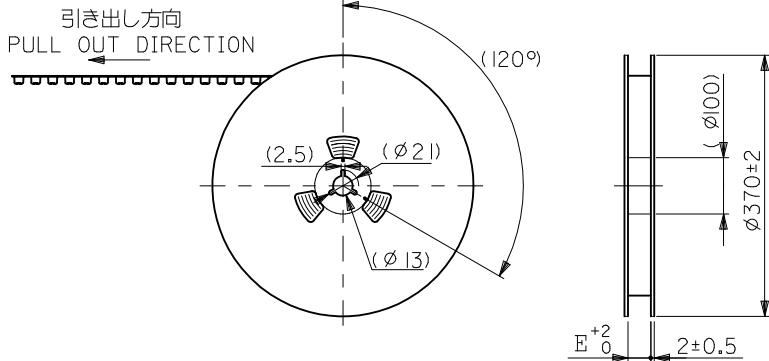
- 注) NOTES
- 材質 MATERIAL
 ハウジング: ガラス入りLCP、白色、UL94V-0
 HOUSING: G.F.LCP, WHITE, UL94V-0
 ターミナル: 銅合金 (t=0.2)
 TERMINAL: COPPER ALLOY
 吸着カバー: ステンレス (t=0.2)
 VACUUM COVER: STAINLESS STEEL
 補強金具: 銅合金 (t=0.25)
 FITTING NAIL: COPPER ALLOY
 - メッキ仕様 PLATING
 ターミナル: 接点部 : 金メッキ 0.25 µmMIN.
 TERMINAL: CONTACT AREA: GOLD 0.25 µmMIN.
 半田付け部: 錫メッキ 1 µmMIN.
 SOLDER TAIL AREA: TIN 1 µmMIN.
 下地メッキ: ニッケルメッキ 2 µmMIN.
 UNDER-PLATING: NICKEL 2 µmMIN.
 - テールのバラツキ寸法 TAIL COPLANARITY
 テール平坦度は、0.1 MAX.とする。
 TAILS COPLANARITY TO BE 0.1 MAX.
 - エンボス対応済みの種別については、SD-52901-009を参照下さい。
 FOR THE EMBOSSED PACKAGE PRODUCTS, SEE SD-52901-009.
 - 本製品は 52901-***2 の鉛フリー品である。
 THIS PRODUCT IS LEAD FREE OF 52901-***2.

無し NO	55.07	53.47	50.165	58.67	52901-1674	160	
	48.72	47.12	43.815	52.32	-1474	140	
	42.37	40.77	37.465	45.97	-1274	120	
	36.02	34.42	31.115	39.62	-1074	100	
	32.85	31.25	27.94	36.45	-0974	90	
有り YES	29.67	28.07	24.765	33.27	-0874	80	
	26.5	24.9	21.59	30.1	-0774	70	
	23.32	21.72	18.415	26.92	-0674	60	
	16.97	15.37	12.065	20.57	-0474	40	
	13.8	12.2	8.89	17.4	-0374	30	
ハウジングブロック HS'G LOCK	10.62	9.02	5.715	14.22	52901-0274	20	
	D	C	B	A	エンボス梱包 EMBOSSED PACKAGING	スティック梱包 STICK PACKAGING	種数 CKT. NO.

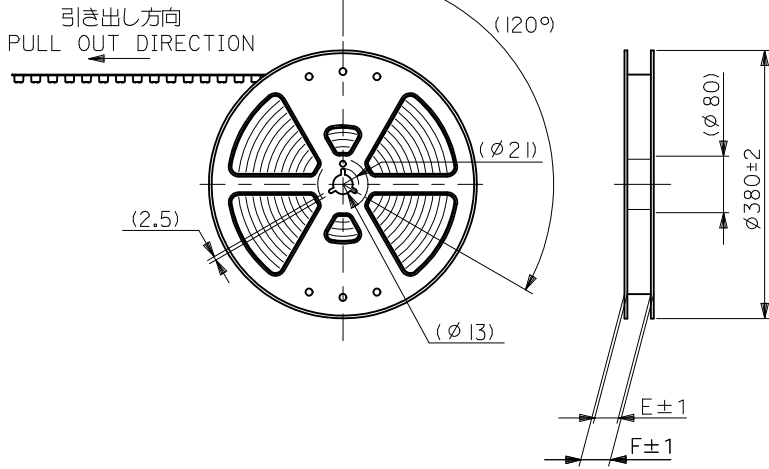
CONNECTORS SERIES No. 52901-***72

REVISED EC NO. J2012-1233 DRWN: KAIHO CHKD: TASAKAWA APPR: MSASAO	DESCRIPTION 2012/03/16 2012/03/16 2012/03/19	GENERAL TOLERANCES (UNLESS SPECIFIED)		DIMENSION STYLE MM ONLY		SCALE ---		DESIGN UNITS METRIC		THIRD ANGLE PROJECTION	
		10 UNDER	±0.2	DRAWN BY M. NINOMIYA	DATE '04/03/04	TITLE 0.635 PITCH B-TO-B CONN. REC. HS'G COVER ASS'Y -LEAD FREE-					
		10 OVER 30 UNDER	±0.25	CHECKED BY K. TOJO	DATE '04/03/04	MOLEX INCORPORATED					
		30 OVER	±0.3	APPROVED BY M. SASAO	DATE '04/03/04						
REV	ANGULAR ±3 °	DRAFT WHERE APPLICABLE MUST REMAIN WITHIN DIMENSIONS		MATERIAL NO. SEE TABLE		DOCUMENT NO. SD-52901-008		SHEET NO. 1 OF 1			

20~140P



160P

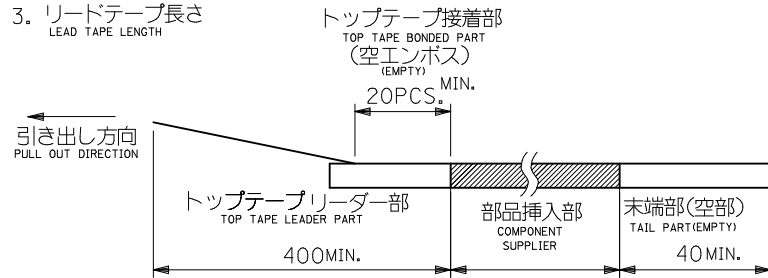


注)
NOTES

1. 製品番号 52901-***72 の詳細寸法については、SD-52901-008 を参照下さい。
IN THE PACKAGE , PART NO. 52901-***72 DETAILED DIMENSIONS , SEE SD-52901-008

2. 梱包数量 : 440 個/リール
NUMBER OF CONNECTORS : 440 PCS/REEL

3. リードテープ長さ
LEAD TAPE LENGTH



4. トップテープの剥離強度 (剥離方向は下図参照)

PEELING OFF FORCE OF TOP TAPE (PEELING DIRECTION AS SHOWN IN FOLLOWING FIG.)

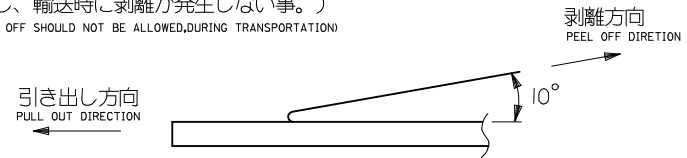
0. 1N~1.3N {10gf~130gf} : キャリアテープ幅24mm~72mm
CARRIER TAPE WIDTH 24mm~72mm

尚、本規格値は、出荷時に適用。

THIS REQUIREMENT SHOULD BE APPLIED AT SHIPMENT

(但し、輸送時に剥離が発生しない事。)

(PEEL OFF SHOULD NOT BE ALLOWED,DURING TRANSPORTATION)



5. 材料

MATERIAL

キャリアテープ : ポリプロピレン (PP)

CARRIER TAPE : POLYPROPYLENE (PP)

トップテープ : PET, PE, PEF

TOP TAPE : PET , PE , PEF

リール : 紙 (20~140P)

ポリスチレン (160P)

REEL: CARD BOARD (20~140P)

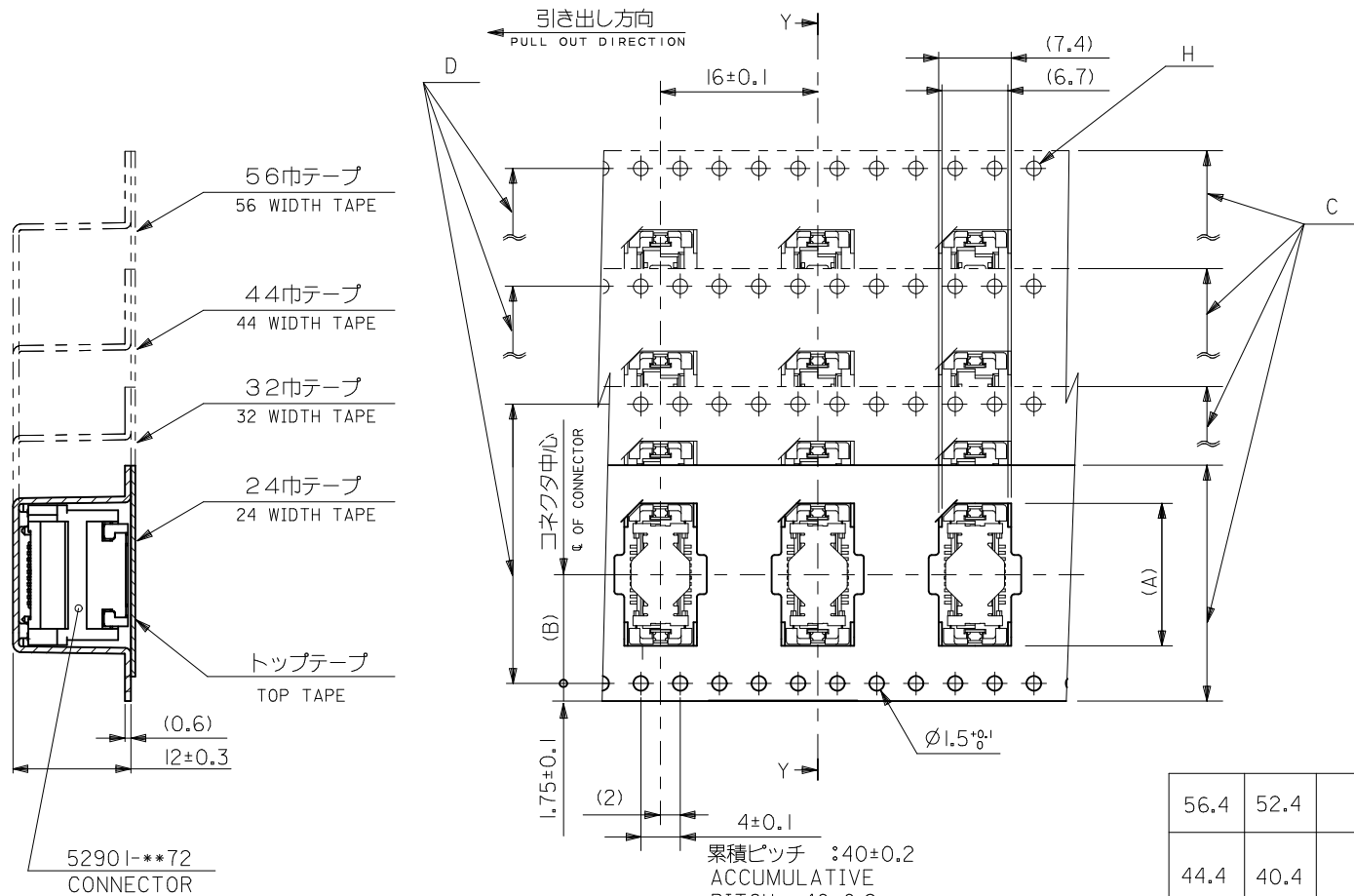
: POLYSTYRENE (160P)

6. 本製品は 52901-***4 の鉛フリー品である。

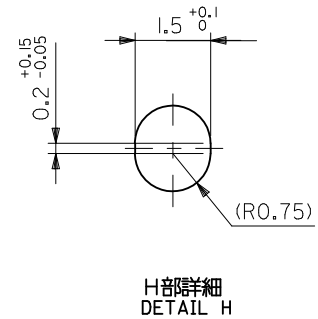
THIS PRODUCT IS LEAD FREE OF 52901-***4.

52901-***74
MODEL NO.

REVISED EC NO: J2012-1233 DRWN:TKAIHO 2012/03/19 CHKD:TASAKAWA 2012/03/19 APPR:MSASAO 2012/03/19	DESCRIPTION	GENERAL TOLERANCES (UNLESS SPECIFIED)		DIMENSION STYLE MM ONLY		SCALE ---	DESIGN UNITS METRIC	THIRD ANGLE PROJECTION	
		10 UNDER	± ---	DRAWN BY M. NINOMIYA	DATE '04/03/04	TITLE EMBOSSED TAPE PACKAGE FOR 52901-***72 -LEAD FREE-			
		10 OVER 30 UNDER	± ---	CHECKED BY K. TOJO	DATE '04/03/04	MOLEX INCORPORATED			
		30 OVER	± ---	APPROVED BY M. SASAO	DATE '04/03/04	DOCUMENT NO. SD-52901-009			
B	REV	ANGULAR	± --- °	MATERIAL NO. SEE CHART		SHEET NO. 1 OF 3		THIS DRAWING CONTAINS INFORMATION THAT IS PROPRIETARY TO MOLEX INCORPORATED AND SHOULD NOT BE USED WITHOUT WRITTEN PERMISSION	



断面 Y-Y
SECTION Y-Y

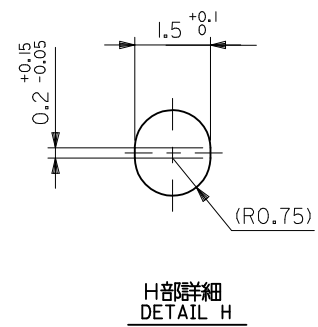
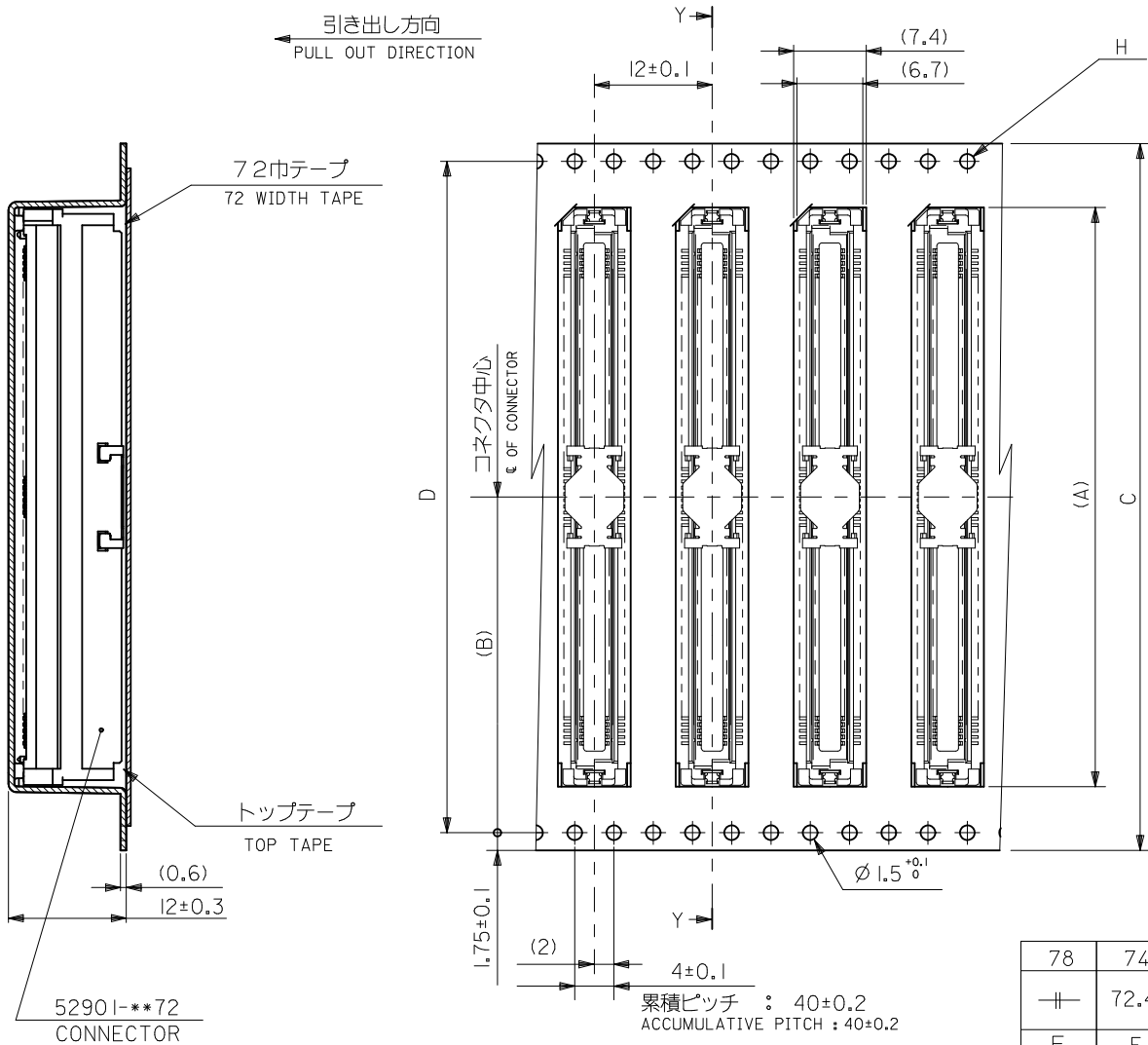


H部詳細
DETAIL H

REVISED	EC NO: J2012-1233	2012/03/19	DRWN:TKAIHO	2012/03/19	CHKD:TASAKAWA	2012/03/19	APPR:MSASAO	2012/03/19
	DESCRIPTION							
	GENERAL TOLERANCES (UNLESS SPECIFIED)							
	DRAFT WHERE APPLICABLE MUST REMAIN WITHIN DIMENSIONS							

56.4	52.4	56 ^{+0.3}	26.2	39.9	52901-1074	100
				36.8	-0974	90
44.4	40.4	44 ^{+0.3}	20.2	33.6	-0874	80
				30.4	-0774	70
32.4	28.4	32 ^{+0.3}	14.2	27.2	-0674	60
				20.9	-0474	40
24.4		24 ^{+0.3}	11.5	17.7	-0374	30
				14.5	52901-0274	20
E	D	C	B	A	MATERIAL NO.	極致 CKT.NO.

DIMENSION STYLE MM ONLY		SCALE ---	DESIGN UNITS METRIC	THIRD ANGLE PROJECTION
DRAWN BY M. NINOMIYA	DATE '04/03/04	TITLE EMBOSSD TAPE PACKAGE FOR 52901-**-72 -LEAD FREE-		
CHECKED BY K. TOJO	DATE '04/03/04	MOLEX INCORPORATED		
APPROVED BY M. SASAO	DATE '04/03/04	MATERIAL NO.	DOCUMENT NO.	SHEET NO.
SEE CHART		SD-52901-009		2 OF 3
THIS DRAWING CONTAINS INFORMATION THAT IS PROPRIETARY TO MOLEX INCORPORATED AND SHOULD NOT BE USED WITHOUT WRITTEN PERMISSION				



断面 Y-Y
SECTION Y-Y

78	74	68.4	72±0.3	34.2	59.0	59201-1674	160
—	72.4				52.6	52901-1474	140
F	E	D	C	B	A	MATERIAL NO.	極致 CKT.NO.

REVISED EC NO.: J2012-1233 DRWN:TKAIHO 2012/03/19 CHKD:TASAKAWA 2012/03/19 APPR:MSASAO 2012/03/19	DESCRIPTION REV	GENERAL TOLERANCES (UNLESS SPECIFIED)		DIMENSION STYLE MM ONLY		SCALE ---		DESIGN UNITS METRIC		THIRD ANGLE PROJECTION		
		10 UNDER	± ---	DRAWN BY M. NINOMIYA	DATE '04/03/04	TITLE EMBOSSSED TAPE PACKAGE FOR 52901-**72 -LEAD FREE-						
		10 OVER 30 UNDER	± ---	CHECKED BY K. TOJO	DATE '04/03/04	MOLEX INCORPORATED						
		30 OVER	± ---	APPROVED BY M. SASAO	DATE '04/03/04	MATERIAL NO.		DOCUMENT NO.		SHEET NO.		
ANGULAR ± --- °		DRAFT WHERE APPLICABLE MUST REMAIN WITHIN DIMENSIONS		SEE CHART		SD-52901-009		3 OF 3				