

THIS DRAWING IS UNPUBLISHED.

RELEASED FOR PUBLICATION

© COPYRIGHT - BY TYCO ELECTRONICS CORPORATION. ALL RIGHTS RESERVED.

LOC FT DIST 0

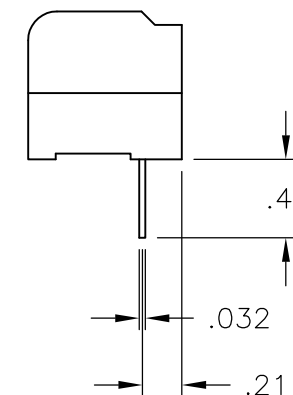
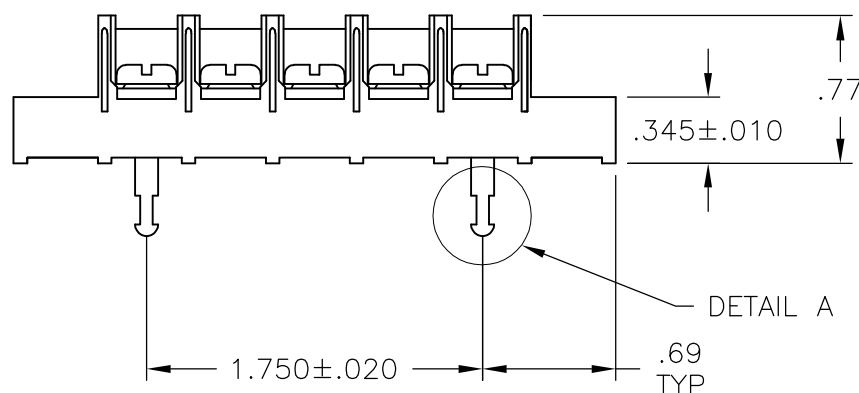
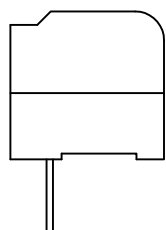
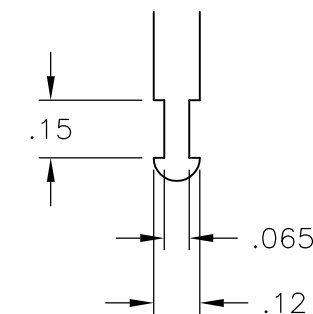
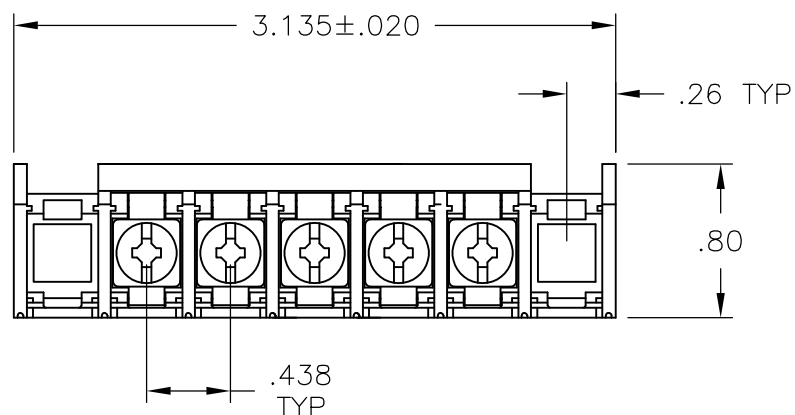
REVISIONS

P	LTR	DESCRIPTION	DATE	DWN	APVD
	B	REVISED PER ECO-10-004812	06MAY10	HMR	CR

MATERIAL:
 HOUSING: NYLON, UL94V-0, BLACK.
 TERMINALS: BRIGHT TIN PLATED COPPER ALLOY.
 SCREWS: 8-32, ZINC PLATED STEEL.

ELECTRICAL:
 CURRENT RATING: 30A.
 VOLTAGE RATING: 600V.
 WIRE RANGE: 10-18 AWG (UL)
 10-22 AWG (CSA)

MECHANICAL:
 RECOMMENDED TORQUE: 12 IN-LB
 OPERATING TEMP.: -40°C TO +120°C



5	8STV-05-627	5-1437659-5
NO. OF POS.	CATALOG NUMBER	TYCO PART NO.

THIS DRAWING IS A CONTROLLED DOCUMENT.		DWN S SCHLEGEL 11/3/04	Tyco Electronics Corporation Harrisburg, Pa 17105-3608			
DIMENSIONS: INCHES		CHK S YODER 11/3/04				
TOLERANCES UNLESS OTHERWISE SPECIFIED:		APVD S YODER 11/3/04	NAME			
0 PLC ± - 1 PLC ± - 2 PLC ± .02 3 PLC ± .010 4 PLC ± - ANGLES ± -		PRODUCT SPEC	8STV-05-627 ASSEMBLY			
MATERIAL		APPLICATION SPEC	SIZE	CAGE CODE	DRAWING NO	RESTRICTED TO
FINISH		WEIGHT	A3	00779	G-5-1437659-5	-
CUSTOMER DRAWING			SCALE	SHEET	REV	
			NTS	1 OF 1	B	