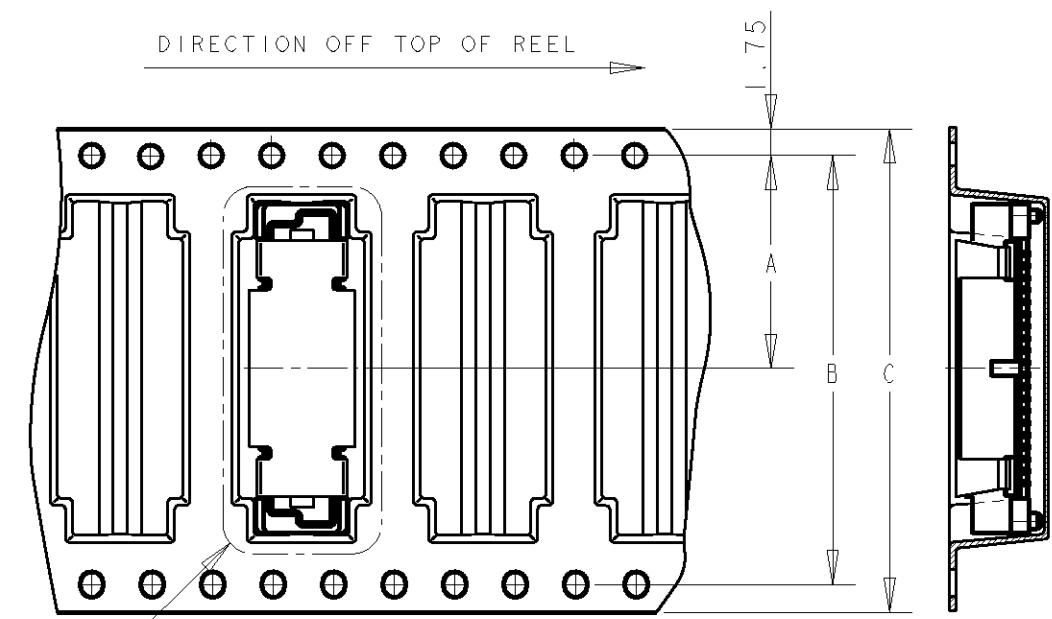


THIS DRAWING IS UNPUBLISHED. RELEASED FOR PUBLICATION .19
 © COPYRIGHT 19 BY AMP INCORPORATED. ALL RIGHTS RESERVED.

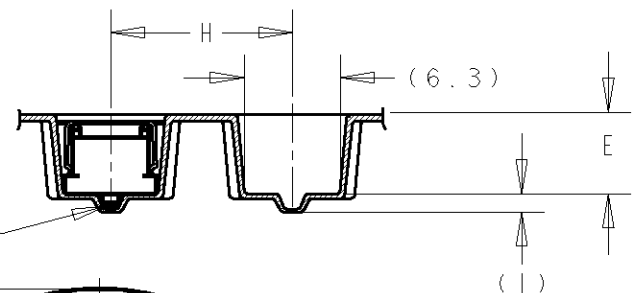
LOC	DIST	REVISIONS					
DY	-	P	LTR	DESCRIPTION	DATE	DWN	APVD
			AB	REVISED FP00-0141-03	15JUL03	LWY	ET

DIRECTION OFF TOP OF REEL →



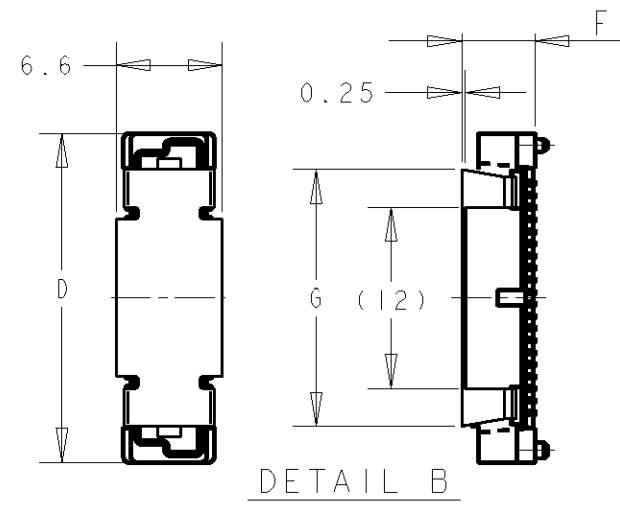
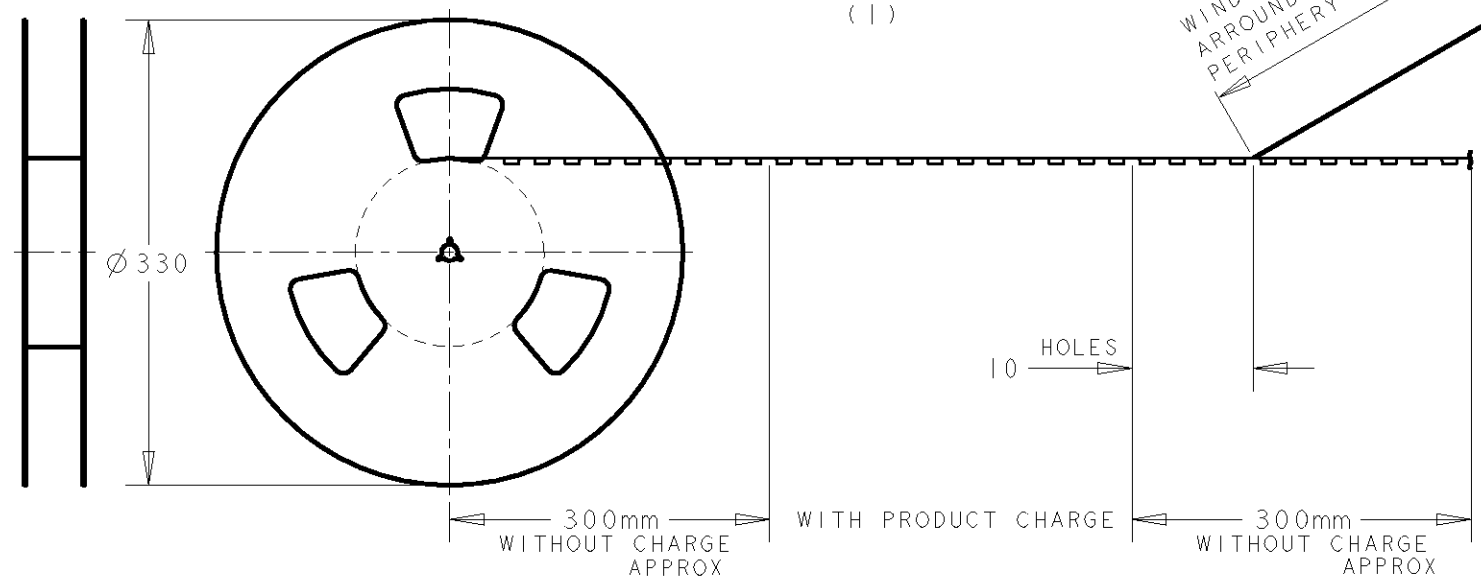
NOTES:
 △ 0.00076 MIN GOLD PLATING (30u INCHES GOLD PLATING)

DETAIL B



LOCATION BOSS

WINDING THE COVER TAPE AROUND THE OUTER PERIPHERY IN A TURN.



DETAIL B

REMARKS	TOOLING STATUS	QTY	HEIGHT TYPE	H	G	F	E	D	C	B	A	POS	CONN	P/N	PART NO.			
△	AVAILABLE			550	6H	16	17	5.85	6.25	61.8	88	84.4	42.2	140	84615-6	6-	-6	
	AVAILABLE			550	6H	16	17	5.85	6.25	53.8	72	68.4	34.2	120	84615-5	6-	-5	
	AVAILABLE			550	6H	16	17	5.85	6.25	45.8	72	68.4	34.2	100	84615-4	6-	-4	
	AVAILABLE			800	6H	12	17	5.85	6.25	37.8	56	52.4	26.2	80	84615-3	6-	-3	
	AVAILABLE			450	7H	16	17	6.85	7.25	37.8	56	52.4	26.2	80	179030-3	4-	-3	
	AVAILABLE									77.8	104	100.4	50.2	180		-9	3-	-9
	AVAILABLE									69.8				160		-8	3-	-8
	AVAILABLE									61.8	88	84.4	42.2	140		-6	3-	-6
	AVAILABLE									53.8				120		-5	3-	-5
	AVAILABLE			400		16				45.8	72	68.4	34.2	100		-4	3-	-4
	AVAILABLE									37.8	56	52.4	26.2	80		-3	3-	-3
	AVAILABLE									29.8	44	40.4	20.2	60		-2	3-	-2
	AVAILABLE			600	8H	12	17	7.85	8.25	21.8	32	28.4	14.2	40	179031-1	3-	177986-1	
	NOT AVAILABLE									61.8	88	84.4	42.2	140		-6	2-	-6
	AVAILABLE									53.8				120		-5	2-	-5
	AVAILABLE			450		16				45.8	72	68.4	34.2	100		-4	2-	-4
	AVAILABLE									37.8	56	52.4	26.2	80		-3	2-	-3
	AVAILABLE									29.8	44	40.4	20.2	60		-2	2-	-2
	AVAILABLE			700	7H	12		6.85	7.25	21.8	32	28.4	14.2	40	179030-1	2-	177986-1	
	AVAILABLE									61.8	88	84.4	42.2	140		-6	1-	-6
	AVAILABLE									53.8				120		-5	1-	-5
	AVAILABLE			550		16				45.8	72	68.4	34.2	100		-4	1-	-4
	AVAILABLE									37.8	56	52.4	26.2	80		-3	1-	-3
	AVAILABLE									29.8	44	40.4	20.2	60		-2	1-	-2
	NOT AVAILABLE			800	6H	12		5.85	6.25	21.8	32	28.4	14.2	40	179029-1	1-	177986-1	
	NOT AVAILABLE									61.8	88	84.4	42.2	140		-6		-6
	AVAILABLE									53.8				120		-5		-5
	NOT AVAILABLE			650		16				45.8	72	68.4	34.2	100		-4		-4
	AVAILABLE									37.8	56	52.4	26.2	80		-3		-3
	AVAILABLE									29.8	44	40.4	20.2	60		-2		-2
	AVAILABLE			900	5H	12	17	4.85	5.25	21.8	32	28.4	14.2	40	177984-1		177986-1	

THIS DRAWING IS A CONTROLLED DOCUMENT FOR AMP INCORPORATED. IT IS SUBJECT TO CHANGE AND THE CONTROLLING ENGINEERING ORGANIZATION SHOULD BE CONTACTED FOR THE LATEST REVISION.

DWN T. KUSUHARA 8FEB93
 CHK L. ENOMOTO
 APVD ERIC TNG
 PRODUCT SPEC 108-5390
 APPLICATION SPEC 114-5254
 WEIGHT -
 MATERIAL - FINISH -

AMP AMP MANUFACTURING (SINGAPORE) PTE. LTD.

NAME PLUG ASSEMBLY (0.5 BOSS LENGTH) FOR FH 0.8 B-T-B CONN. ON TAPING

SIZE A3 CAGE CODE 00779 DRAWING NO C-177986

CUSTOMER DRAWING SCALE 2:1 SHEET 1 OF 1 REV AB