

**ORDERING CODE:**

**LCC17 - A3W3 P E - 2 N 0**

**SERIES**

LCC17 = HIGH CURRENT D-SUB

**ARRANGEMENT**

A = SHELL SIZE  
3W3 = 3 POSITION, 3 POWER

**CONNECTOR STYLE**

P = PIN  
S = SOCKET

**TERMINATION**

E = VERTICAL MOUNT PCB TAIL  
3.75mm [.148"] DIA;

**MOUNTING**

A = #4-40 THREADED STANDOFF  
WITH BOARDLOCK  
2 = 3.10mm [.122] DIA THROUGH HOLE  
4 = #4-40 UNC THREAD

**FILTER CAPACITANCE**

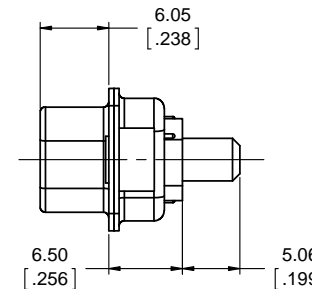
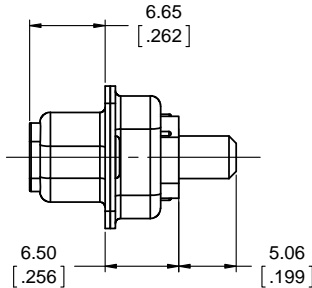
N = NO FILTERS

**MODIFIER**

0 = STANDARD

**NOTES:**

- MATERIALS: ALL MATERIALS ARE RoHS COMPLIANT PER EU DIRECTIVE 2011/65/EU AND AMENDMENTS.
  - SHELLS: STAMPED STEEL, TIN OVER NICKEL PLATED
  - INSULATOR: ENGINEERING THERMOPLASTIC, GLASS REINFORCED, HIGH TEMPERATURE RESISTANT, UL FLAMMABILITY RATING 94V-0, BLACK
  - PIN CONTACTS: COPPER ALLOY PLATED WITH 0.76µm (30µ") GOLD OVER 1.27µm (50µ") NICKEL
  - SOCKET CONTACTS: BERYLLIUM COPPER MATING GRID, COPPER ALLOY BALANCE PLATED WITH 0.76µm (30µ") GOLD OVER 1.27µm (50µ") NICKEL ON THE MATING AREA
  - BOARDLOCK: COPPER ALLOY, TIN PLATED
  - MOUNTING HARDWARE: STEEL OR COPPER ALLOY, TIN OR NICKEL PLATED
- ELECTRICAL CHARACTERISTICS
  - CURRENT RATING: 55 A PER CONTACT
  - CONTACT RESISTANCE: 0.25 MILLIOHMS MAX
  - DIELECTRIC WITHSTANDING VOLTAGE: 1500V DC
  - OPERATING TEMPERATURE: -40 °C TO +105 °C
- UL FILE NUMBER E64911

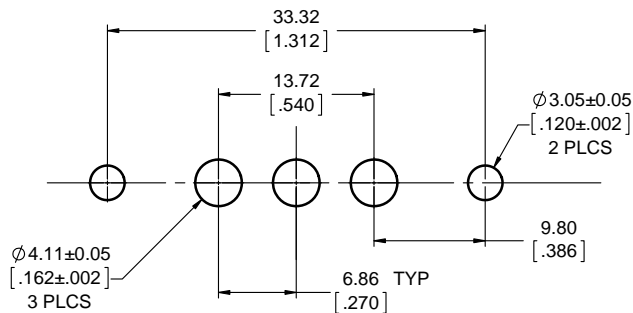
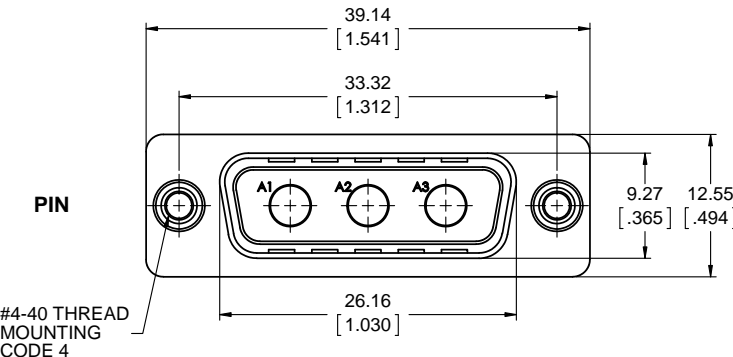
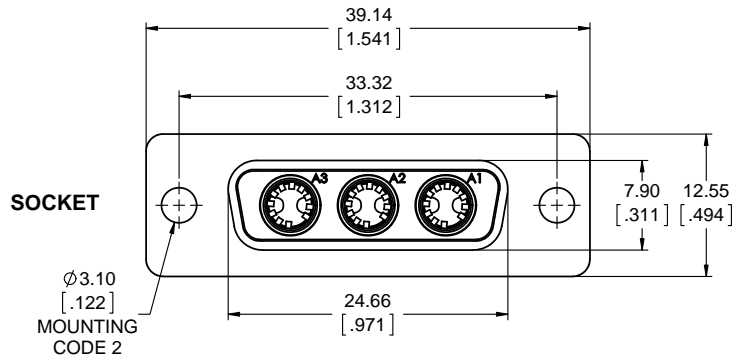


SEE SHEET 2  
FOR ADDITIONAL  
MOUNTING OPTIONS

**LOCATE HOLES**

⊕ Ø 0.13 [0.005]

POSITION DIMENSIONS  
ARE BASIC



**RECOMMENDED PCB LAYOUT**  
(COMPONENT SIDE OF BOARD)

THIS DOCUMENT CONTAINS PROPRIETARY INFORMATION AND SUCH INFORMATION MAY NOT BE DISCLOSED TO OTHERS FOR ANY PURPOSE OR USED FOR MANUFACTURING PURPOSES WITHOUT WRITTEN PERMISSION FROM AMPHENOL CANADA CORP.

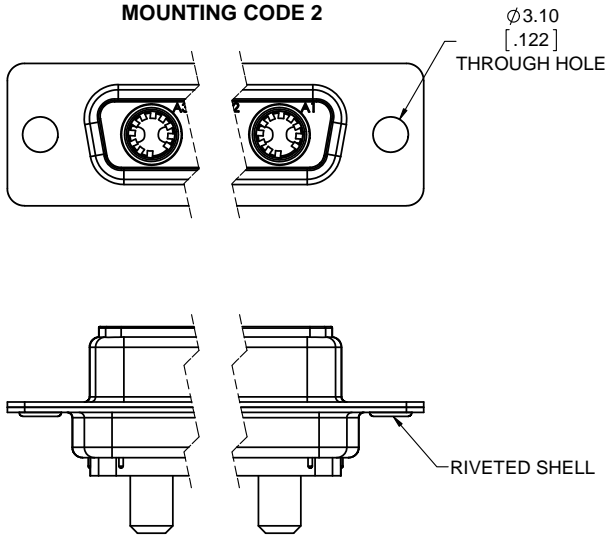
REVISIONS			
REV	DESCRIPTION, ECN, EAR NO.	DATE	APP'D
A	PROPOSAL DRAWING	NOV18/11	A.G
B	ADD UL FILE NO	JUL22/13	S.M.

UNLESS SPECIFIED OTHERWISE	DRAWN	S.CAELERS	NOV16/11
PRIMARY UNITS MILLIMETERS	CHECKED		
SECONDARY UNITS INCHES	M.E. APP'D		
REFERENCE IN PARENTHESES	Q.A. APP'D		
GENERAL TOLERANCES	DWG APPR.	A.GREEN	NOV18/11
1 DECIMAL PLACE	ENG. REL. NO.		
2 DECIMAL PLACES	REF.		
3 DECIMAL PLACES	THIRD ANGLE PROJECTION		
ANGULAR DEGREES	DO NOT SCALE DRAWING		

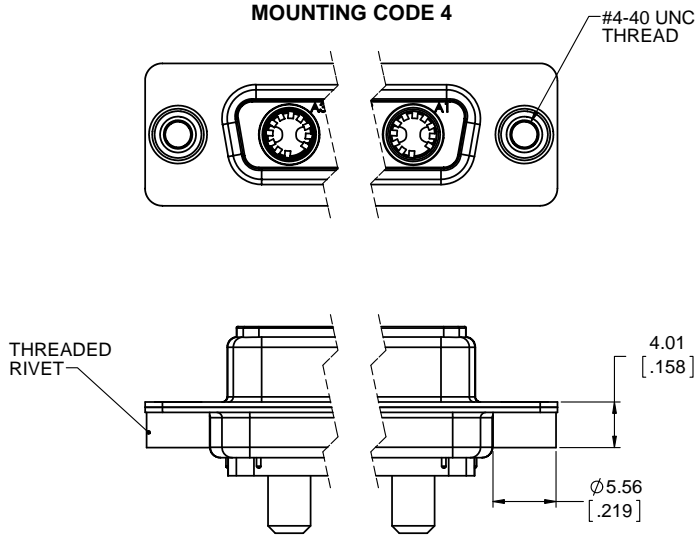
<b>Amphenol Canada Corp.</b>			
www.amphenolcanada.com			
LCC17 COOLPOWER D-SUB			
CONNECTOR, 3W3 ARRANGEMENT,			
Ø3.75mm [.148"] VERTICAL PCB TAIL,			
RoHS COMPLIANT			
DWG. NO.	REV	B	
<b>P-LCC17-A3W3XE-XN0</b>			
CODE ID NO. 03554	DWG SIZE: X	SCALE: 3:1	SHEET 1 OF 2

REVISIONS			
REV	DESCRIPTION, ECN, EAR NO.	DATE	APP'D
A	PROPOSAL DRAWING	NOV18/11	A.G
B	ADD UL FILE NO	JUL22/13	S.M.

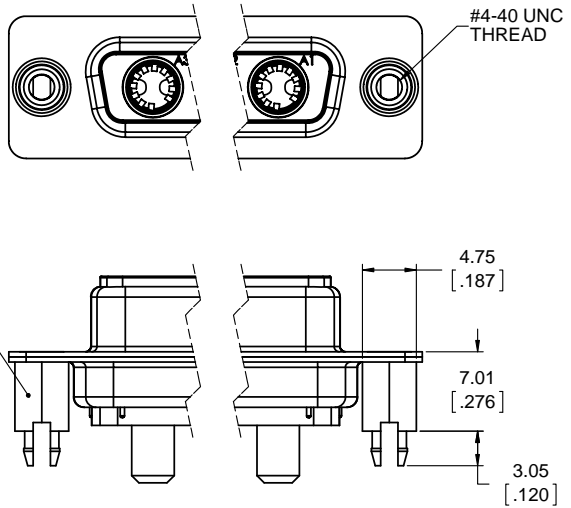
**MOUNTING CODE 2**



**MOUNTING CODE 4**



**MOUNTING CODE A**



**MOUNTING OPTIONS AVAILABLE FOR  
PIN OR SOCKET CONNECTOR**



UNLESS SPECIFIED OTHERWISE	DRAWN	S.CAELERS	NOV16/11
PRIMARY UNITS MILLIMETERS	CHECKED		
SECONDARY INCHES	M.E. APP'D		
REFERENCE IN PARENTHESES	Q.A. APP'D		
GENERAL TOLERANCES	DWG APPR.	A.GREEN	NOV18/11
1 DECIMAL PLACE	ENG. REL. NO.		
2 DECIMAL PLACES	REF.		
3 DECIMAL PLACES	THIRD ANGLE PROJECTION		
ANGULAR DEGREES	DO NOT SCALE DRAWING		

**Amphenol Canada Corp.**  
www.amphenolcanada.com

LCC17 COOLPOWER D-SUB  
CONNECTOR, 3W3 ARRANGEMENT,  
Ø3.75mm [.148"] VERTICAL PCB TAIL,  
RoHS COMPLIANT

DWG. NO. **P-LCC17-A3W3XE-XN0** REV **B**

CODE ID NO. 03554 DWG SIZE: X SCALE: 3:1 SHEET 2 OF 2