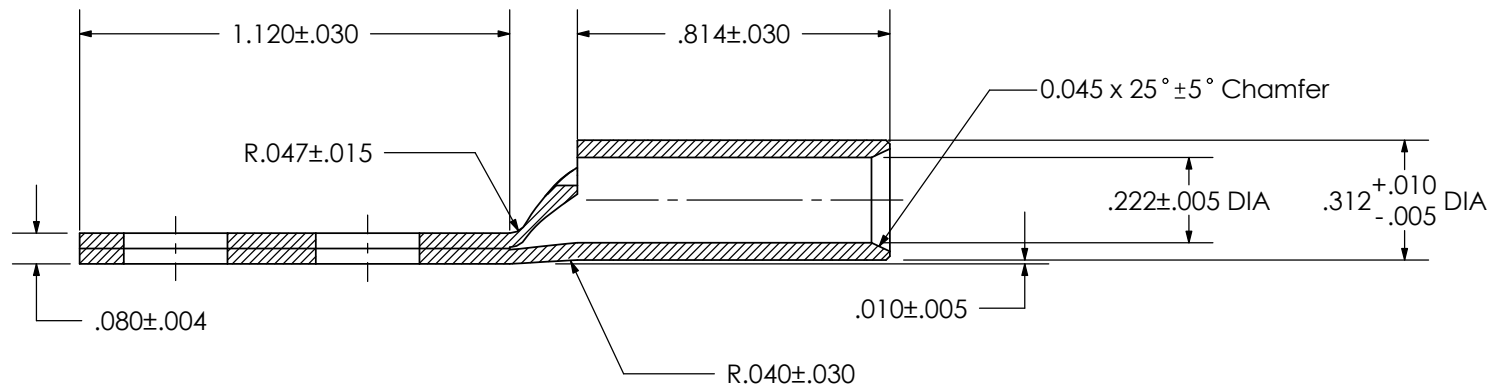
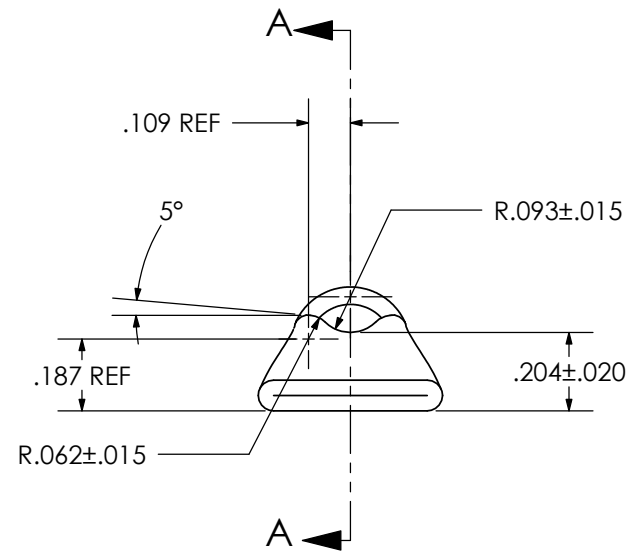
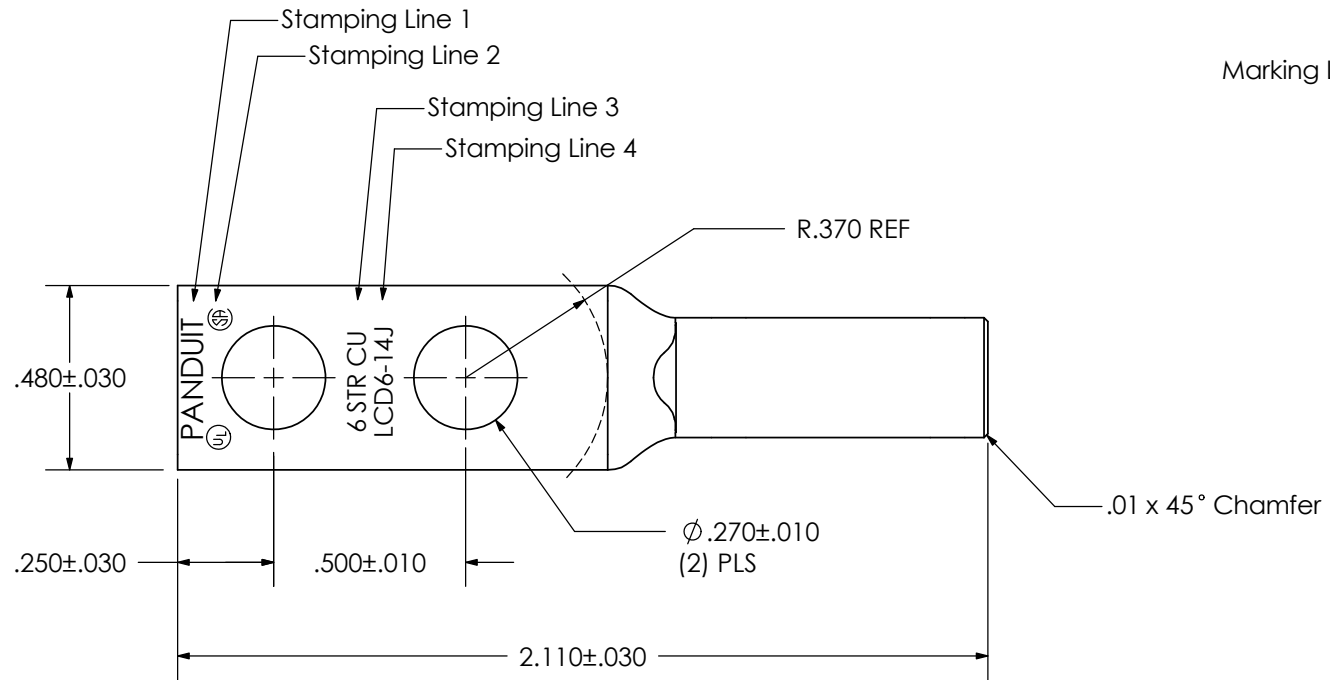
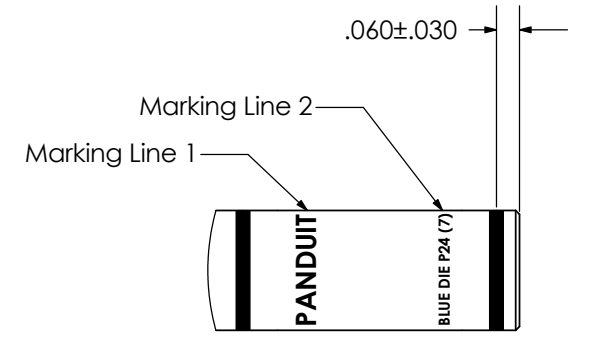


Notes:

1. Material: Copper tubing PCC022, per Panduit Material Specification T-MS-6.
2. Plating: Electro tin plate 200 micro inches minimum over all internal and external surfaces.
3. Parts to be free from burrs, .015 max, excessive scratches and indentations.
4. Ink mark barrel per Panduit drawing N01124FY .
5. Barrel marking shall be located so that the "PANDUIT" is located atop the barrel O.D. as shown in the Markings Location Detail.



SECTION A-A  
SCALE 2:1

Part Weight: 0.0221 lb  
 Mat'l Allocation Weight: 0.0318 lb  
 Plating Area: 2.8901 sq. in.  
 Pounds per Tote: 15.5  
 Plating Half Barrel Quantity: 700  
 Box Quantity: 50  
 Box: PBX433  
 Label: TT33GBWA  
 Stuffer: T-PMPI-63-PC  
 Cut Length: 2.600+/-0.004

|     |      |      |      |                                |     |      |    |     |       |   |  |  |  |
|-----|------|------|------|--------------------------------|-----|------|----|-----|-------|---|--|--|--|
|     |      |      |      |                                |     |      |    |     |       | <b>PANDUIT CORP. TINLEY PARK, ILLINOIS</b>  |  |  |  |
|     |      |      |      |                                |     |      |    |     |       | LCD6-14J-L Product Control Drawing  |  |  |  |
|     |      |      |      |                                |     |      |    |     |       | UNLESS OTHERWISE SPECIFIED<br>DIMENSIONAL TOLERANCES ARE:<br>(.X) ±      (.XXX) ±<br>(.XX) ±     ANGLES ± |  | UNLESS OTHERWISE SPECIFIED,<br>ALL DIMENSIONS ARE GIVEN IN<br>INCHES, THIRD ANGLE PROJECTION |  |
|     |      |      |      |                                |     |      |    |     |       | DRAWN BY<br>DRL   |  | SCALE<br>2:1   |  |
|     |      |      |      |                                |     |      |    |     |       | DATE<br>4/22/02   |  | DRAWING NO / CAD FILE<br>LCD6-14J-PCD  |  |
|     |      |      |      |                                |     |      |    |     |       | MAT'L:<br>SEE<br>NOTE 1<br>ABOVE  |  | DWG<br>B<br>SIZE   |  |
| 01  | 9/07 | JHNU | JHNU | REMOVED NAVY NUMBER FROM STAMP | ECN | CUST | QA | APP | CHK'D |   |  |  |  |
| REV | DATE | BY   | CHK  | DESCRIPTION                    | ECN | CUST | QA | APP | CHK'D |   |  |  |  |