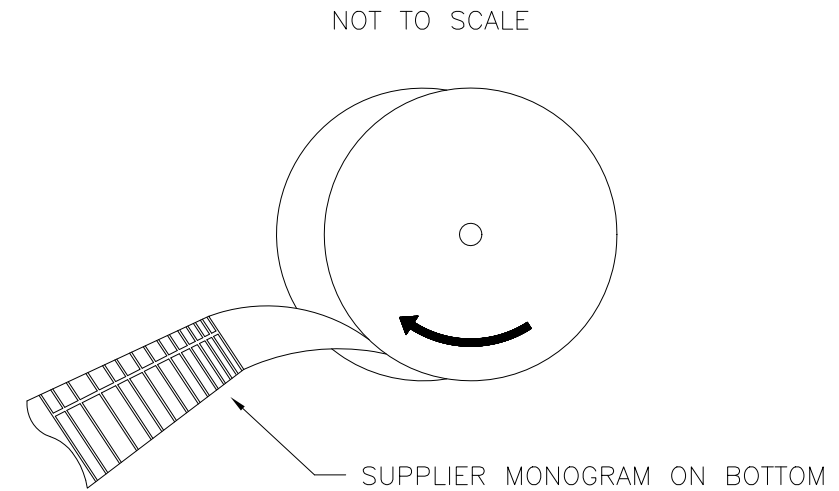
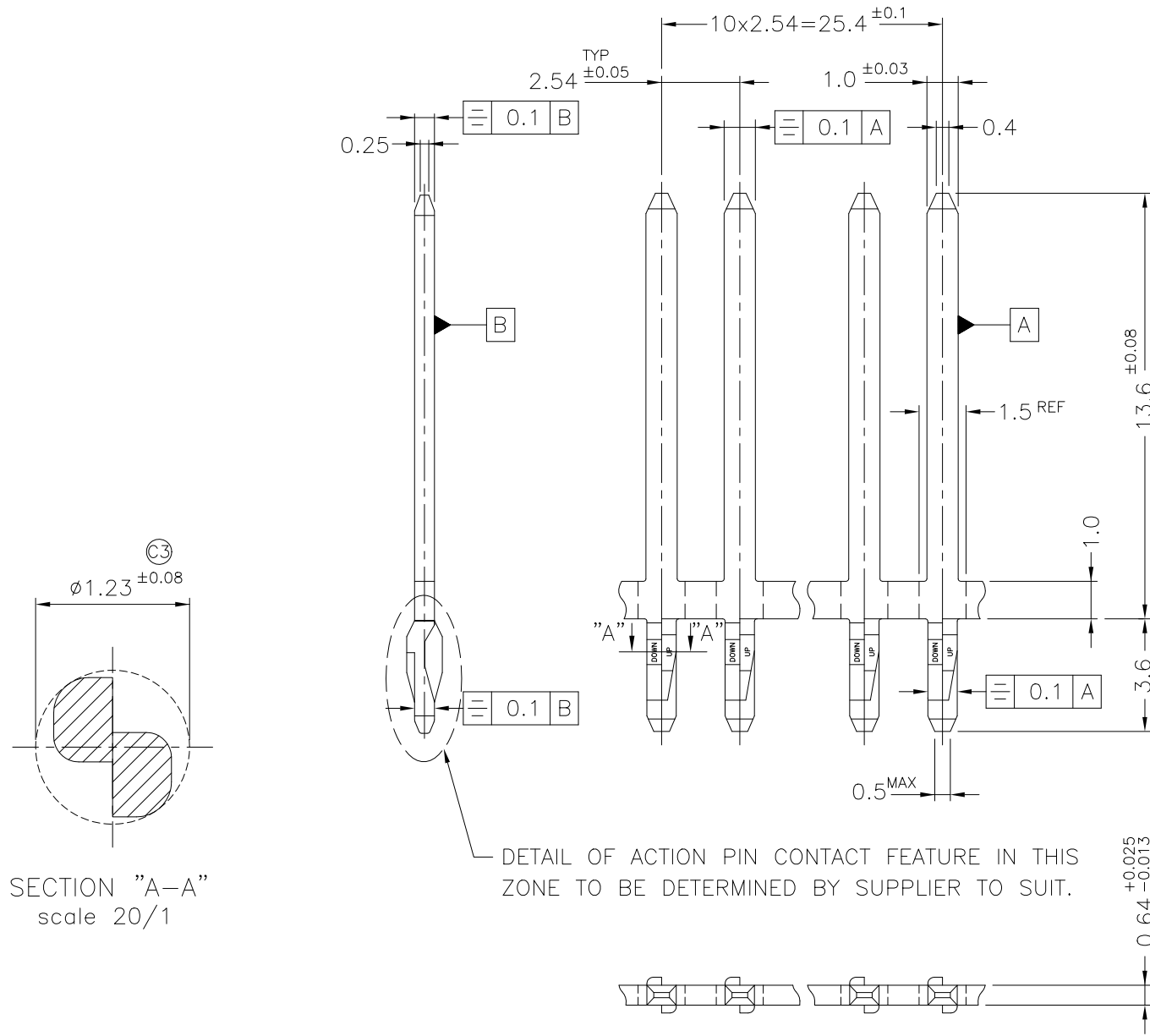


THIS DRAWING IS UNPUBLISHED. RELEASED FOR PUBLICATION  
 © COPYRIGHT BY TYCO ELECTRONICS CORPORATION, ALL RIGHTS RESERVED.

LOC	DIST	REVISIONS					
		P	LTR	DESCRIPTION	DATE	DWN	APVD
			O	RELEASED (FC00-0016-00)	03.FEB'00	YM	CS
			A	REVISED (FC00-0152-00)	30.NOV'00	YM	CS
			B	REVISED (FC00-0088-01)	25.JUL'01	YM	CS
			C	REVISED (FC00-0068-03)	13.MAY'03	HS	CS
			C1	REVISED (ECR-06-007293)	27.MAR'06	YH	JK
			C2	REVISED (ECR-06-011318)	06.JUL'06	YH	JK
			C3	REVISED (ECR-07-005371)	27.AUG'07	SG	HG



SECTION "A-A"  
scale 20/1

③ \* NOTES;

- ① PHOSPHOR BRONZE- HARD
- 2 TRIMMING DIMENSION IS DETERMINED BY THE PRE-SETTING ON THE TE MACHINE.
- 3 PCB HOLE SIZE;  
DRILLED HOLE  $\phi$ ; 1.15  $\pm$  0.025  
FINISHED HOLE  $\phi$ ; 0.94 ~ 1.09  
Cu- THICKNESS; 0.025 ~ 0.075  
SnPb- THICKNESS; 0.004 ~ 0.010
- 4 DIMENSIONS APPLY BEFORE PLATING

600mm PLASTIC REEL/30M	TIN PLATING	①	1-368405-2
585mm PAPER REEL/30M	TIN PLATING	①	368405-2
REEL/Q'TY	FINISH	MATERIAL	PART NUMBER

THIS DRAWING IS A CONTROLLED DOCUMENT FOR TYCO ELECTRONICS CORPORATION IT IS SUBJECT TO CHANGE AND THE CONTROLLING ENGINEERING ORGANIZATION SHOULD BE CONTACTED FOR THE LATEST REVISION.		DWN : SG OH		AMP KOREA, kyungsan, korea	
DIMENSIONS: MM DIMENSIONS APPLY BEFORE PLATING		CHK : YD LEE			
TOLERANCES UNLESS OTHERWISE SPECIFIED: 0 <XX<10 ± 0.2 10 <XX<30 ± 0.25 30 <XX<100 ± 0.3 ANGLES ± 3°		APVD : HG CHD		NAME	
		PRODUCT SPEC		ACTION-PIN FOR .040 TYPE	
		APPLICATION SPEC			
MATERIAL ①		WEIGHT		SIZE	CAGE CODE
FINISH SEE TABLE		CUSTOMER DRAWING		A3	00779
				DRAWING NO	RESTRICTED TO
				3 6 8 4 0 5	
				SCALE 10/1	SHEET 1 OF 1
				REV C3	