

THIS DRAWING IS UNPUBLISHED. RELEASED FOR PUBLICATION
 © COPYRIGHT - BY TYCO ELECTRONICS CORPORATION. ALL RIGHTS RESERVED.

LOC	DIST	REVISIONS					
GZ	00	P	LTR	DESCRIPTION	DATE	DWN	APVD
		A		NEW FORMAT & EC0720-0089-04	13FEB04	MD	KH

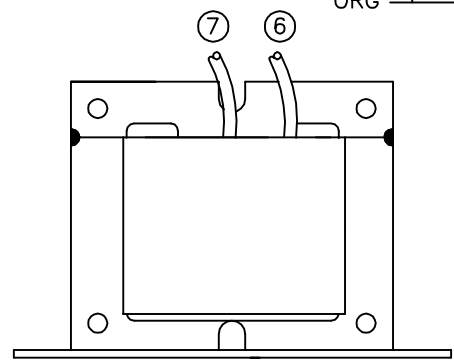
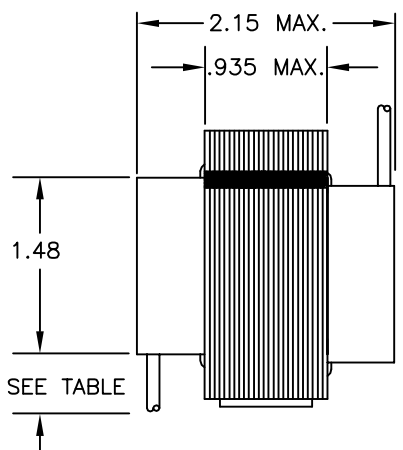
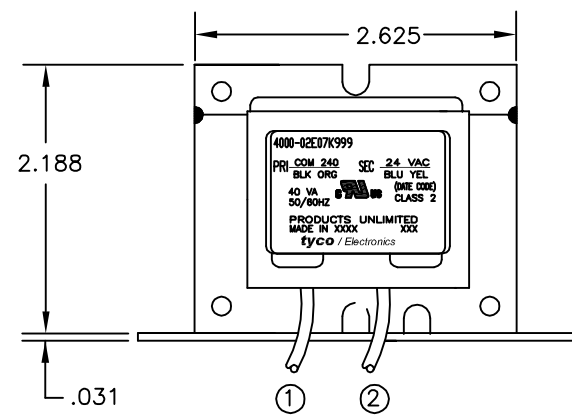
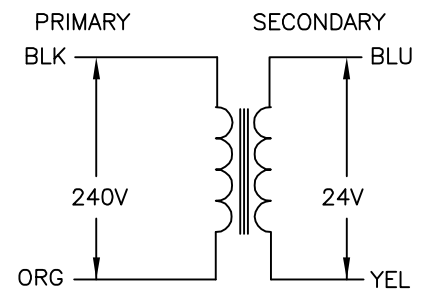
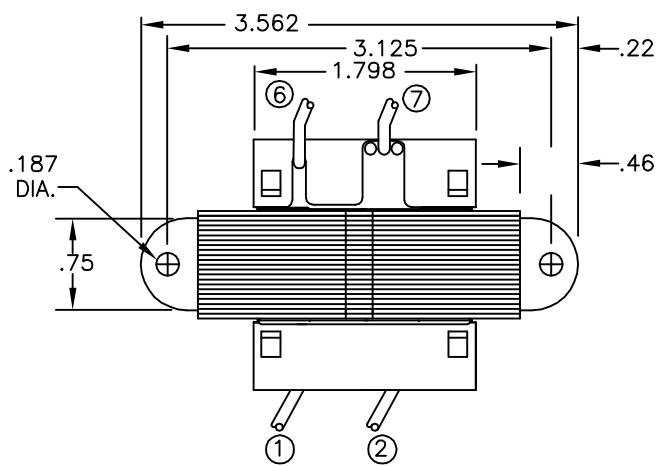
ALL LEADS 18AWG--UNLESS OTHERWISE SPECIFIED

PRIMARY			
LEAD NO.	1	2	
VOLTAGE	COM	240	
COLOR	BLK	ORG	
LENGTH	12.0	12.0	
STRIP LENGTH	.50	.50	

- NOTES
1. DIMENSIONS FOR REFERENCE ONLY.
 2. ALL LEADS +1"/-0" TOL.
 3. STRIP TOL. ±1/32
 4. WINDING PROTECTION--INHERENTLY LIMITING

CERTIFICATION:
UL & CUL FILE NO. E87824

SECONDARY			
LEAD NO.	6	7	
VOLTAGE	24	VAC	
COLOR	BLU	YEL	
LENGTH	12.0	12.0	
STRIP LENGTH	.50	.50	



THIS DRAWING IS A CONTROLLED DOCUMENT.		DWN	M.DAVIS	13FEB04
DIMENSIONS: INCHES		CHK	K.HOLSCHUH	13FEB04
TOLERANCES UNLESS OTHERWISE SPECIFIED:		APVD	K.HOLSCHUH	13FEB04
0 PLC	± -	NAME		
1 PLC	± -	TRANSFORMER OUTLINE		
2 PLC	± -	SIZE	A3	CAGE CODE
3 PLC	± -	DRAWING NO	C=4000-02E07K999	
4 PLC	± -	RESTRICTED TO	-	
ANGLES	± -	SCALE	NTS	
MATERIAL	-	FINISH	-	
WEIGHT		SHEET 1 OF 1		
CUSTOMER DRAWING		REV A		