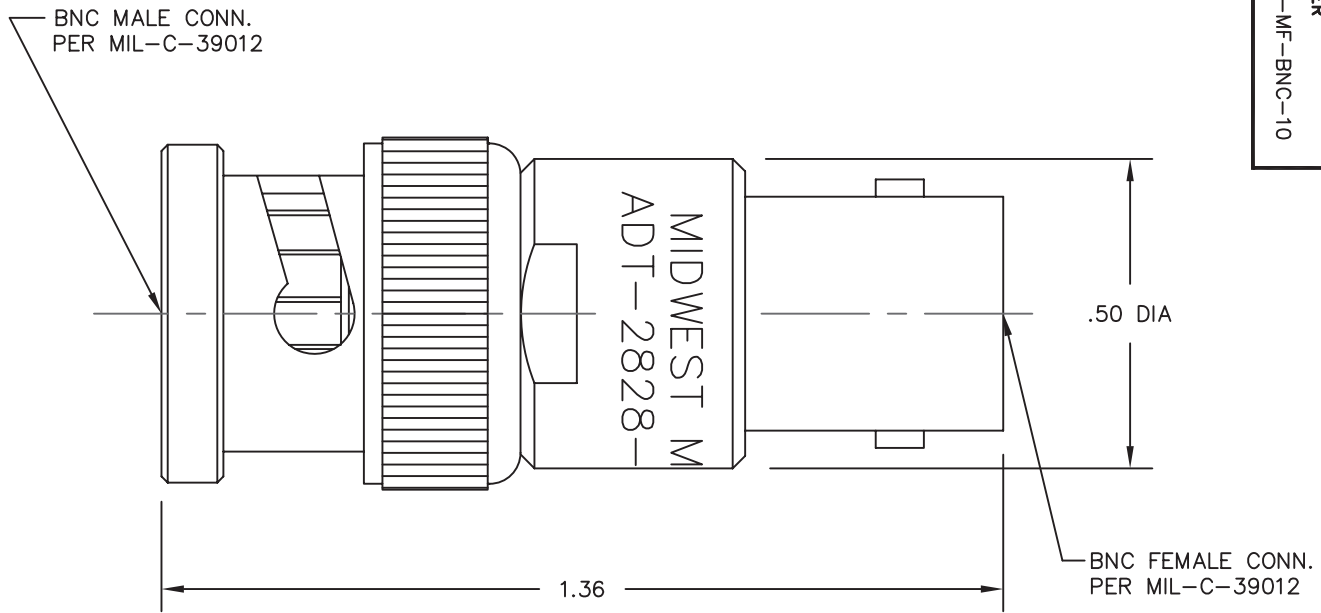


MODEL NUMBER
ADT-2828-MF-BNC-10


NOTES:
 1.0 ELECTRICAL SPECIFICATIONS:
 1.1 FREQUENCY RANGE: DC to 4.0 GHz
 1.2 MAXIMUM VSWR: 1.15:1
 1.3 IMPEDANCE: 50Ω
 2.0 MARKING:
 2.1 INK STAMP UNIT WITH THE FOLLOWING:
 MIDWEST MICROWAVE
 ADT-2828-MF-BNC-10
 USING IN-HOUSE INK STAMP
 AND BLACK MARKEM INK #7251



REV.	DESCRIPTION	DATE
-	RELEASED	6/9/94

NOTICE: The information contained in this drawing is proprietary and must not be used without the permission of Cinch Connectivity Solutions.

UNLESS OTHERWISE NOTED DIMENSIONS ARE IN INCHES AND TOLERANCES ARE:
 3 PLACE DECIMALS ±.005
 2 PLACE DECIMALS ±.02
 FRACTIONS ±1/64
 PARALLELITY: T.I.R. _____
 FLATNESS: T.I.R. _____
 CONCENTRICITY: T.I.R. _____
 ANGLES AND PERPENDICULARITY: ±1'

CAGE CODE 34078		MIDWEST MICROWAVE	
 cinch CONNECTIVITY SOLUTIONS <small>a bel group</small>		TITLE BNC MALE/BNC FEMALE ADAPTER OUTLINE DRAWING	
		DRAWN/DATE M.HOLLMAN 6/6/94	ENG./DATE A.OSGA 6/8/94
CHECKED/DATE	APPROVED/DATE	SCALE: 5=1	SHEET 1 of 1