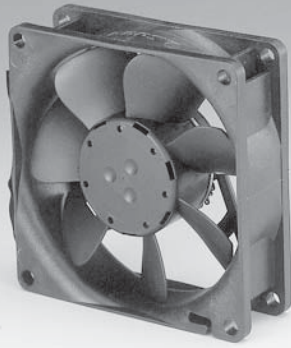


8400N Series

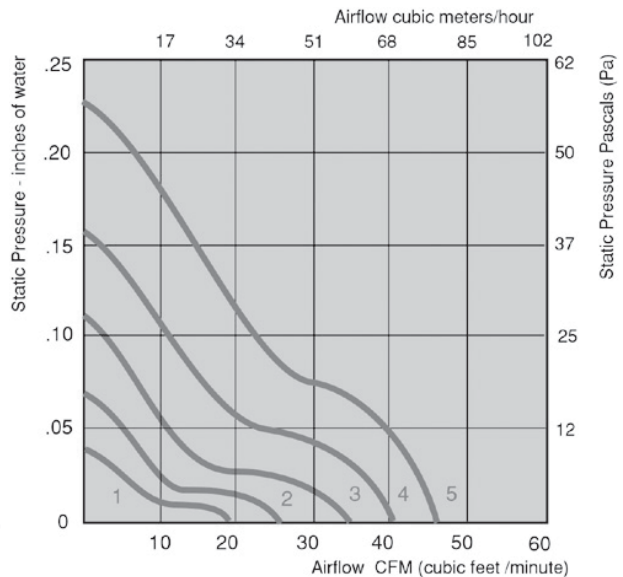
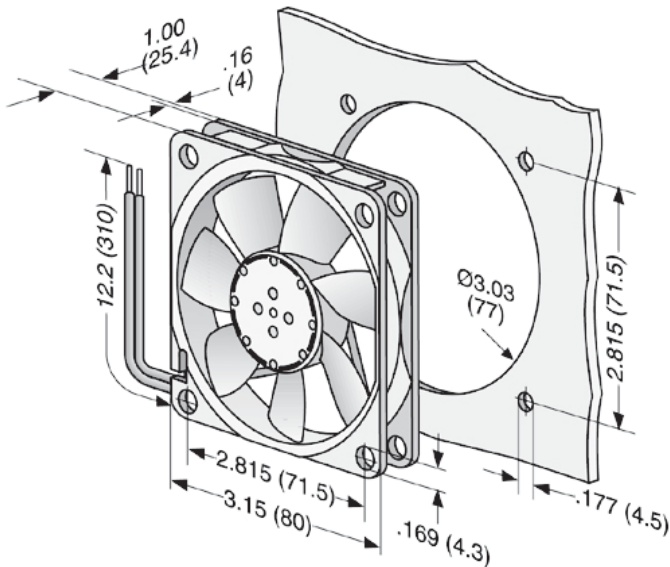
Tubeaxial

80x80x25mm



- DC fans with electronically commutated external rotor motor. Fully integrated commutation electronics.
- With electronic protection against reverse polarity, blocking and overloading; partially impedance protected.
- Mounting from either face using four 4.3 mm holes.
- Fan of fiberglass reinforced plastic. PBTP housing, PA impeller.
- Air exhaust over struts. Rotational direction CCW looking at rotor.
- Electrical connection via 2 leads AWG 24, TR 64. Stripped and tinned ends.
- UL, CSA, VDE approvals on some models, please contact application engineering.

Part Number	Curve	CFM @ 0	VDC	Volt. Range	Power (W)	dBA	Max Amb. Temp C	Bearing Type	Features	Wgt. (lbs)
8412NGL	1	19	12	8 to 15	0.6	12	70	Sintec	Leads	0.31
8412NL	1	19	12	8 to 15	0.6	17	70	Ball	Leads	0.31
8412NGML	2	27	12	8 to 15	0.9	19	70	Sintec	Leads	0.31
8412NML	2	27	12	8 to 15	0.9	21	70	Ball	Leads	0.31
8412NGM	3	34	12	8 to 15	1.3	26	70	Sintec	Leads	0.31
8412NM	3	34	12	8 to 15	1.3	27	70	Ball	Leads	0.31
8412NG	4	41	12	8 to 15	2.0	32	70	Sintec	Leads	0.31
8412N	4	41	12	8 to 15	2.0	32	70	Ball	Leads	0.31
8412NH	5	47	12	8 to 13.2	2.2	37	70	Ball	Leads	0.31
8412NGH	5	47	12	8 to 13.2	2.2	37	70	Sintec	Leads	0.31
8414NL	1	19	24	18 to 28	0.7	17	70	Ball	Leads	0.31
8414NGL	1	19	24	18 to 28	0.7	12	70	Sintec	Leads	0.31
8414NML	2	27	24	18 to 28	1.1	21	70	Ball	Leads	0.31
8414NGML	2	27	24	18 to 28	1.1	19	70	Sintec	Leads	0.31



8400N Series cont. Tubeaxial

80x80x25mm



- DC fans with electronically commutated external rotor motor. Fully integrated commutation electronics.
- With electronic protection against reverse polarity, blocking and overloading; partially impedance protected.
- Mounting from either face using four 4.3 mm holes.
- Fan of fiberglass reinforced plastic. PBTP housing, PA impeller.
- Air exhaust over struts. Rotational direction CCW looking at rotor.
- Electrical connection via 2 leads AWG 24, TR 64. Stripped and tinned ends.
- UL, CSA, VDE approvals on some models, please contact application engineering.

Part Number	Curve	CFM @ 0	VDC	Volt. Range	Power (W)	dBA	Max Amb. Temp C	Bearing Type	Features	Wgt. (lbs)
8414NGM	3	34	24	18 to 28	1.4	26	70	Sintec	Leads	0.31
8414NM	3	34	24	18 to 28	1.4	27	70	Ball	Leads	0.31
8414N	4	41	24	18 to 28	2.0	32	70	Ball	Leads	0.31
8414NG	4	41	24	18 to 28	2.0	32	70	Sintec	Leads	0.31
8414NGH	5	47	24	18 to 28	2.4	37	70	Sintec	Leads	0.31
8414NH	5	47	24	18 to 26	2.4	37	70	Ball	Leads	0.31

