

LOC	DIST	REVISIONS					
A	00	P	LTR	DESCRIPTION	DATE	DWN	APVD
			D1	ECR-14-008618	6-2014	MY	GB


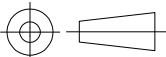
SEE CUSTOMER ACCESSIBLE  
 PRODUCTION DRAWING  
 680010

RELEASED FOR PUBLICATION

ALL RIGHTS RESERVED.

THIS DRAWING IS UNPUBLISHED.

© COPYRIGHT - By -

DIMENSIONS: INCHES	DWN	05MAR2012	MATERIAL	-	FINISH	-
	CHK	-	 TE Connectivity			
TOLERANCES UNLESS OTHERWISE SPECIFIED:	APVD	-				
0 PLC ± -	PRODUCT SPEC	-	NAME			
1 PLC ± -	APPLICATION SPEC	-	END FEED HDM APPLICATOR			
2 PLC ± -	WEIGHT	-	SIZE	CAGE CODE	DRAWING NO	RESTRICTED TO
3 PLC ± -			A4	00779	C-680010	-
4 PLC ± -			CUSTOMER DRAWING			
ANGLES ± -			SCALE	SHEET	REV	
			1:1	1 OF 1	D1	