

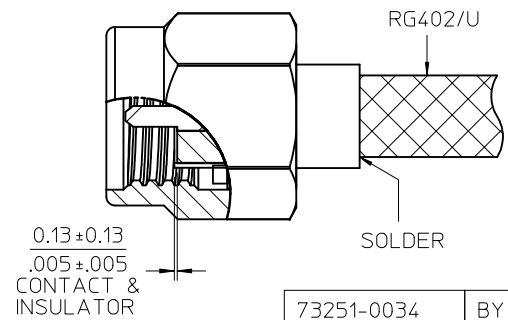
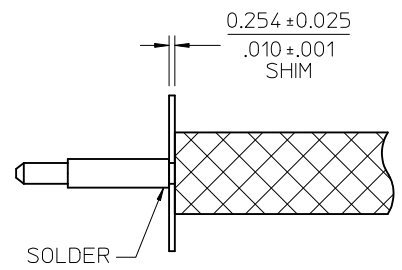
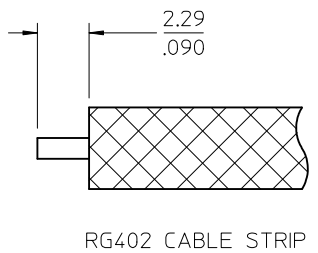
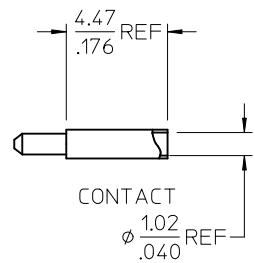
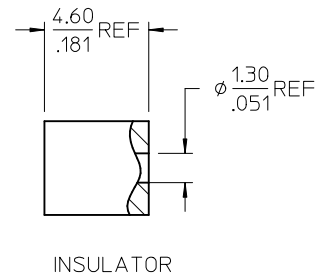
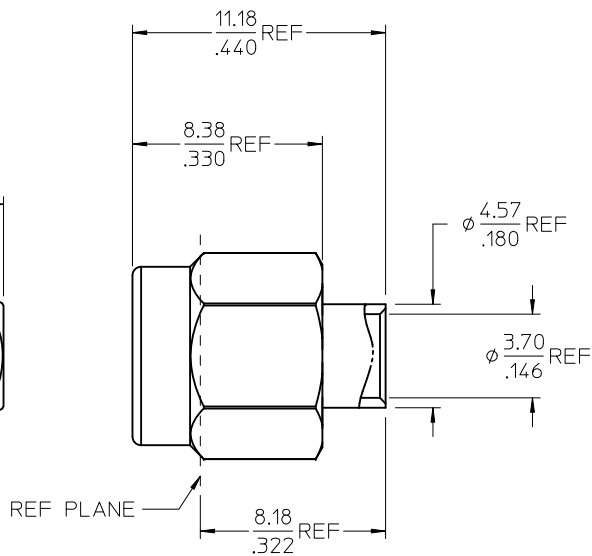
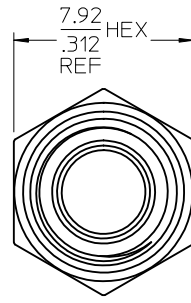
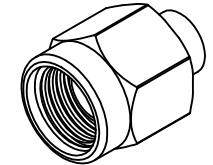
MATERIALS AND FINISHES:

BODY: STAINLESS STEEL  
PLATED GOLD (SEE TABLE)

COUPLING NUT: STAINLESS STEEL  
PASSIVATED -0031 -0032 -0033  
PLATED GOLD (8 U" MIN) -0034

CENTER CONTACT: BRASS  
PLATED GOLD (SEE TABLE)

INSULATOR: TEFLON



USING CONTACT LOCATOR TOOL 89676-3600, SLIP CONTACT/CABLE INTO SMA ASSEMBLY UNTIL BOTTOMS. SOLDER CABLE TO SMA ASSEMBLY.

USING INSULATOR INSERTION TOOL 89676-3100 PRESS INSULATOR TO DIMENSION SHOWN.

PS-89675-346	ELECTRO/MECH PERFORM.
MIL-STD-348A, FIG. 310.1	INTERFACE
SPECIFICATION	DESCRIPTION

73251-0034	BY TRAY	8 MICROINCHES	8 MICROINCHES
73251-0033	BY BAG	30 MICROINCHES	30 MICROINCHES
73251-0032	BY TRAY (20 CAV)	10 MICROINCHES	30 MICROINCHES
73251-0031	BY BAG	10 MICROINCHES	30 MICROINCHES
PART NO.	PACKAGING	FINISH BODY	FINISH CONTACT

CHG: ADDED -0034	DESCRIPTION
EC NO: URF2011-0594	2011/04/08
DRWN: ROBERTSON	2011/04/08
CHKD: JYL	2011/04/08
APPR: WIENER	2011/04/11
REV	A6

QUALITY SYMBOLS	▽=0
	▽=0

GENERAL TOLERANCES (UNLESS SPECIFIED)	DIMENSION STYLE
	MM/IN
4 PLACES ± --- ± ---	DRAWN BY DATE
3 PLACES ± --- ± ---	NBJ 1997/12/01
2 PLACES ± --- ± ---	CHECKED BY DATE
1 PLACE ± --- ± ---	DHG 1998/01/05
	APPROVED BY DATE
	GMH 1998/01/06
ANGULAR ± 1 °	
DRAFT WHERE APPLICABLE MUST REMAIN WITHIN DIMENSIONS	

MATERIAL NO.	DOCUMENT NO.
SEE TABLE	SD-73251-003
SIZE	
C	

SCALE	DESIGN UNITS	THIRD ANGLE PROJECTION
	METRIC	
TITLE		
SMA PLUG, SOLDER TYPE FOR RG402 CABLE, 50 OHMS SMA-PC, EWR-1980		
MOLEX MOLEX INCORPORATED		
SHEET NO.	1 OF 1	