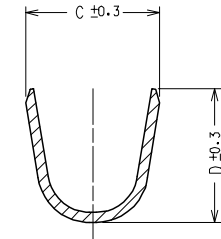
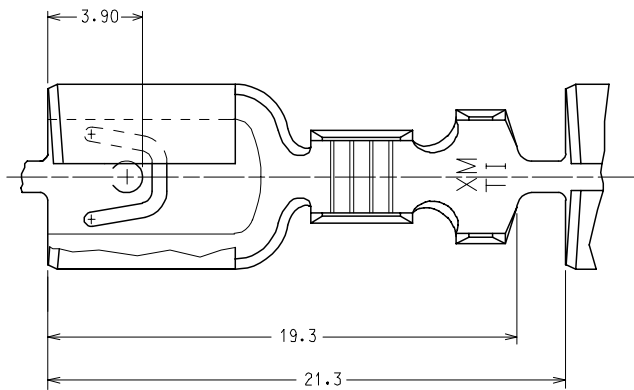


SECTION A - A



SECTION B - B



CODICE P/N	FINITURA PLATING	MATERIALE MATERIAL	SEZ. RAME WIRE RANGE	Ø ISOLANTE INS. RANGE	DIMENSIONI / DIMENSION							CONFEZIONAMENTO PACKING QUANTITY
					A	B	C	D	E	F	G	
94513 - 0100	greggio/plain	ottone brass	0.5 - 1.0	2.0 - 3.3	3.0	3.0	4.5	4.5	4.2	2.4	8.3	21.000 pezzi/pcs.
94513 - 0101	stagnato/tin		1.0 - 2.5	2.7 - 4.3	3.8	4.0	5.5	5.5	4.2	2.5	8.5	18.000 pezzi/pcs.
94513 - 0200	greggio/plain	alpacca german silver	0.5 - 1.0	2.0 - 3.3	3.0	3.0	4.5	4.5	4.2	2.4	8.3	21.000 pezzi/pcs.
94513 - 0201	stagnato/tin		1.0 - 2.5	2.7 - 4.3	3.8	4.0	5.5	5.5	4.2	2.5	8.5	18.000 pezzi/pcs.
94513 - 0130	greggio/plain	alpacca german silver	0.5 - 1.0	2.0 - 3.3	3.0	3.0	4.5	4.5	4.2	2.4	8.3	21.000 pezzi/pcs.
94513 - 0230			1.0 - 2.5	2.7 - 4.3	3.8	4.0	5.5	5.5	4.2	2.5	8.5	18.000 pezzi/pcs.
94513 - 0111	nichelato nickel	acciaio steel	0.5 - 1.0	2.0 - 3.3	3.0	3.0	4.5	4.5	4.2	2.4	8.3	21.000 pezzi/pcs.
94513 - 0211			1.0 - 2.5	2.7 - 4.3	3.8	4.0	5.5	5.5	4.2	2.5	8.5	18.000 pezzi/pcs.

-SPECIFICA DI RIFERIMENTO : PS 94513

IMPIEGATO CON HOUSING 94504-0100

-REFERENCE SPECIFICATION : PS 94513

TO BE USED WITH HOUSING P/N 94504-0100

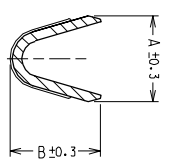
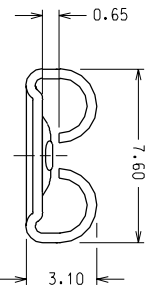
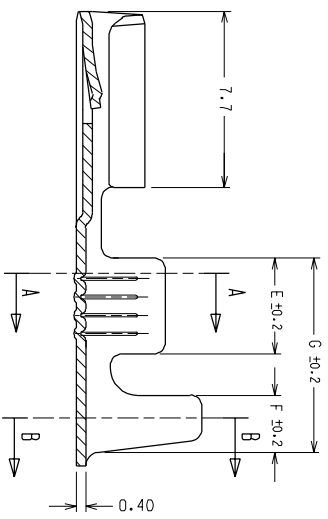
-CONFEZIONE STANDARD : 3 BOBINE x SCATOLA (ved. tab.)

-STANDARD PACKING QUANTITY : 3 REELS x BOX (see chart)

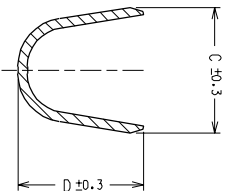
Std.Descr.: LIF FEM TERM [material] [plating] [wire range]

e.g.: LIF FEM TERM GERMAN SILVER UNPL 1.0-2.5

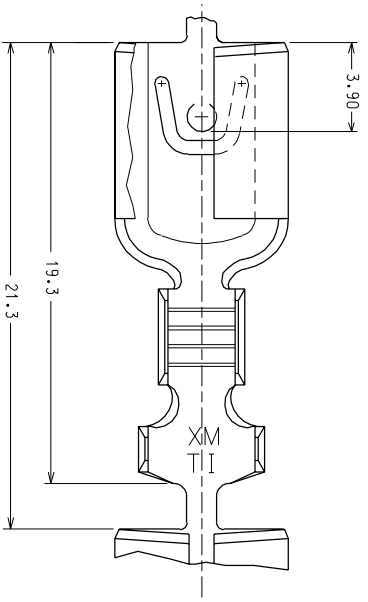
ENTER DESCRIPTION EC NO: Z2005-0082 DRAWN:FGOTTARD 2004/12/02 CHKD:RSANDANO 2004/12/02 APPR:GZUIN 2004/12/09	QUALITY SYMBOLS ▽=0 ▽C=0	GENERAL TOLERANCES (UNLESS SPECIFIED)		DIMENSION STYLE MM ONLY		SCALE 5:1	DESIGN UNITS METRIC	FIRST ANGLE PROJECTION		
			mm	INCH	DRAWN BY LSANTESS	DATE 1991/11/18	TITLE QIK KONNECT RECEPTACLE FOR 6.3 X 0.8 TABS -LIF-			
		4 PLACES	± ---	± ---	CHECKED BY	DATE				
		3 PLACES	± ---	± ---	APPROVED BY MPREVIAT		DATE 1991/11/18	MOLEX INCORPORATED		
2 PLACES	± 0.1	± ---	MATERIAL NO.		DOCUMENT NO. SD-94513-001	SHEET NO. 1 OF 1				
1 PLACE	± 0.2	± ---	DRAFT WHERE APPLICABLE MUST REMAIN WITHIN DIMENSIONS		SIZE A3	THIS DRAWING CONTAINS INFORMATION THAT IS PROPRIETARY TO MOLEX INCORPORATED AND SHOULD NOT BE USED WITHOUT WRITTEN PERMISSION				
ANGULAR ± 3 °										



SECTION A - A



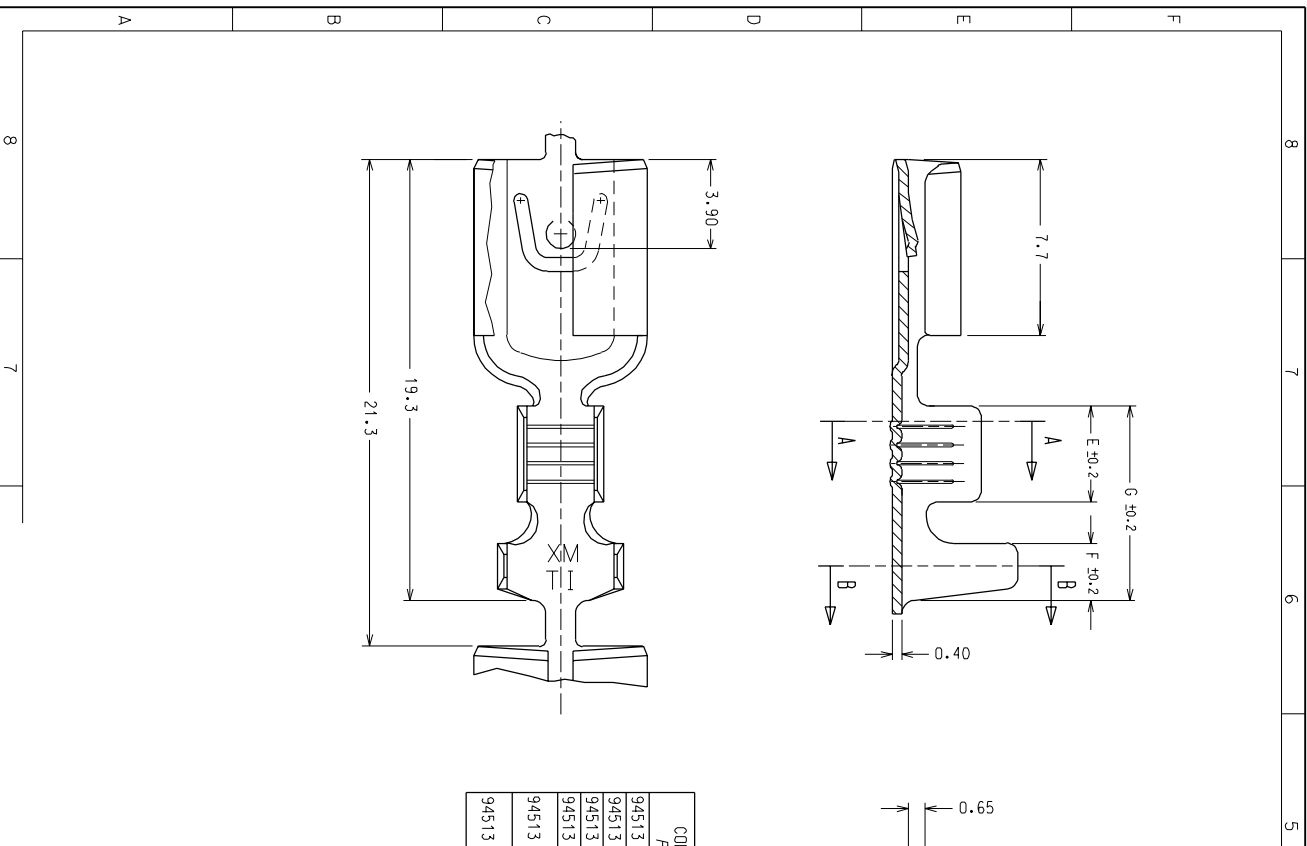
SECTION B - B



CODICE P/N	FINITURA PLATING	MATERIALE MATERIAL	SEZ. RANGE WIRE RANGE	Ø ISOLANTE INS. RANGE	DIMENSIONI / DIMENSION							CONFEZIONAMENTO PACKING QUANTITY
					A	B	C	D	E	F	G	
94513 - 0100	gr eggio/pldn	ottone	0.5 - 1.0	2.0 - 3.3	3.0	4.5	4.5	4.2	2.4	8.3	21.000	pezzi/pacs.
94513 - 0101	stagnato/th	brass	1.0 - 2.5	2.7 - 4.3	3.8	4.0	5.5	4.2	2.5	8.5	18.000	pezzi/pacs.
94513 - 0200	gr eggio/pldn	ottone	1.0 - 2.5	2.7 - 4.3	3.8	4.0	5.5	4.2	2.5	8.5	18.000	pezzi/pacs.
94513 - 0201	stagnato/th	brass	1.0 - 2.5	2.7 - 4.3	3.8	4.0	5.5	4.2	2.5	8.5	18.000	pezzi/pacs.
94513 - 0130	gr eggio/pldn	dipoccd	0.5 - 1.0	2.0 - 3.3	3.0	4.5	4.5	4.2	2.4	8.3	21.000	pezzi/pacs.
94513 - 0230	gr eggio/pldn	german silver	1.0 - 2.5	2.7 - 4.3	3.8	4.0	5.5	4.2	2.5	8.5	18.000	pezzi/pacs.

-SPECIFICA DI RIFERIMENTO : PS 94513  
 -REFERENCE SPECIFICATION : PS 94513  
 -CONFEZIONE STANDARD : 3 BOBINE x SCATOLA (ved. tab.)  
 -STANDARD PACKING QUANTITY : 3 REELS x BOX (see chart)

IMPIEGATO CON HOUSING 94504-0100  
 TO BE USED WITH HOUSING P/N 94504-0000



A3	ECN Z7-014 24-07-97 mod. spessore G.F.														
A2	ECN Z5-006 09-01-95 Agg.rif. PS 94513 S.L.														
A1	ECN Z3-127 27-09-93 Agg.art.in alpacca G.F.														
A	EMESSO DISCNO 18-11-91 S. L.														
LTR	REVISIONS														
<table border="1"> <tr> <th>DESIGN DIMENSION</th> <th>Ø (MM)</th> <th>Ø (IN)</th> </tr> <tr> <td>(PRIMARY)</td> <td>□</td> <td>□</td> </tr> <tr> <td>EQUIVALENT DIMENSION</td> <td>□</td> <td>□</td> </tr> <tr> <td>(SECONDARY)</td> <td>□</td> <td>□</td> </tr> </table>		DESIGN DIMENSION	Ø (MM)	Ø (IN)	(PRIMARY)	□	□	EQUIVALENT DIMENSION	□	□	(SECONDARY)	□	□		
DESIGN DIMENSION	Ø (MM)	Ø (IN)													
(PRIMARY)	□	□													
EQUIVALENT DIMENSION	□	□													
(SECONDARY)	□	□													
<table border="1"> <tr> <th>DIMENSIONS SHOWN (METRIC) INCH</th> <th>UNLESS OTHERWISE SPECIFIED TOLERANCES ANGLES ± 3°</th> </tr> <tr> <td>3 PLACE ±</td> <td>± 0.10</td> </tr> <tr> <td>2 PLACE ±</td> <td>± 0.20</td> </tr> <tr> <td>1 PLACE ±</td> <td>± 0.20</td> </tr> </table>		DIMENSIONS SHOWN (METRIC) INCH	UNLESS OTHERWISE SPECIFIED TOLERANCES ANGLES ± 3°	3 PLACE ±	± 0.10	2 PLACE ±	± 0.20	1 PLACE ±	± 0.20						
DIMENSIONS SHOWN (METRIC) INCH	UNLESS OTHERWISE SPECIFIED TOLERANCES ANGLES ± 3°														
3 PLACE ±	± 0.10														
2 PLACE ±	± 0.20														
1 PLACE ±	± 0.20														
<table border="1"> <tr> <td>DESIGN BY</td> <td>M. Previcchio</td> </tr> <tr> <td>CHECKED BY</td> <td></td> </tr> <tr> <td>APP'D BY</td> <td></td> </tr> <tr> <td>SCALE</td> <td>5 : 1</td> </tr> </table>		DESIGN BY	M. Previcchio	CHECKED BY		APP'D BY		SCALE	5 : 1						
DESIGN BY	M. Previcchio														
CHECKED BY															
APP'D BY															
SCALE	5 : 1														
<table border="1"> <tr> <td>REVISIONS</td> <td>REV.</td> </tr> <tr> <td> </td> <td> </td> </tr> </table>	REVISIONS	REV.			<table border="1"> <tr> <td>CAD FILE NAME</td> <td>MOLEX INC AND SHOULD NOT BE USED WITHOUT WRITTEN PERMISSION</td> </tr> <tr> <td>CAD FILE</td> <td>94513005</td> </tr> <tr> <td>TITLE</td> <td>CAPCORDA FEMMINA PER MASCHIO 6.3 x 0.8 -LIF- DK KONECT RECEPTACLE FOR 6.3 x 0.8 TABS -LIF-</td> </tr> <tr> <td>MOLEX INCORPORATED</td> <td></td> </tr> <tr> <td>SHEET NO./DATE</td> <td>1/1 18-11-91</td> </tr> </table>	CAD FILE NAME	MOLEX INC AND SHOULD NOT BE USED WITHOUT WRITTEN PERMISSION	CAD FILE	94513005	TITLE	CAPCORDA FEMMINA PER MASCHIO 6.3 x 0.8 -LIF- DK KONECT RECEPTACLE FOR 6.3 x 0.8 TABS -LIF-	MOLEX INCORPORATED		SHEET NO./DATE	1/1 18-11-91
REVISIONS	REV.														
CAD FILE NAME	MOLEX INC AND SHOULD NOT BE USED WITHOUT WRITTEN PERMISSION														
CAD FILE	94513005														
TITLE	CAPCORDA FEMMINA PER MASCHIO 6.3 x 0.8 -LIF- DK KONECT RECEPTACLE FOR 6.3 x 0.8 TABS -LIF-														
MOLEX INCORPORATED															
SHEET NO./DATE	1/1 18-11-91														
<table border="1"> <tr> <td>PART NO.</td> <td>SEE CHART</td> </tr> <tr> <td>DWG NO.</td> <td>SD 94513-0XXX</td> </tr> <tr> <td>SIZE</td> <td>M</td> </tr> <tr> <td>REV.</td> <td>B</td> </tr> </table>	PART NO.	SEE CHART	DWG NO.	SD 94513-0XXX	SIZE	M	REV.	B	<table border="1"> <tr> <td>SH.</td> <td>REV.</td> </tr> <tr> <td> </td> <td> </td> </tr> </table>	SH.	REV.				
PART NO.	SEE CHART														
DWG NO.	SD 94513-0XXX														
SIZE	M														
REV.	B														
SH.	REV.														