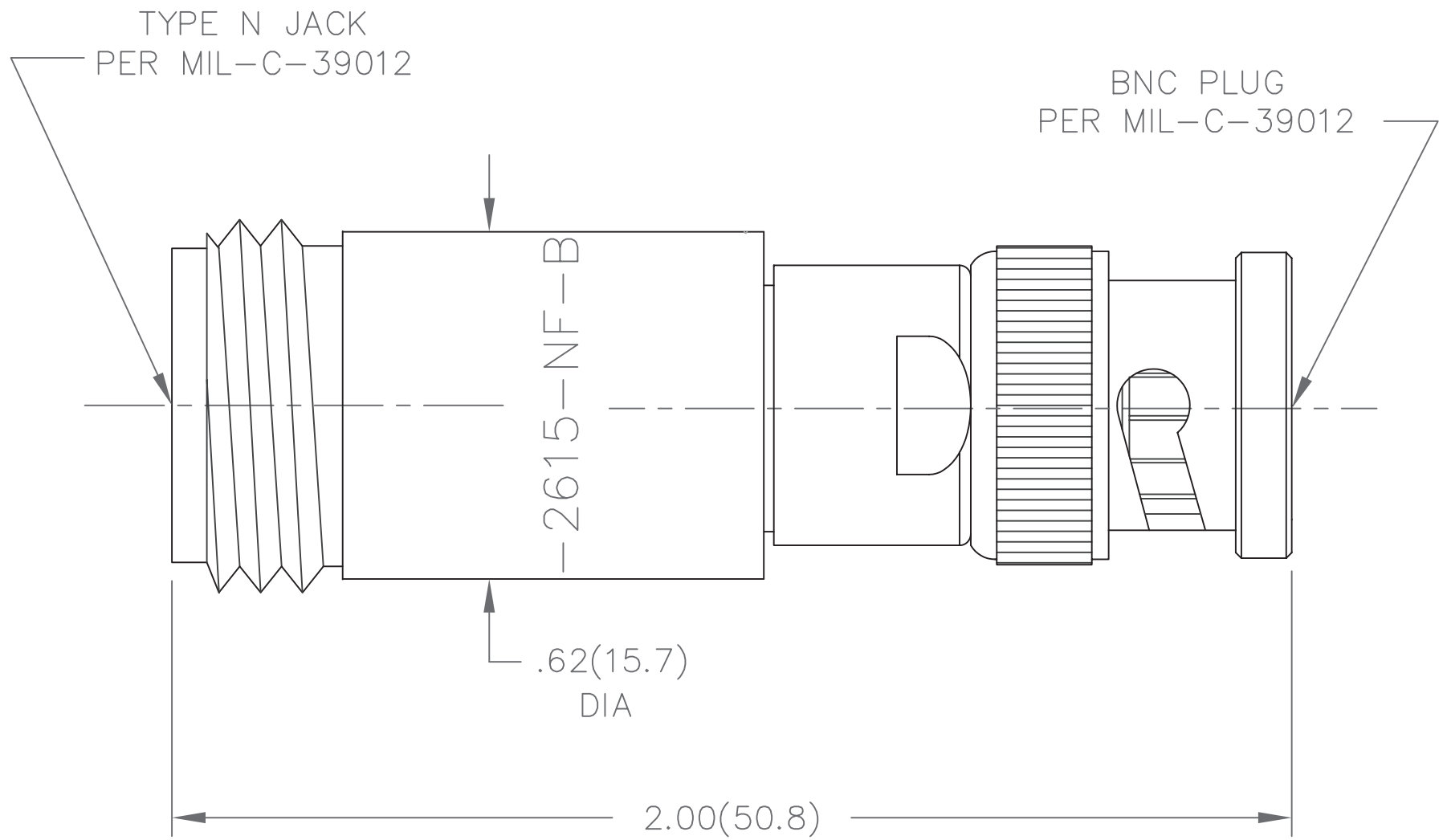



NOTES:

- 1.0 MATERIALS:
  - 1.1 HOUSING: STAINLESS STEEL PER ASTM-A582, TYPE 303.
  - 1.2 BNC HOUSING: HALF HARD BRASS PER ASTM B16.
  - 1.3 CENTER CONTACT: BERYLLIUM COPPER ROD ALLOY C172, PER ASTM-B196.
  - 1.4 DIELECTRIC: PTFE FLUOROCARBON PER ASTM-D1457.
- 2.0 PLATING:
  - 2.1 HOUSING PASSIVATED PER MIL-F-14072 AND QQ-P-35.
  - 2.2 CENTER CONTACT: GOLD PER MIL-G-45204 TYPE II, CLASS 2.
  - 2.3 BNC HOUSING: NICKEL PER QQ-N-290.
- 3.0 ELECTRICAL SPECIFICATIONS:
  - 3.1 FREQUENCY RANGE: DC to 4.0 GHz.
  - 3.2 VSWR (MAXIMUM): 1.25:1
  - 3.3 IMPEDANCE: 50 OHMS
- 4.0 MARKING: MARK UNIT AS SHOWN (REF: INK-06819-27-04)
- 5.0 DIMENSIONS IN PARENTHESIS ARE IN MILLIMETERS.



DWG. NO. WAS: 07028-01-00

REV.	DESCRIPTION	DATE
I	RELEASED	8/11/93
A	ECR 6545	8/1/89
B	ECR 7159	2/16/90
C	CAD/UPDATE SPEC	8/11/93

<p><b>NOTICE:</b> The information contained in this drawing is proprietary and must not be used without the permission of Cinch Connectivity Solutions.</p> <p>UNLESS OTHERWISE NOTED DIMENSIONS ARE IN INCHES AND TOLERANCES ARE:                      3 PLACE DECIMALS ±.005                      2 PLACE DECIMALS ±.02                      FRACTIONS ±1/64                      PARALLELITY: T.I.R. _____                      FLATNESS: T.I.R. _____                      CONCENTRICITY: T.I.R. _____                      ANGLES AND PERPENDICULARITY: ±1°</p>	<p>CAGE CODE <b>34078</b></p>	<p><b>MIDWEST MICROWAVE</b></p>	
			<p>TITLE ADAPTER-BNC TO TYPE N OUTLINE DRAWING</p>
<p>DRAWN/DATE M.HOLLMAN 8/11/93</p>	<p>ENG./DATE A.OSGA 8/25/93</p>	<p>DRAWING NUMBER ADT-2615-NF-BNM-02-01</p>	<p>REV. C</p>
<p>CHECKED/DATE A.BEATTY 8/23/93</p>	<p>APPROVED/DATE</p>	<p>SCALE: 2=1</p>	<p>SHEET 1 of 1</p>