

**NOTES:**

**1.0 MATERIALS:**

- 1.1 HOUSINGS & NUT: STAINLESS STEEL PER ASTM-A582, TYPE 303.
- 1.2 CENTER CONTACTS: BERYLLIUM COPPER ROD ALLOY C172, PER ASTM-B196.
- 1.3 DIELECTRIC: PTFE FLUOROCARBON PER ASTM-D1457.

**2.0 PLATING:**

- 2.1 HOUSINGS & NUT: PASSIVATED PER MIL-F-14072 AND QQ-P-35
- 2.2 CENTER CONTACTS: GOLD PER MIL-G-45204 TYPE II, CLASS 2.

**3.0 ELECTRICAL SPECIFICATIONS:**

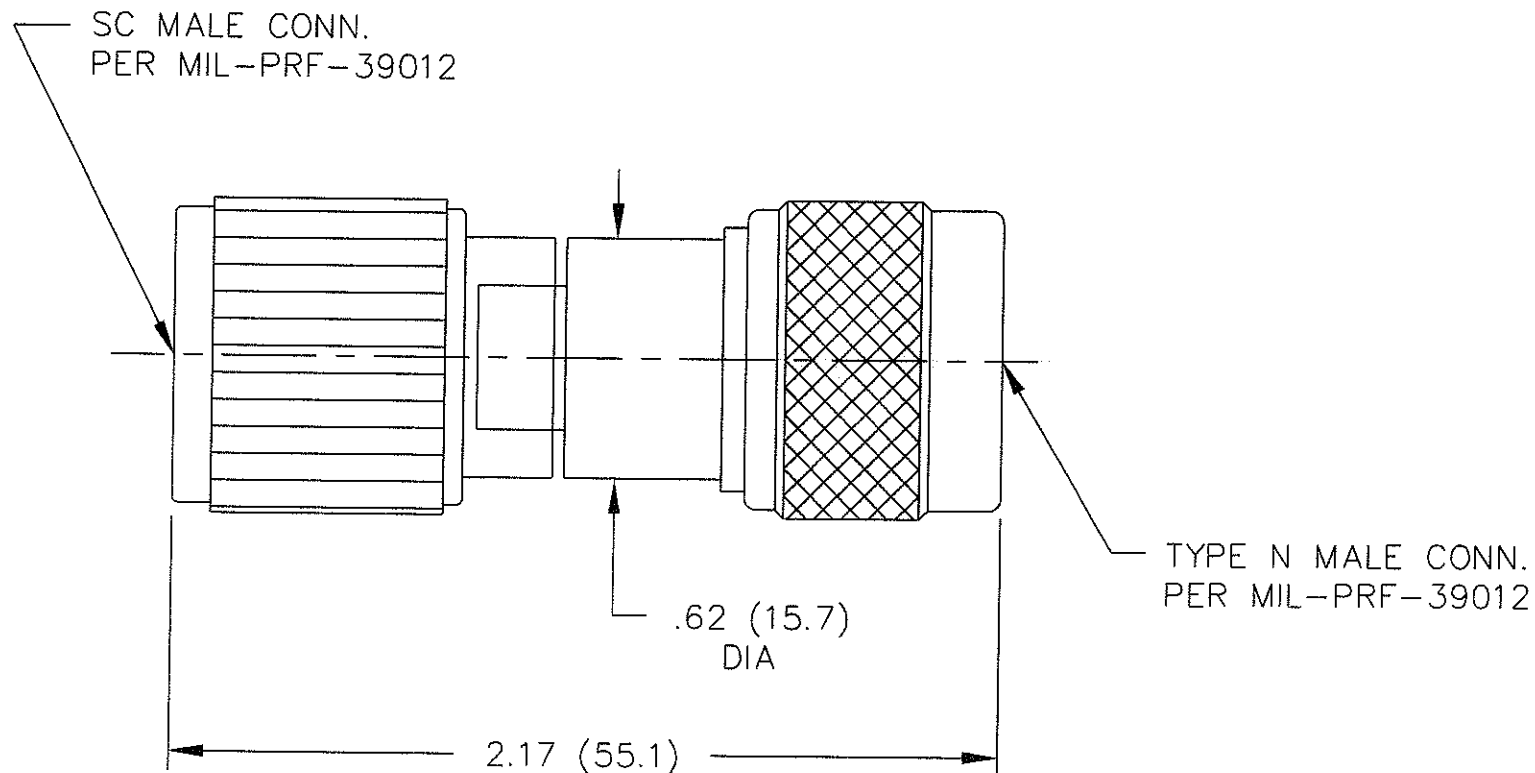
- 3.1 FREQUENCY RANGE: DC to 11.0 GHz
- 3.2 VSWR:
  - DC to 4.0 GHz 1.05:1
  - 4.0 to 8.0 GHz 1.10:1
  - 8.0 to 11.0 GHz 1.15:1
- 3.3 IMPEDANCE: 50 OHMS.

**4.0 DIMENSIONS IN PARENTHESIS ARE IN MILLIMETERS.**

**5.0 MECHANICAL:**

- 5.1 INTERFACE PER MIL-STD-348 IN ACCORDANCE WITH MIL-A-55339.
- 5.2 CENTER CONTACT CAPTURED IN ACCORDANCE WITH MIL-A-55339.

ALL OTHER MECHANICAL, ELECTRICAL, AND ENVIRONMENTAL CHARACTERISTICS ARE IN ACCORDANCE WITH MIL-A-55339.



MODEL NUMBER  
ADT-2618-NM-SCM-02  
REV.  
B1

DWG. NO. WAS: 06360-01-00

REV.	DESCRIPTION	DATE
-	RELEASED	4/20/93
A	ECR 6545	8/1/89
B	ECN 12578 / CAD	4/19/93
B1	ADDED TITLEBLOCK	3/10/05

UNLESS OTHERWISE NOTED DIMENSIONS ARE IN INCHES AND TOLERANCES ARE:  3 PLACE DECIMALS ±.005 2 PLACE DECIMALS ±.02 FRACTIONS ±1/64 PARALLELITY: T.I.R. _____ FLATNESS: T.I.R. _____ CONCENTRICITY: T.I.R. _____ ANGLES AND PERPENDICULARITY: ±1'	FSCM NO. <b>34078</b>	<b>MIDWEST MICROWAVE</b>		
	NOTICE: The information contained in this drawing is proprietary and must not be used without the permission of Midwest Microwave		TITLE  ADAPTER SC PLUG to TYPE N PLUG	
	DRAWN/DATE M.HOLLMAN 4/19/93	ENG./DATE A.OSGA 4/20/93	DRAWING NUMBER ADT-2618-NM-SCM-02	
	CHECKED/DATE A.BEATTY 4/20/93	APPROVED/DATE	SCALE: 3=1	SHEET 1 of 1