

MATERIALS AND FINISHES

PART NO. 73415-4760/73415-4761  
73415-4762/73415-4763  
73415-4765

BODY  
BRASS  
PLATED:50u" MIN COPPER UNDERCOAT.  
100~200u" NICKEL UNDERCOAT.  
2u" MIN GOLD PLATING.

CENTER CONTACT  
BERYLLIUM COPPER  
PLATED:10u" MIN GOLD PLATING

INSULATOR  
TEFLON

WITHSTAND 48HRS SALT SPRAY TEST

Note:

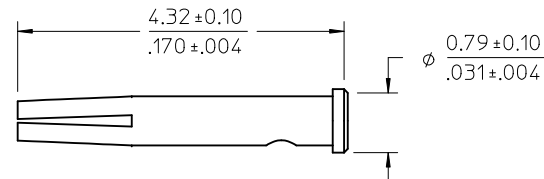
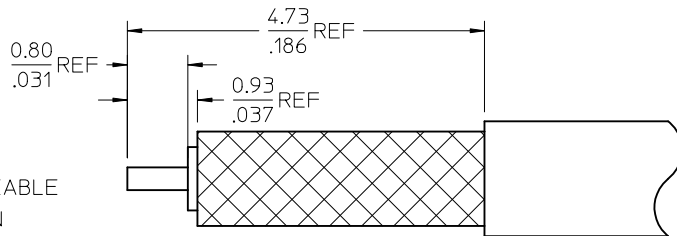
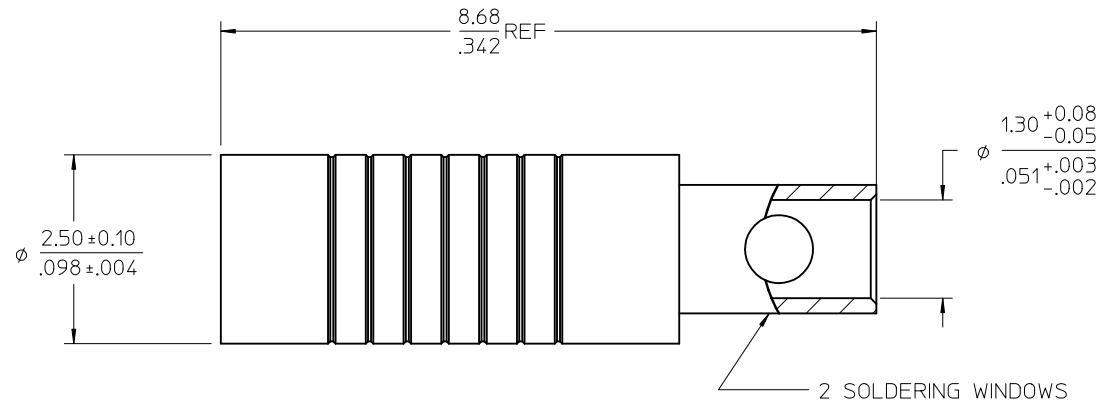
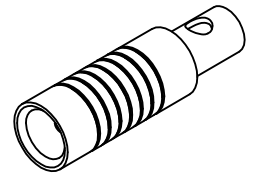
1. Part No.73415-4761 WITHOUT CONTACT PART
2. 73415-4762 WITH CUSTOMER REQUEST PACKAGE
3. Part No.73415-4763 USE PART NO.73415-4760 WITH 500PCS BY BAG

PART NO. 73415-4764

BODY  
BERYLLIUM COPPER  
PLATED TRI-METAL

CENTER CONTACT  
BERYLLIUM COPPER  
PLATED GOLD

INSULATOR  
TEFLON



PART NO.	DESCRIPTION	PACKAGING
73415-4767	NON-MAGNETIC	1 PIECE 73415-4764 PER BAG
73415-4766	GENERAL TYPE	1 PIECE 73415-4760 PER BAG
73415-4765	GENERAL TYPE	SPECIFIC LABEL ON OUTER BOX
73415-4764	NON-MAGNETIC	500pcs BY ONE BAG
73415-4763	GENERAL TYPE	500pcs BY ONE BAG
73415-4762	GENERAL TYPE	SEE NOTE 2
73415-4761	GENERAL TYPE	SEE NOTE 1
73415-4760	GENERAL TYPE	1000pcs BY ONE BAG

PS-89675-0320	PRODUCT SPECIFICATION
SPECIFICATION	DESCRIPTION

REV	DESCRIPTION
C6	CHG: PS WAS DELETED AS. EC NO: URF2011-0430 DRWN:JLEE02 2011/01/17 CHKD:SSS 2011/01/17 APPR:JWIENER 2011/01/17

QUALITY SYMBOLS
▽=0
▽=0

GENERAL TOLERANCES (UNLESS SPECIFIED)
4 PLACES ± --- ± ---
3 PLACES ± --- ± ---
2 PLACES ± --- ± ---
1 PLACE ± --- ± ---
ANGULAR ± 2 °
DRAFT WHERE APPLICABLE MUST REMAIN WITHIN DIMENSIONS

DIMENSION STYLE	
MM/IN	
DRAWN BY	DATE
JLEE	2007/07/23
CHECKED BY	DATE
TFLAHERTY	2007/07/23
APPROVED BY	DATE
JWIENER	2007/07/23

SCALE	DESIGN UNITS	THIRD ANGLE PROJECTION
	METRIC	
TITLE		
SSMCX JACK, 50 OHM CABLE TYPE (.047, 1.3MM) SSMCX-JC		
MOLEX MOLEX INCORPORATED		
MATERIAL NO.	DOCUMENT NO.	SHEET NO.
SEE TABLE	SD-73415-476	1 OF 1
THIS DRAWING CONTAINS INFORMATION THAT IS PROPRIETARY TO MOLEX INCORPORATED AND SHOULD NOT BE USED WITHOUT WRITTEN PERMISSION		