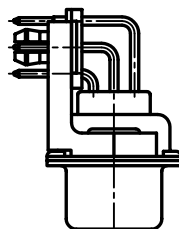
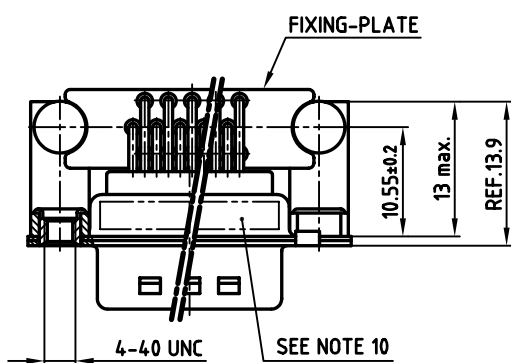
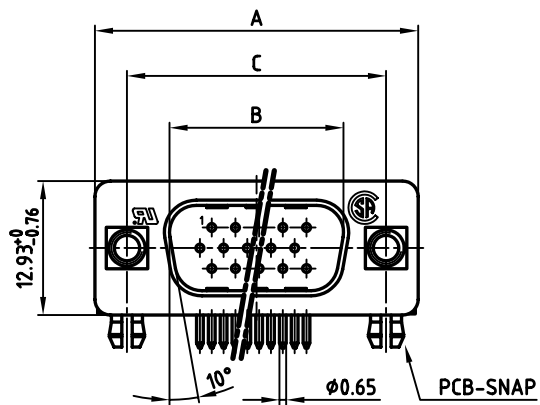
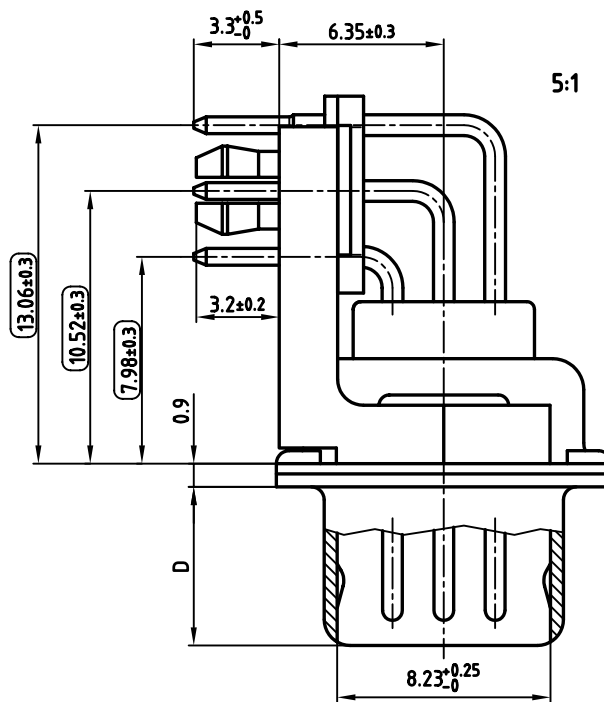


used for: D-SUB HD

POS.	A ^{-0.76}	B ^{+0.25}	C	D ^{-0.3}	Part NO.
15	31.19	16.79	25.00 ^{+0.12} / _{-0.13}	6.12	163A17769X
26	39.52	25.12	33.30 ^{+0.15} / _{-0.1}	6.12	163A17779X
44	53.42	38.84	47.04 ^{+0.13}	5.99	163A17789X
62	69.70	55.30	63.50 ^{+0.13}	5.99	163A17799X



NOTES:

- METALSHELLS: STEEL; min. 320µ" TIN
- INSULATORS: PBT GF UL 94 V-0, BLACK
- CONTACTS: COPPER ALLOY
PLATING: 8µ" HARD GOLD OVER min. 50µ" NICKEL
- METAL BRACKET: DIE-CASTING; min. 320µ" TIN over 80µ" NICKEL
- THREADED INSERT: COPPER ALLOY; min. 200µ" TIN over 80µ" NICKEL
- PCB-SNAP: COPPER ALLOY; min. 200µ" TIN over 80µ" NICKEL
PCB-HOLE: $\phi 3.1 \pm 0.1$; PCB THICKNESS 1.6mm
- FIXING-PLATE: PBT GF UL 94 V-0, BLACK
- P.C.B. HOLE DRILLINGS ON SHEET 2
- MAXIMUM TORQUE VALUE FOR THREAD: 6" LBS
- CONNECTOR IS PART MARKED: PART-NO. CONEC ABC
- = CHECK DIMENSION

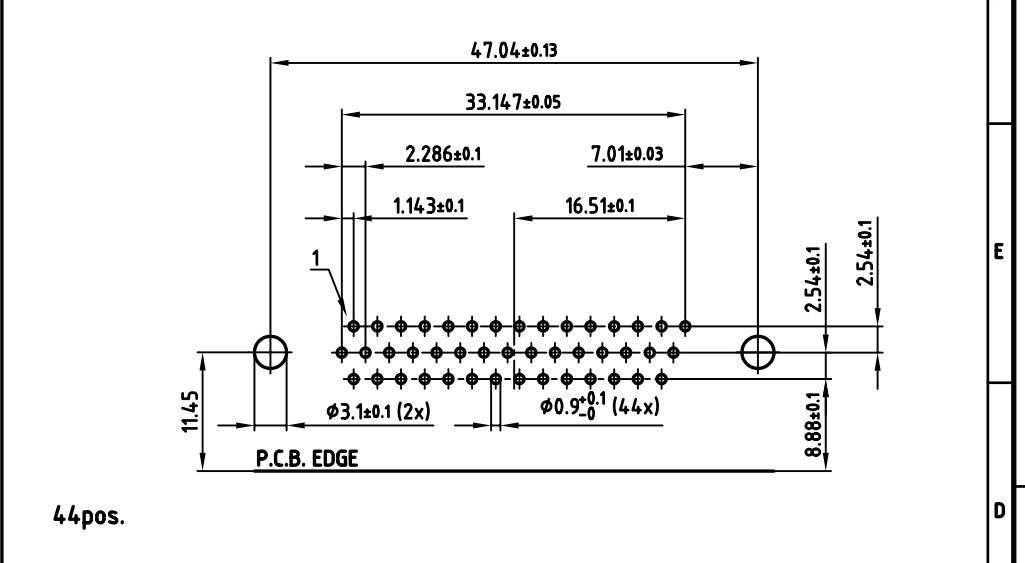
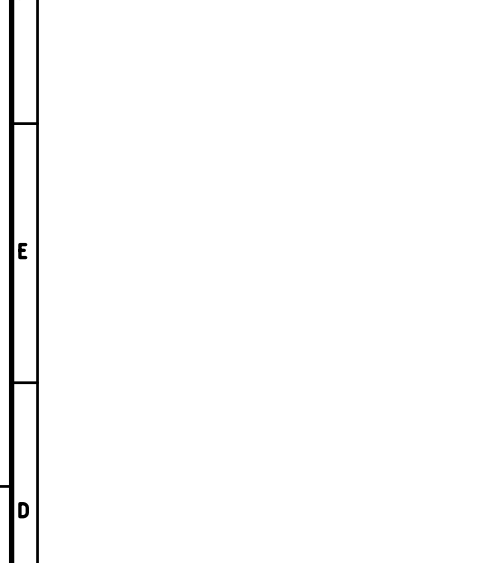
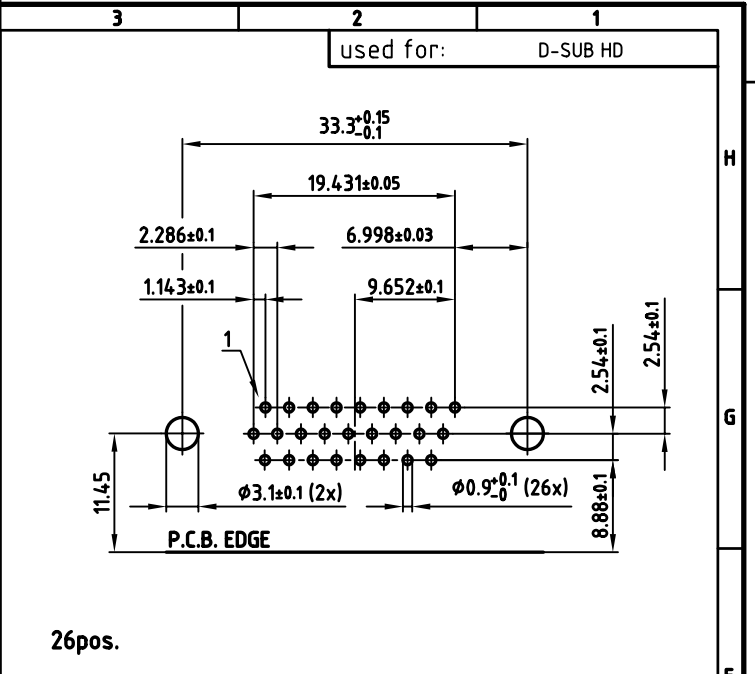
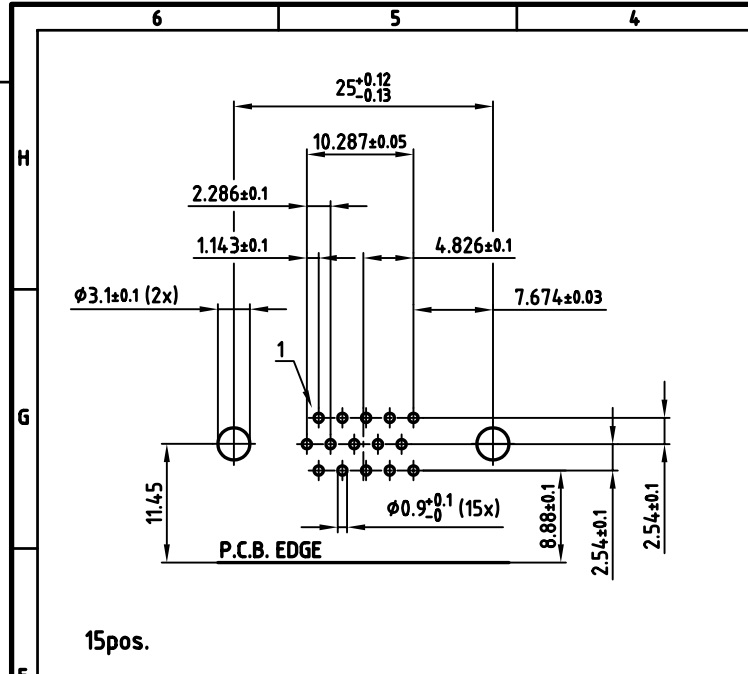
Directive 2002/95/EC
RoHS
Compliant

APPROVAL * FREIGABE * DEBLOCAGE * AUTORIZACION * APPROVAL	
CUSTOMER APPROVAL DATE:	
NAME:	TITLE:
COMPANY NAME:	
APPROVAL * FREIGABE * DEBLOCAGE * AUTORIZACION * APPROVAL	

THIS DRAWING MAY NOT BE COPIED OR REPRODUCED IN ANY WAY, AND MAY NOT BE PASSED ON TO A THIRD PARTY, WITHOUT WRITTEN PERMISSION.
OWNERSHIP AND COPYRIGHT OF CONEC GmbH
DO NOT ALTER CAD DRAWING BY HAND

	tolerance	dim. in mm	scale: 2:1 (5:1)	material: SEE NOTES
	2006	date	title: D-SUB HD MALE 90° 15-62pos. 0.350inch threaded insert, metal bracket, fixing-plate, clip	
	drawn	27.01. Lehmenkühler		
	appd.	27.01. Mickenbecker		
	norm	DIN 41652		
	d-old		dwg no: AutoCAD 2004	DIN-A
	a	Origin	16K1A1722	
rev.	description	date	name	part no: SEE TABLE
				3 sh:1/2





APPROVAL # FREIGABE # DEBLOCAGE # AUTORIZACION # APPROVAL

CUSTOMER APPROVAL DATE:

NAME: TITLE:

COMPANY NAME:

APPROVAL # FREIGABE # DEBLOCAGE # AUTORIZACION # APPROVAL

THIS DRAWING MAY NOT BE COPIED OR REPRODUCED IN ANY WAY, AND MAY NOT BE PASSED ON TO A THIRD PARTY, WITHOUT WRITTEN PERMISSION. OWNERSHIP AND COPYRIGHT OF CONEC GmbH DO NOT ALTER CAD DRAWING BY HAND

rev.	description	date	name
a	Origin		

tolerance Ⓢ dim. in mm

scale: 2:1

material: SEE SHEET 1

title: P.C.B. HOLE DRILLINGS
D-SUB HD MALE 90° 15-62pos. 0.350inch threaded insert, metal bracket, fixing-plate, clip

dwg no: AutoCAD 2004 DIN-A 3 sh:2/2

part no: SEE SHEET 1

CONEC®