

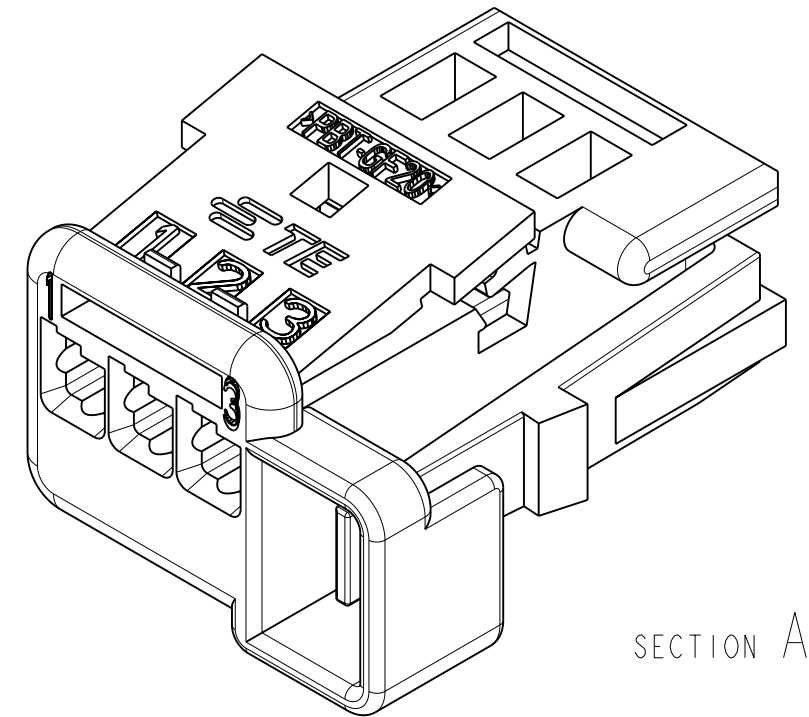
THIS DRAWING IS UNPUBLISHED.
 DIFFUSION RESTREINTE
 © COPYRIGHT 2006 BY -
 2006
 RELEASED FOR PUBLICATION
 LIBRE A LA DIFFUSION
 ALL RIGHTS RESERVED.
 TOUS DROITS RESERVES

LOC		DIST		REVISIONS			
P	LTR	DESCRIPTION MODIFICATIONS	DATE	DWN DESS.	APVD APP.		
	BI	REVISED PER ECO-11-005150	28MAR2011	RK	HMR		

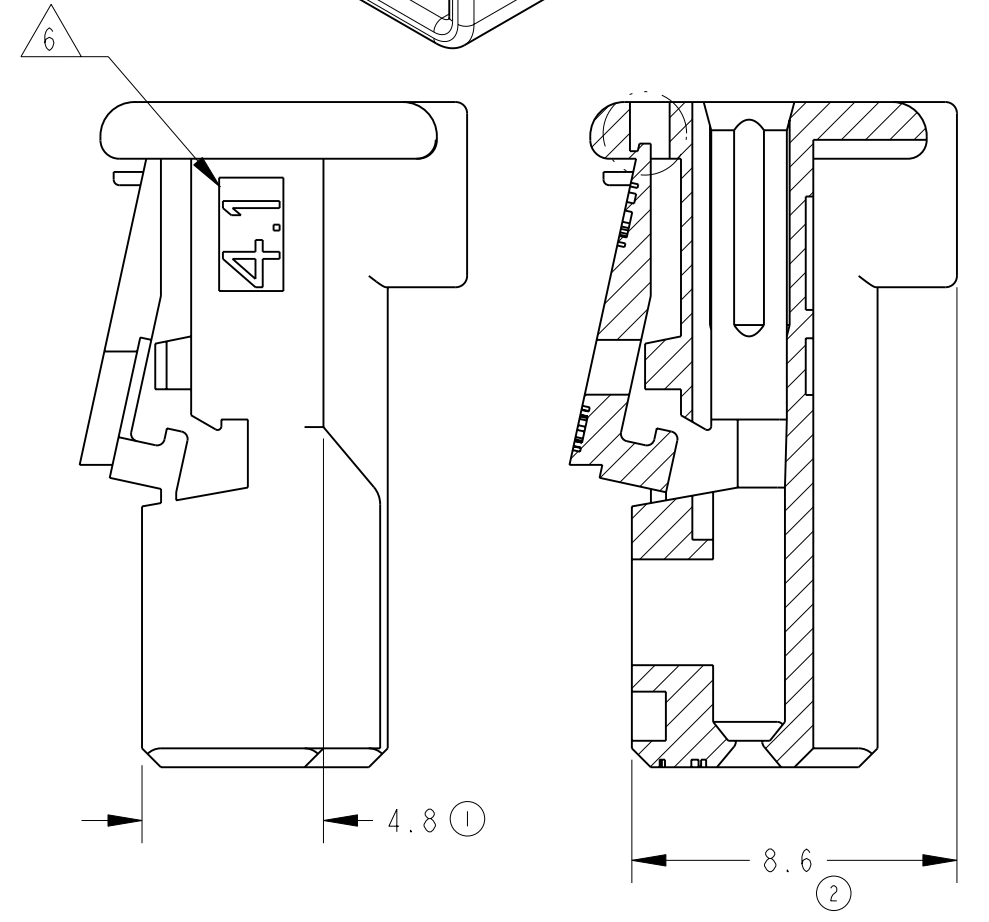
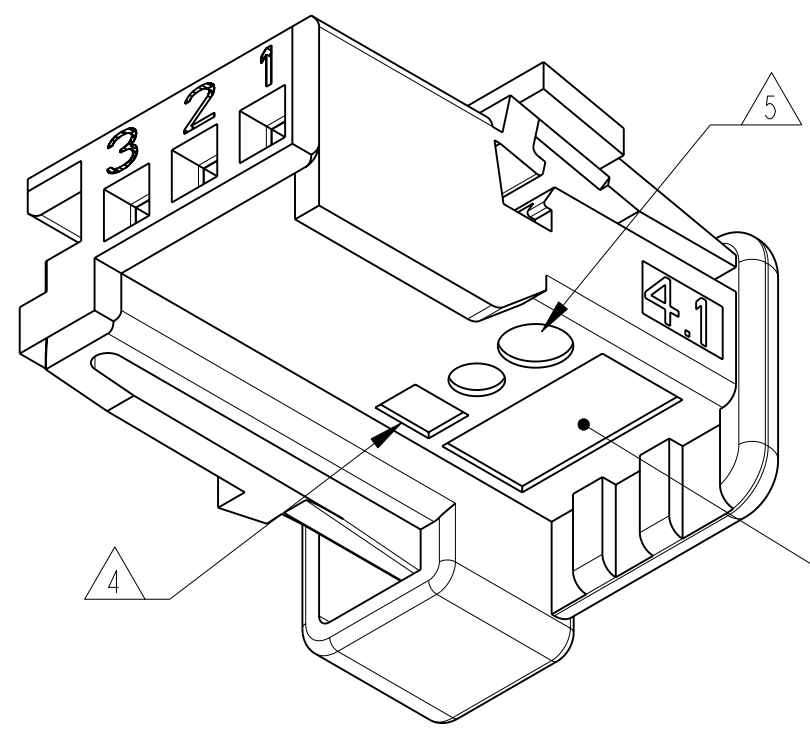
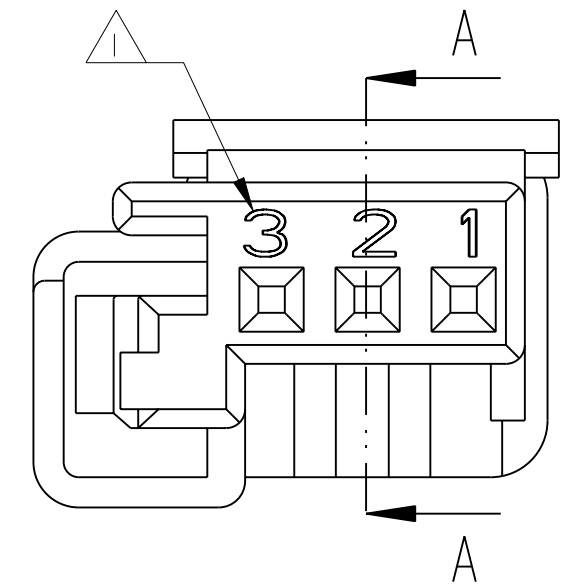
KEYING TABLE (table de detrompage)

COLOR couleur		X1	X2	PART NO
BLACK noir		6.5 (10)	0 (11)	953697-1
WHITE blanc		5.2 (12)	1.3 (13)	953697-2
BLUE bleu		4 (14)	2.5 (15)	953697-3
YELLOW jaune		2.7 (16)	3.8 (17)	953697-4
GREY gris		1.5 (18)	5 (19)	953697-5
BROWN marron		0 (20)	6.3 (21)	953697-6

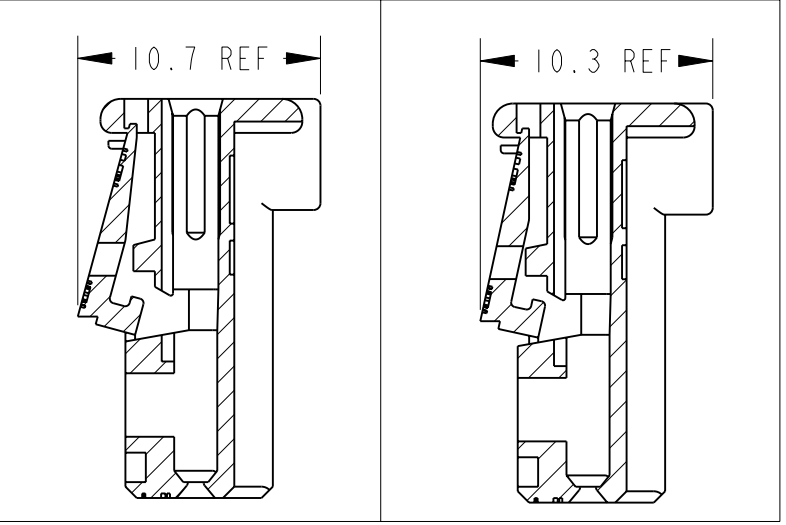
- 1 CAVITY MARKING
reperes alveoles
- 2 AMP STAMP OR TE CONNECTIVITY STAMP (following mold)-
logo AMP ou logo TE CONNECTIVITY (suivant moule)
- 3 MATERIAL IDENTIFICATION
marquage matiere
- 4 MOLD REVISION NUMBER (optional)
indice de revision moule (optionnel)
- 5 MOLD IDENTIFICATION
identification moule
- 6 MOLD CAVITY IDENTIFICATION NUMBER
numero d'empreinte moule
- 7 EXCHANGEABLE MANUFACTURING DATE
date de fabrication exchangeable
- 8 CUSTOMER STAMP PSA (OPTIONAL)
logo client PSA (optionel)



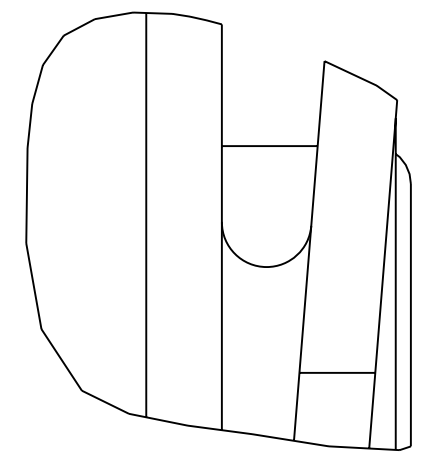
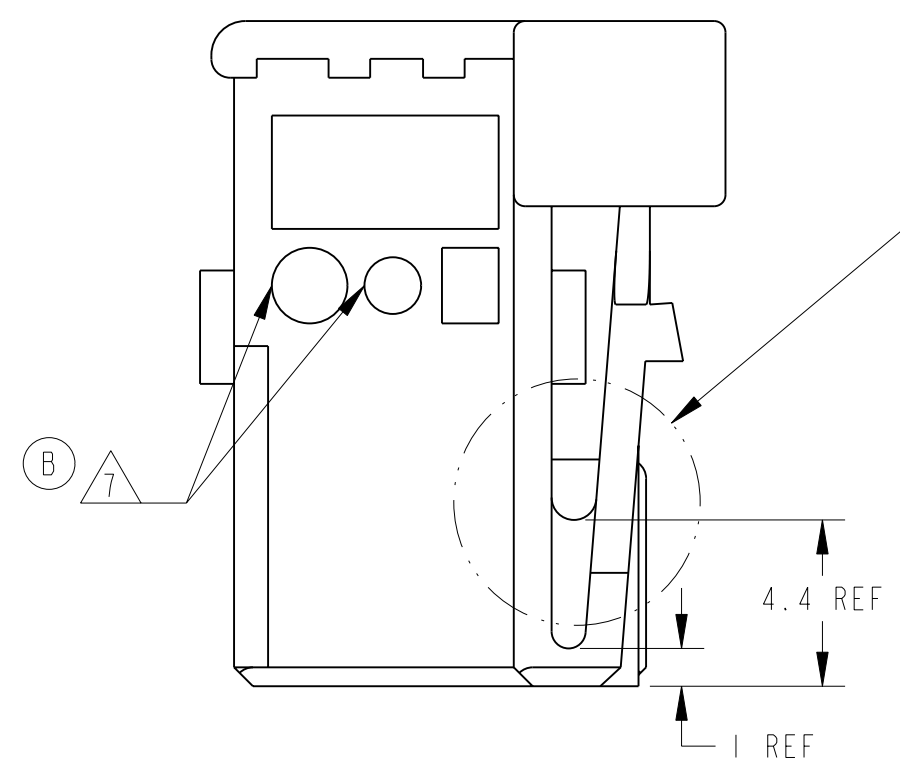
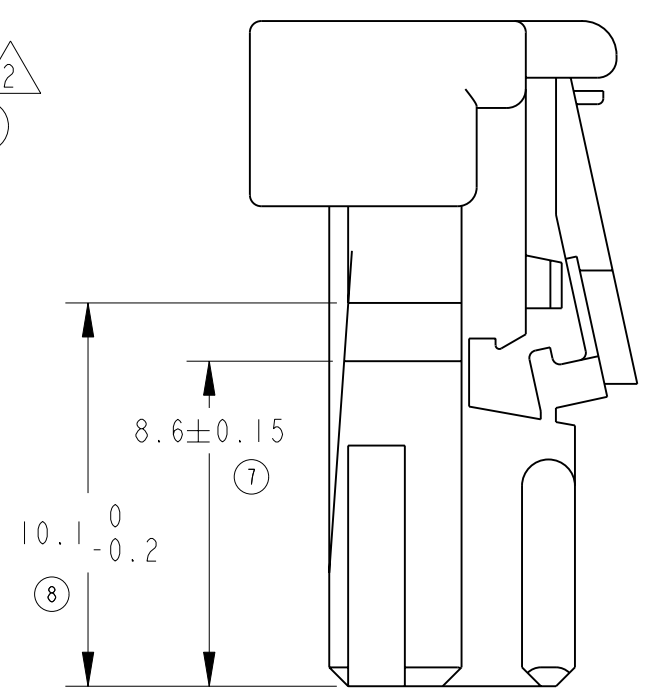
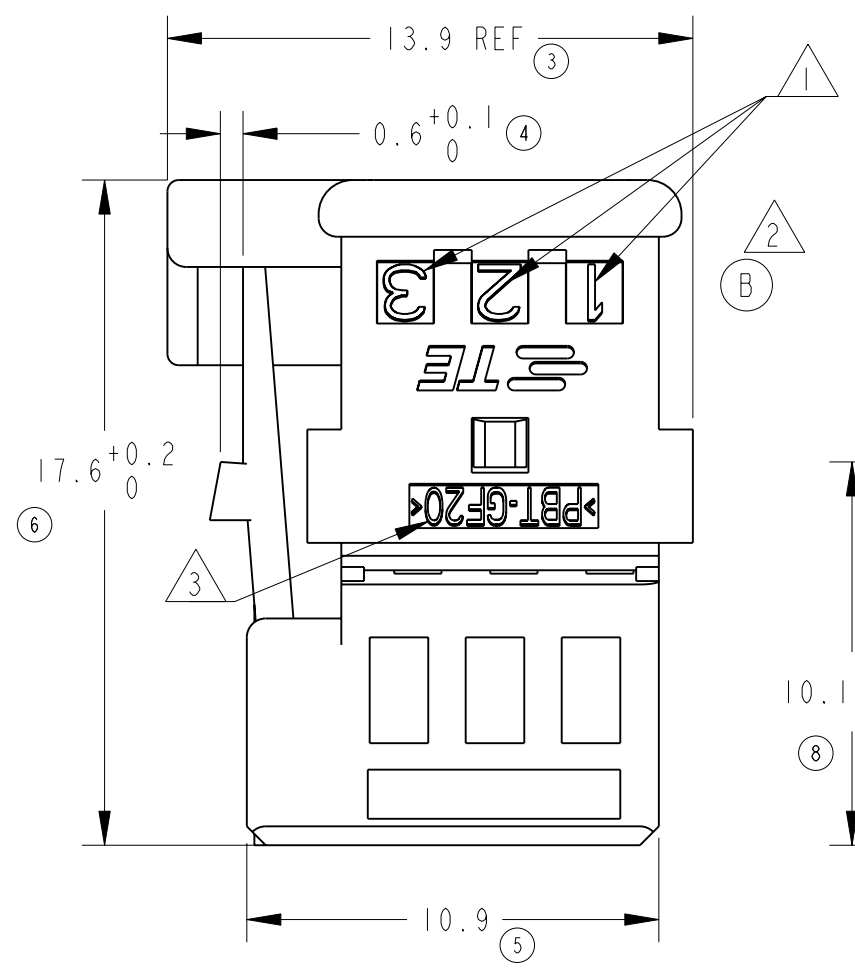
SECTION A - A



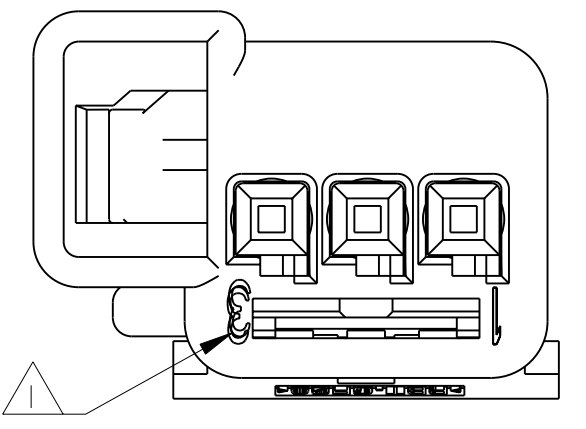
PERMISSIBLE FORM FOR THE LOCKING DEVICE
 formes admissibles pour le verrou



SECTION A - A
 SCALE 3:1



DETAIL X
 SCALE 10:1



THIS DRAWING IS A CONTROLLED DOCUMENT.		DWN/DESSINE 22MAR2006 M. POLIFONTE		TE Connectivity	
DIMENSIONS: mm		CHK/VERIFIE 22MAR2006 X. ROUILLARD			
TOLERANCES UNLESS OTHERWISE SPECIFIED: TOLERANCES NON SPECIFIEES (SUIV. NB DE DECIMALES)		APVD/APROUVE 22MAR2006 J. DAHER		NAME TITRE	
0 P.LC/DEC: ± 1 P.LC/DEC: ± 2 P.LC/DEC: ± 3 P.LC/DEC: ± 4 P.LC/DEC: ±		PRODUCT SPEC. PRODUIT 108-15226 (B)		3 POS. MQS RECEPTACLE HOUSING POSITIVE MATE	
ANGLES ±5°		APPLICATION SPEC. APPLICATION 411-15626 (B)		porte-clips 3 voies MQS avaloir	
FINISH/FINITION		WEIGHT MASSE APPROX. 1g		SIZE FORMAT	
(B) PBT-GF20		CUSTOMER DRAWING /PLAN CLIENT		CAGE CODE 00779	
		UNIQUEMENT POUR REFERENCE		DRAWING NO No PLAN	
		SCALE Echelle 5:1		RESTRICTED TO RESERVE A	
		SHEET FEUILLE		OF DE	
		REV BI			