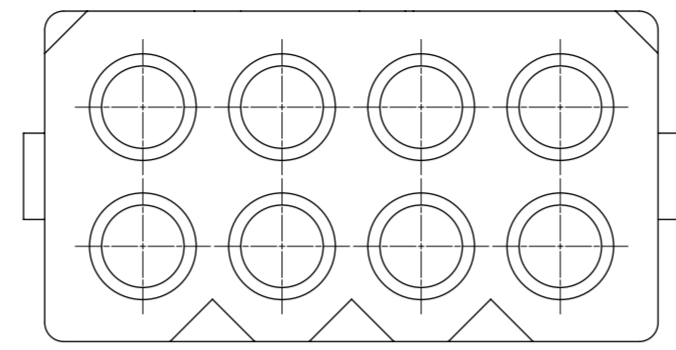
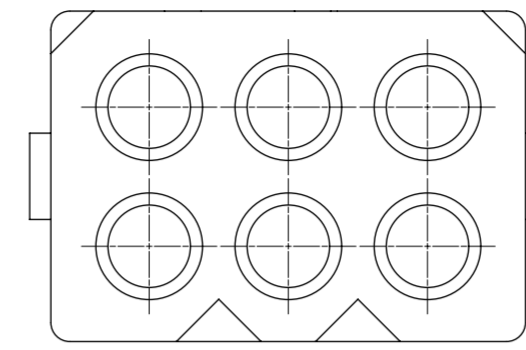


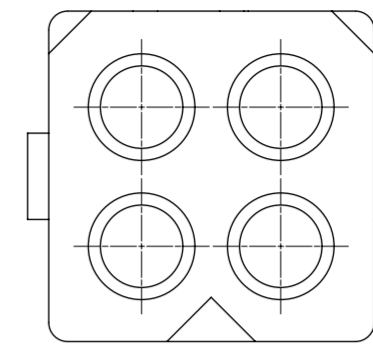
1501792100  
10 CKT



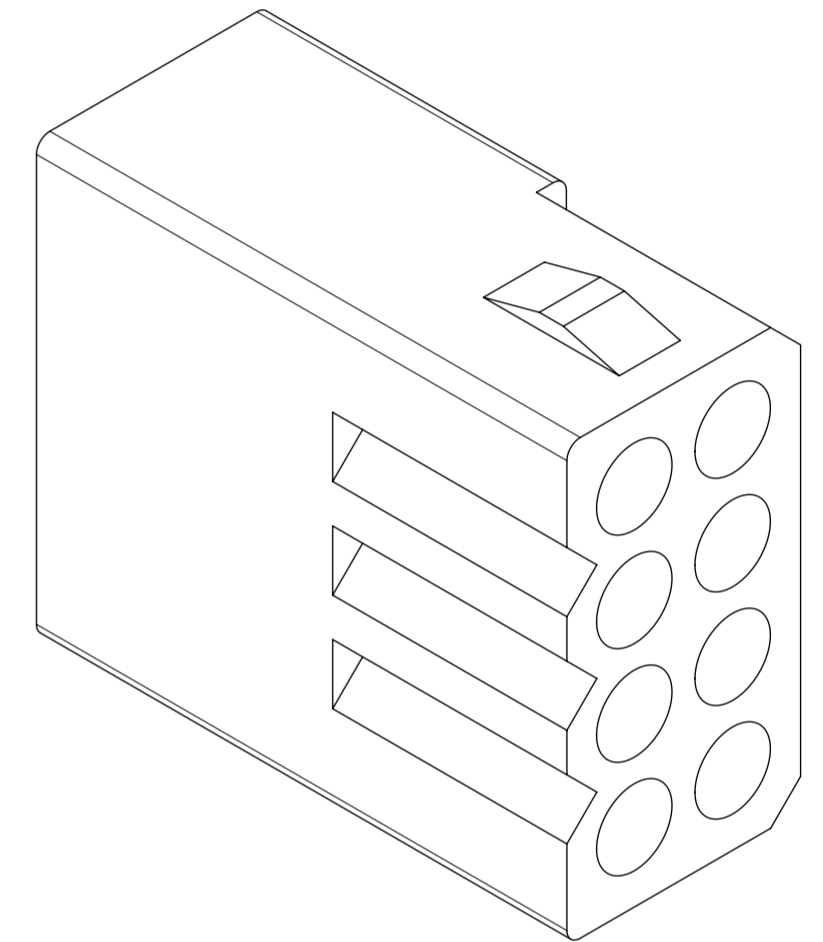
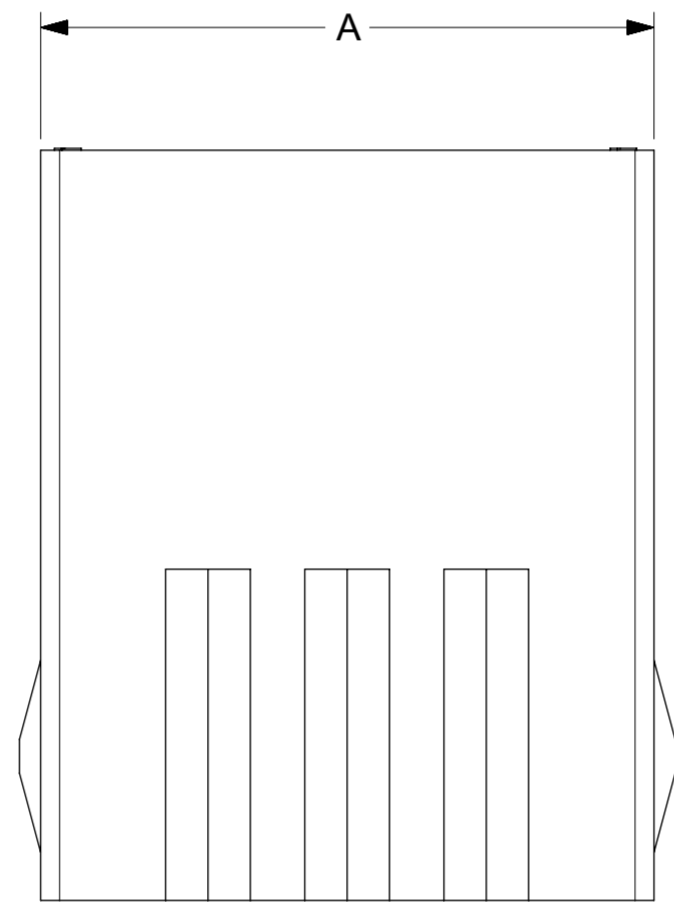
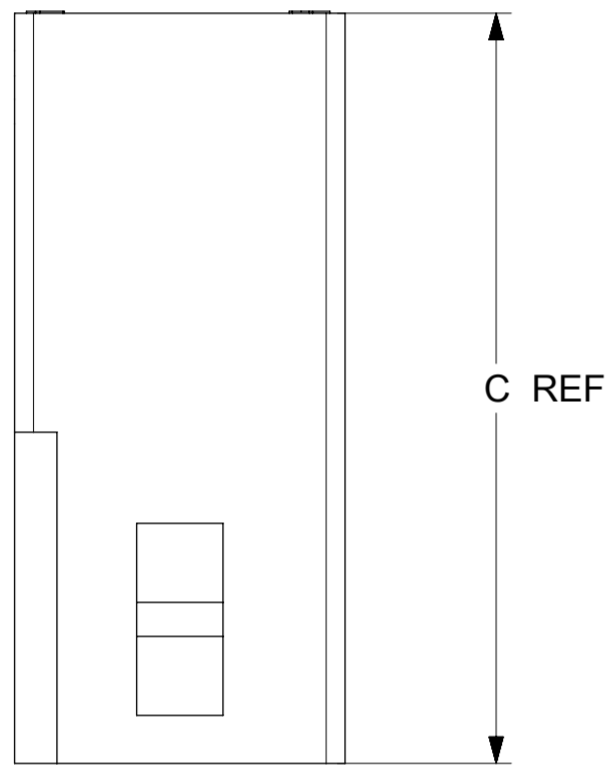
1501792080  
8 CKT



1501792060  
6 CKT



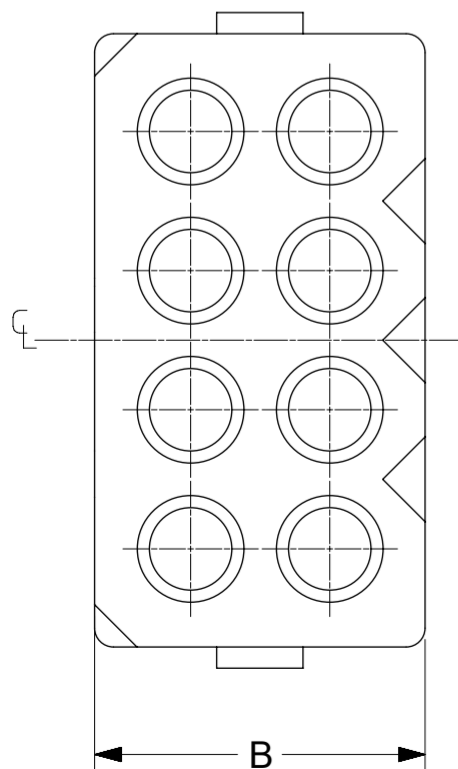
1501792040  
4 CKT



RECEPTACLE HOUSING  
ISOMETRIC VIEW

TABLE A

SL No.	PART NUMBER	DESCRIPTION	DIM A	DIM B	DIM C
1	15017902040	4 CKT DUAL ROW	8.6	8.6	19.6
2	15017902060	6 CKT DUAL ROW	12.5 <sup>+0.30</sup> <sub>-0.25</sub>	8.8	19.8
3	15017902080	8 CKT DUAL ROW	16.2	8.7	19.8
4	15017902100	10 CKT DUAL ROW	19.9 <sup>+0.25</sup> <sub>-0.35</sub>	8.7	19.8



NOTES:

- 1) MATERIAL: NYLON TYPE 6/6,94V-2 COLOR: NATURAL
- 2) FINISH: NONE
- 3) PRODUCT SPECIFICATION: 1501760001-PS.
- 4) PACKAGING SPECS: PK-150176-001
- 5) THIS PART CONFORMS TO CLASS B REQUIREMENTS OF COSMETIC SPEC PS-45499-002.
- 6) THIS PART CONFORMS TO MOISTURIZING SPECIFICATIONS OF NYLON PARTS REFER AS-45499-001
- 7) THIS PART ACCEPT TERMINAL SERIES 150181
- 8) THIS PART MATES WITH PLUG HOUSING SERIES 150177.

THIS DRAWING CONTAINS INFORMATION THAT IS PROPRIETARY TO MOLEX ELECTRONIC TECHNOLOGIES, LLC AND SHOULD NOT BE USED WITHOUT WRITTEN PERMISSION

RE-MASTERED IN ELECTR EC NO: 107456 DRWN: SNAGARAVENKA CHKD: APPR: KPRASAD	2016/10/03	2016/10/26	GENERAL TOLERANCES (UNLESS SPECIFIED)	DIMENSION UNITS	SCALE		
			ANGULAR TOL ± 0.5 °	MM	5:1		
			4 PLACES ±	DRWN BY	DATE		
			3 PLACES ±	GES	2014/10/09		
		2 PLACES ± 0.25	CHK'D BY	DATE	ECONOLATCH DUAL ROW RECEPTACLE HOUSING		
		1 PLACE ± 0.38	APPR BY	DATE			
		0 PLACES ±	PRODUCT CUSTOMER DRAWING				
		DRAFT WHERE APPLICABLE MUST REMAIN WITHIN DIMENSIONS	DRAWING SIZE	THIRD ANGLE PROJECTION	SERIES	MATERIAL NUMBER	CUSTOMER
			A2		150179	SEE TABLE	GENERAL MARKET
					DOCUMENT NUMBER	DOC TYPE	DOC PART SHEET NUMBER
					SD-150179-001	PSD	000 1 OF 1