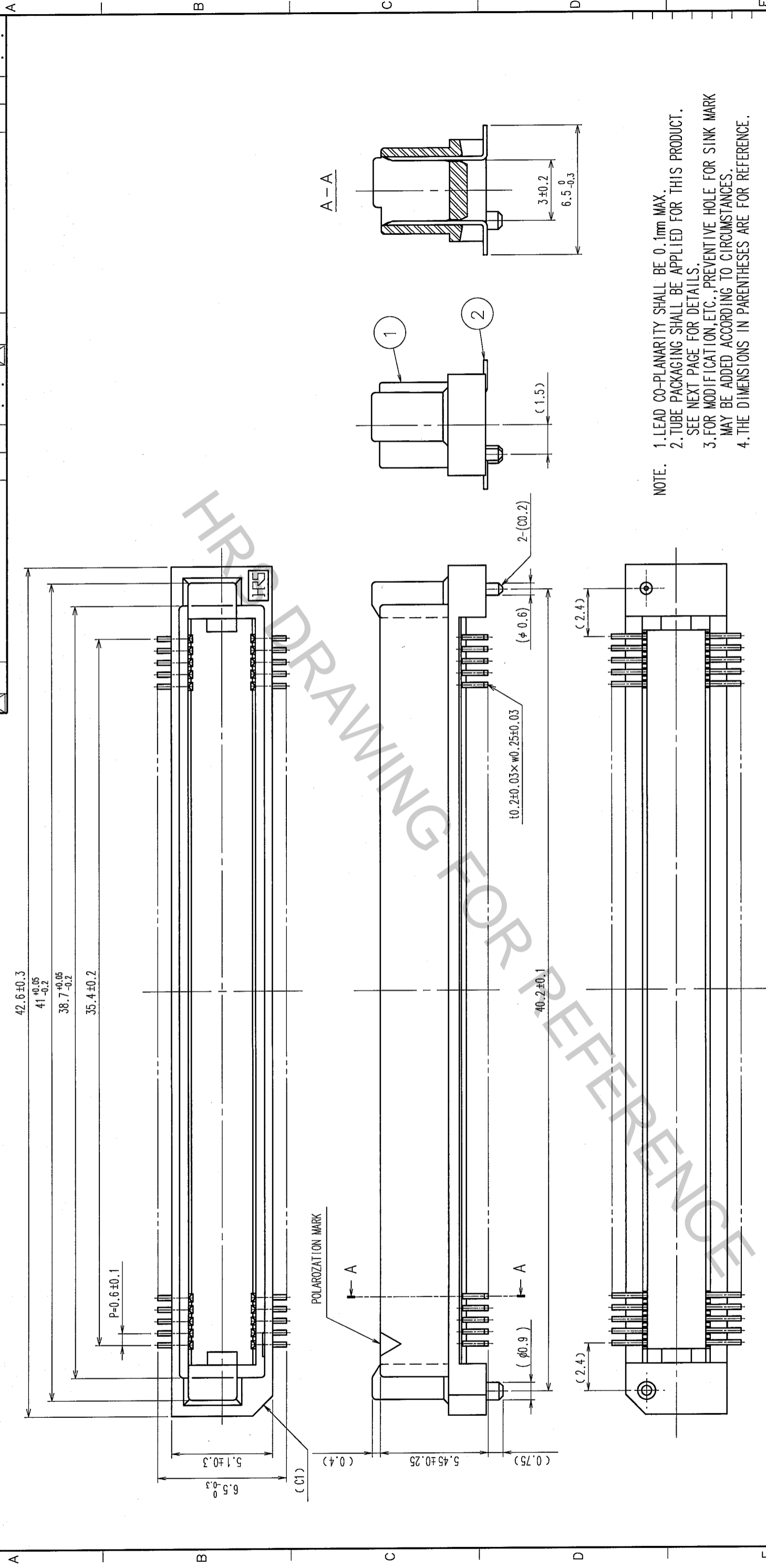
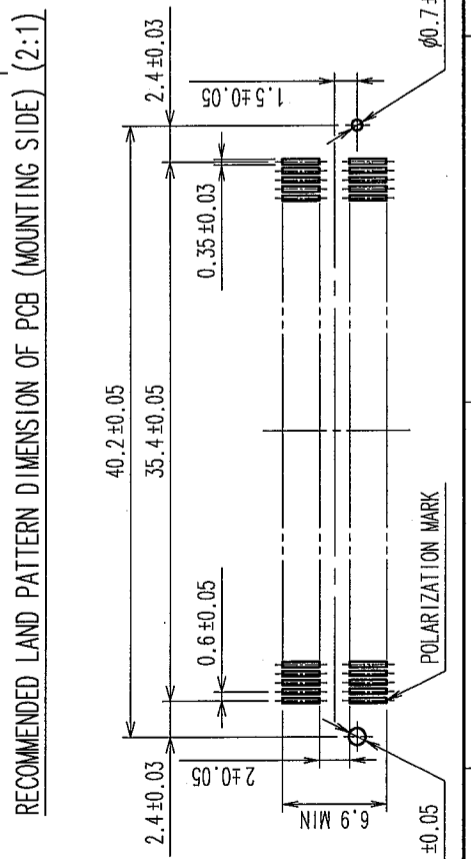


COUNT	DESCRIPTION OF REVISIONS	BY	CHKD	DATE	COUNT	DESCRIPTION OF REVISIONS	BY	CHKD	DATE
△					△				
△					△				
△					△				



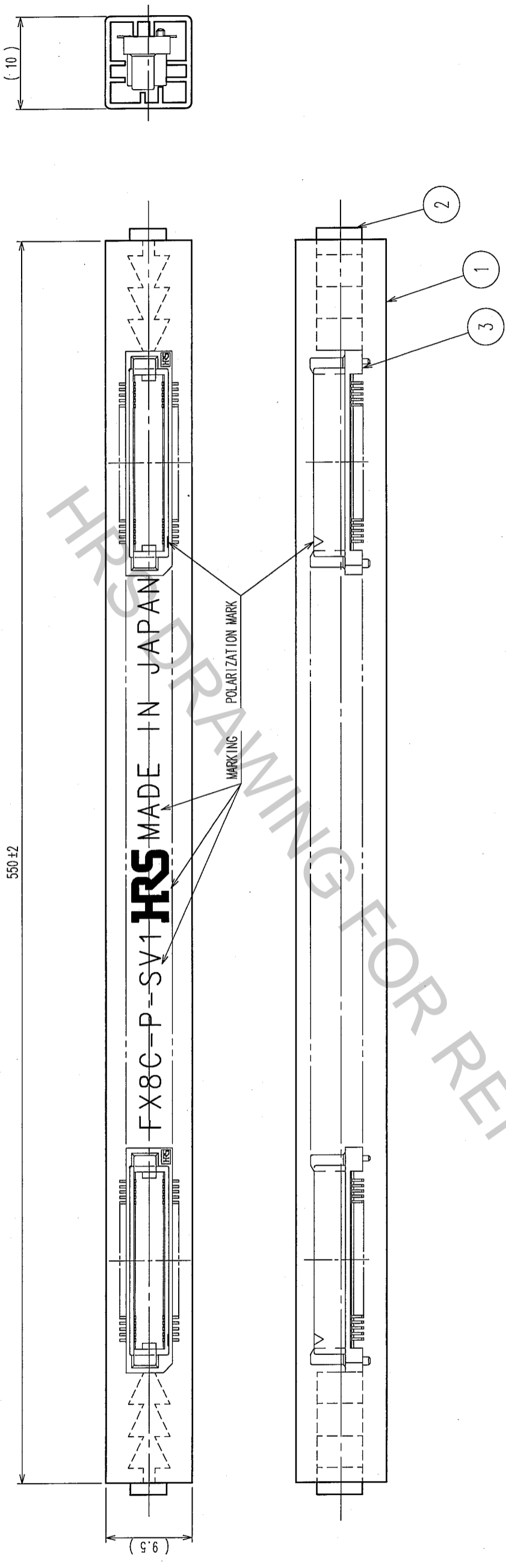
NOTE.  
 1. LEAD CO-PLANARITY SHALL BE 0.1mm MAX.  
 2. TUBE PACKAGING SHALL BE APPLIED FOR THIS PRODUCT.  
 SEE NEXT PAGE FOR DETAILS.  
 3. FOR MODIFICATION, ETC., PREVENTIVE HOLE FOR SINK MARK MAY BE ADDED ACCORDING TO CIRCUMSTANCES.  
 4. THE DIMENSIONS IN PARENTHESES ARE FOR REFERENCE.

1	PPS	LIGHT BROWN (UL94V-0)	2	PHOSPHOR BRONZE	CONTACT AREA: GOLD 0.1μm min. LEAD AREA: TIN-PLATING 1μm min. UNDER PLATING: NICKEL 1μm min.
NO. MATERIAL FINISH, REMARKS		NO. MATERIAL		FINISH, REMARKS	
CODE NO. (COLD) CL		DRAWN K. NAKAMURA		DESIGNED K. NAKAMURA	
		05.12.16		05.12.16	
DRAWING NO. EDC3-150834-21		PART NO. FX8C-120P-SV1(91)		APPROVED H. Okawa	
SCALE 5:1		UNITS mm		CHECKED '05.12.16	
HRS HIROSE ELECTRIC CO., LTD.		CL578-0526-0-91		RELEASED	
				1/2	



TO	
PCK	

COUNT	DESCRIPTION OF REVISIONS	BY	CHKD	DATE	COUNT	DESCRIPTION OF REVISIONS	BY	CHKD	DATE
△					△				
△					△				
△					△				



NOTE 1. 1 TUBE : 12 CONNECTORS.  
 2. THE DIMENSIONS IN PARENTHESES ARE FOR REFERENCE.

2		3	
NO.	MATERIAL	FINISH, REMARKS	(CONNECTOR)
	POLYVINYL CHLORIDE (STOPPER)		POLYVINYL CHLORIDE (TUBE)
CODE NO. (OLD)	CL		
DRAWN	K. NAKAMURA	DESIGNED	K. NAKAMURA
DATE	05.12.16	CHECKED	(Signature)
		APPROVED	(Signature)
		RELEASED	
DRAWING NO.	EDC3-150834-21	PART NO.	FX8C-120P-SV1 (91)
SCALE	FREE	CODE NO.	CL578-0526-0-91
UNITS	mm		

TO	
PCK	