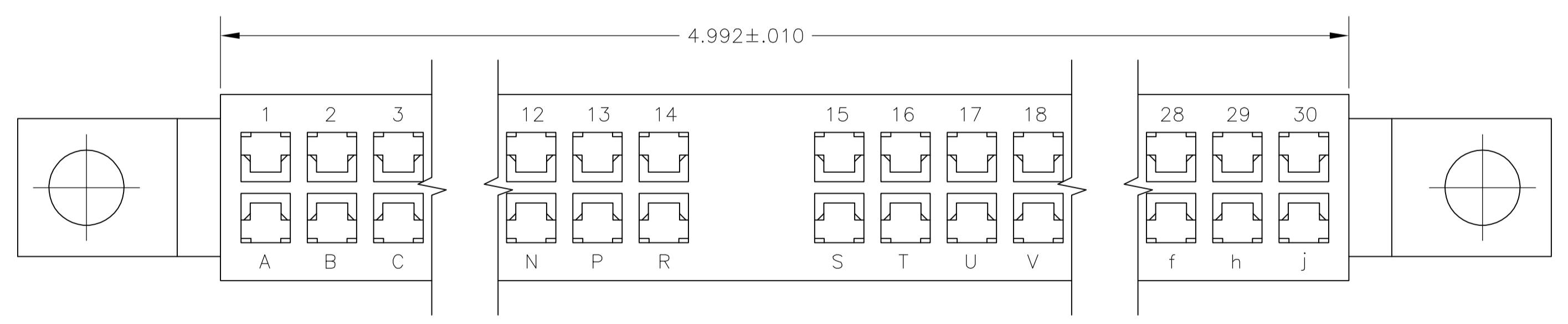
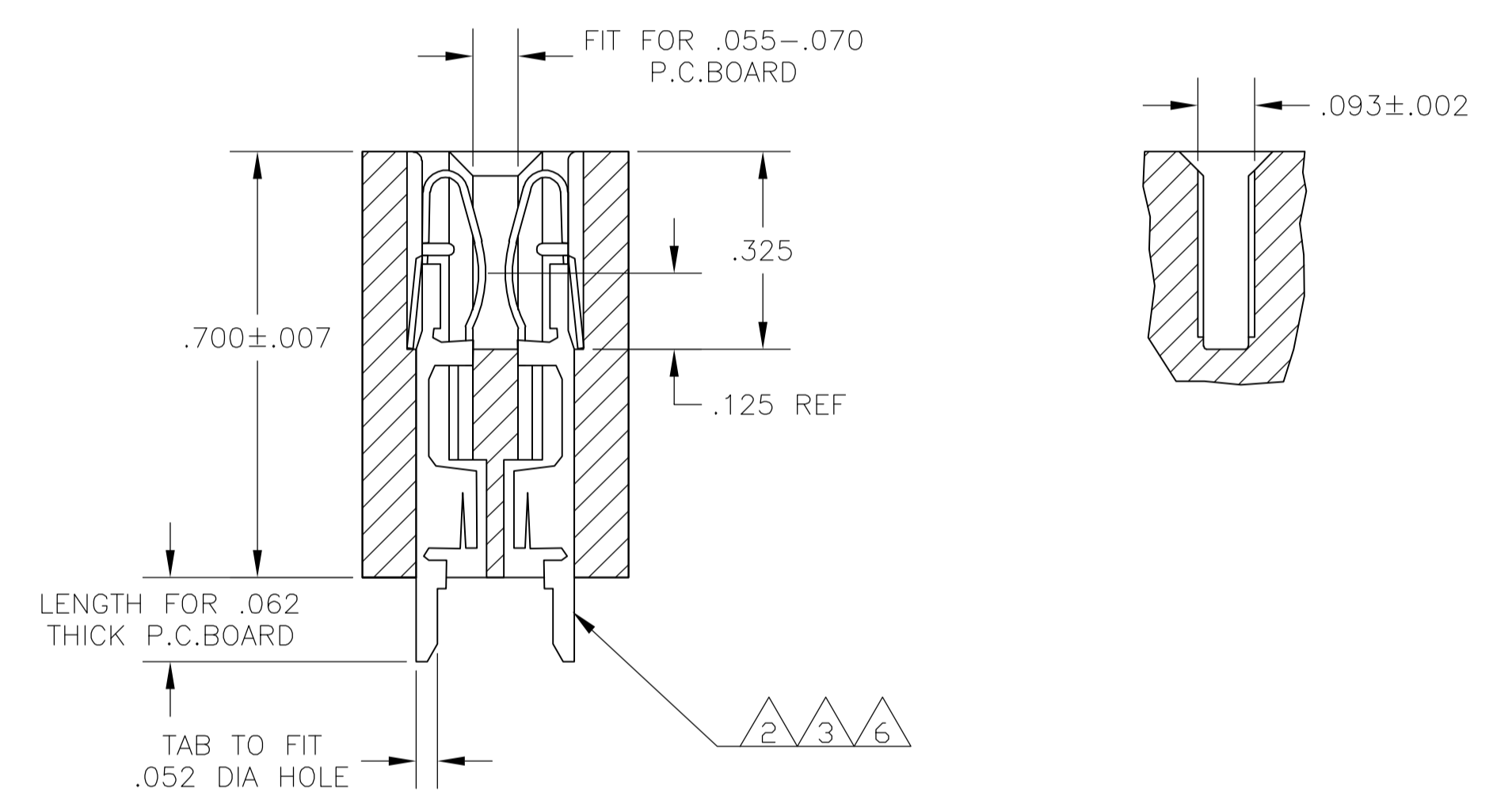
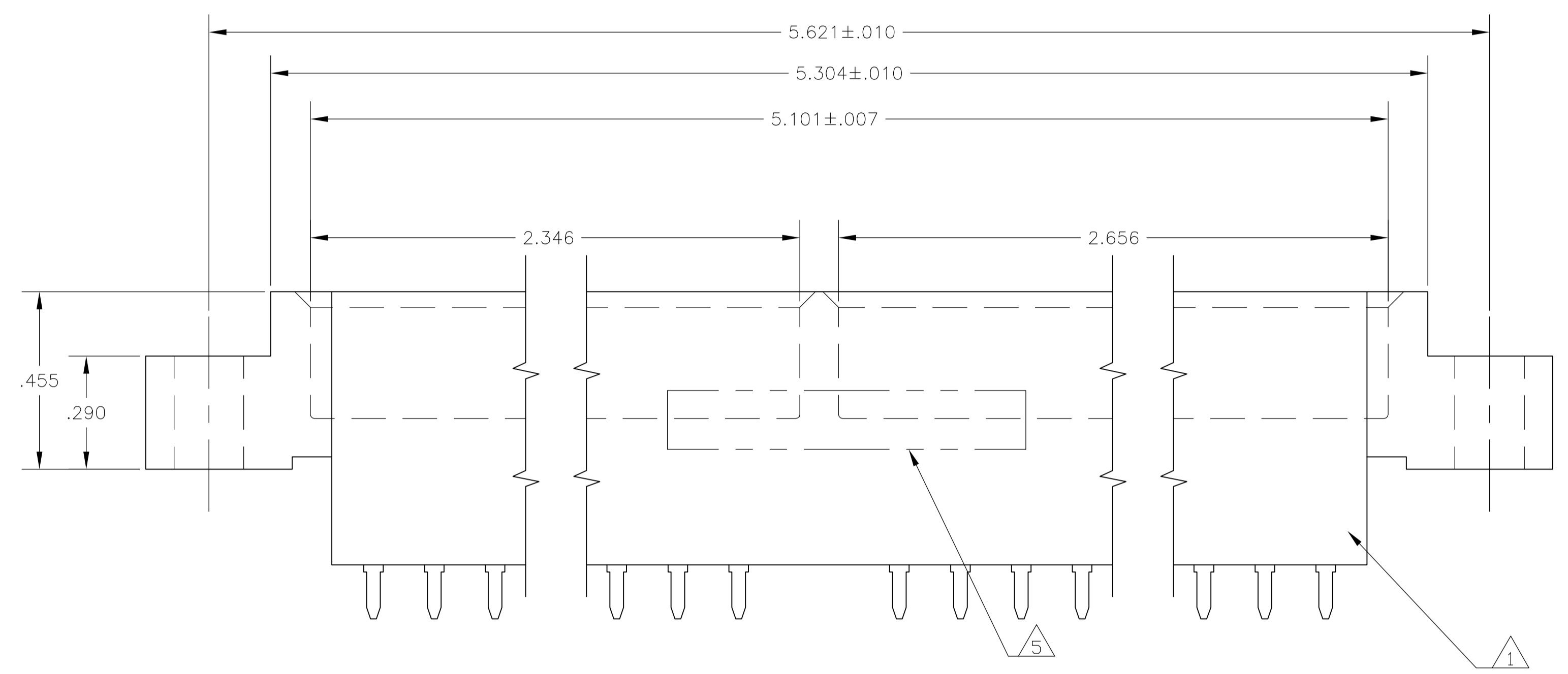


- 1 HOUSING: GLASS FILLED NYLON, COLOR-BLACK
- 2 CONTACT: PHOSPHOR BRONZE
- 3 CONTACT FINISH: NICKEL ALL OVER. SELECTIVE GOLD IN CONTACT AREA ONLY. GOLD FLASH OR TIN ON SOLDER TAILS.
- 5 HOT STAMP AMP PART NUMBER AND DATE CODE IN THIS AREA, PER AMP SPEC. 115-9009.
- 6 CONTACT FINISH: NICKEL ALL OVER. SELECTIVE GOLD IN CONTACT AREA ONLY. GOLD FLASH OR MATTE TIN ON SOLDER TAILS.



6	AS SHOWN	5-145066-1
	AS SHOWN	145066-1
	DESCRIPTION	PART NO.

THIS DRAWING IS A CONTROLLED DOCUMENT.		DWN R BROWN	29MAR94	 Tyco Electronics Corporation Harrisburg, Pa 17105-3608
DIMENSIONS: INCHES		CHK H ROSE	29MAR94	
TOLERANCES UNLESS OTHERWISE SPECIFIED:		APP'D H ROSE	29MAR94	NAME
0 PLC ± -		PRODUCT SPEC		ASSEMBLY, AMP LEAF, 30 DUAL
1 PLC ± -		APPLICATION SPEC		RESTRICTED TO
2 PLC ± -		SIZE		A1
3 PLC ± .005		CAGE CODE		00779
4 PLC ± -		DRAWING NO		145066
ANGLES ± -		WEIGHT		-
FINISH		CUSTOMER DRAWING		SCALE 4:1
1 2		3 6		SHEET 1 OF 1
				REV D