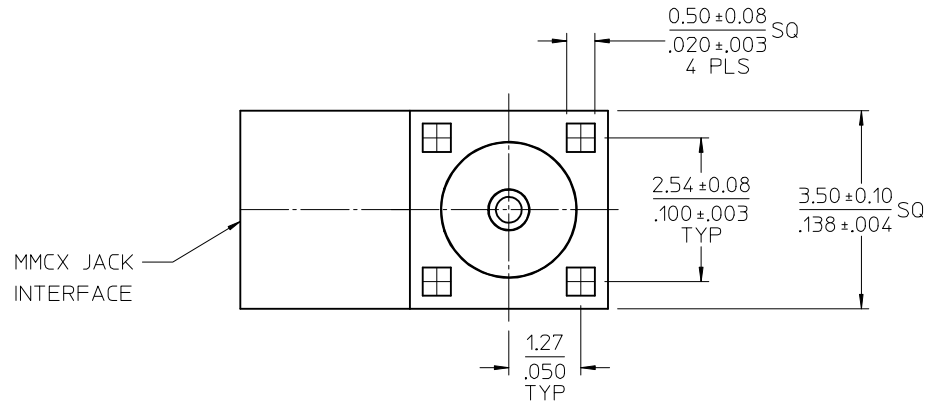
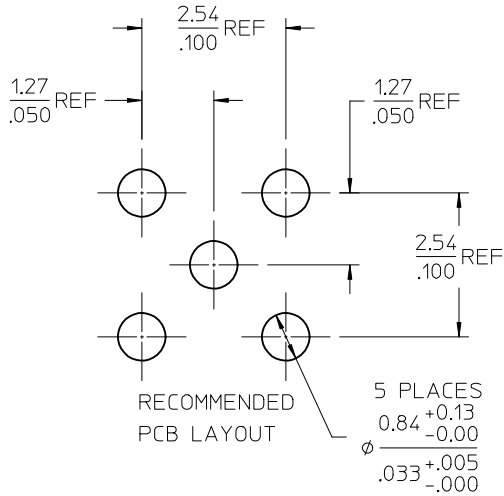
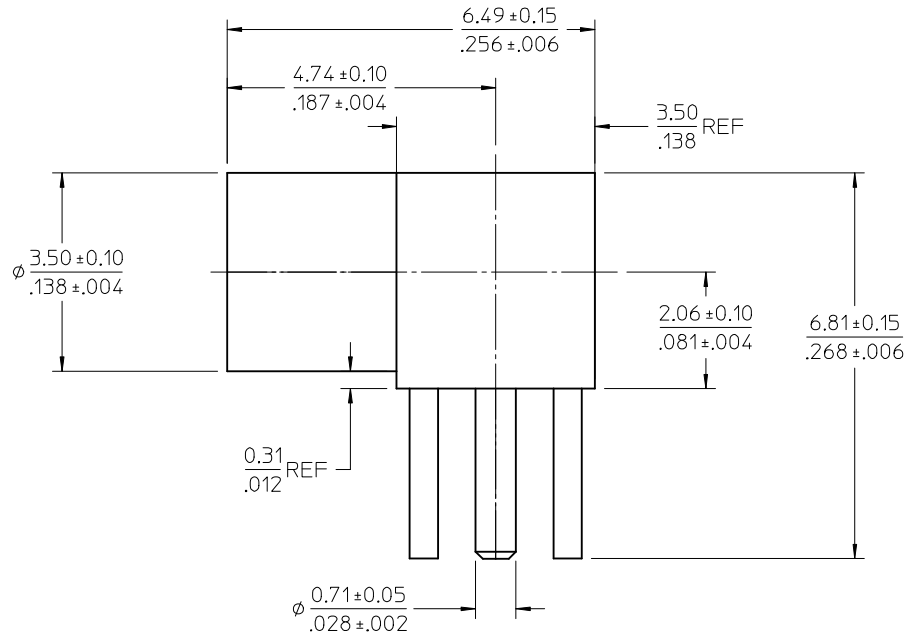
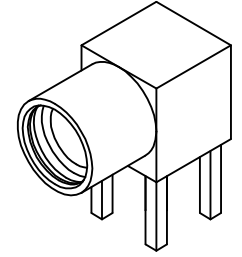


MATERIALS AND FINISHES

BODY: BRASS
PLATED SEE TABLE

CENTER: CONTACT BERYLLIUM COPPER
PLATED GOLD

INSULATOR: TEFLON



73415-1004	GOLD (COMMERCIAL)	TAPE & REEL
73415-1003	TRI-M	TRAY
73415-1002	GOLD (COMMERCIAL)	ONE PER BAG
73415-1001	GOLD (COMMERCIAL)	TRAY
73415-1000	GOLD (MILITARY)	TRAY
PART NO.	BODY PLATING	PACKAGING

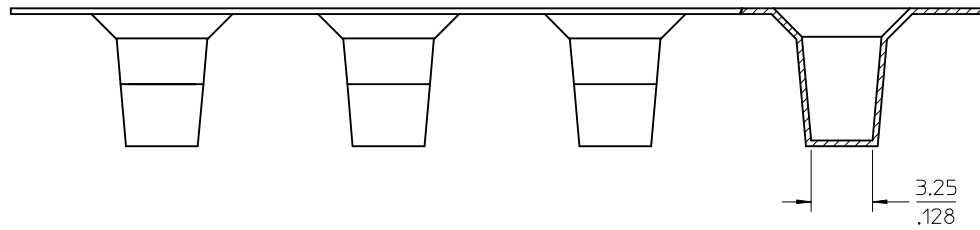
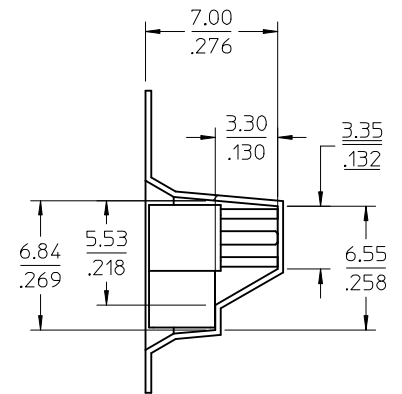
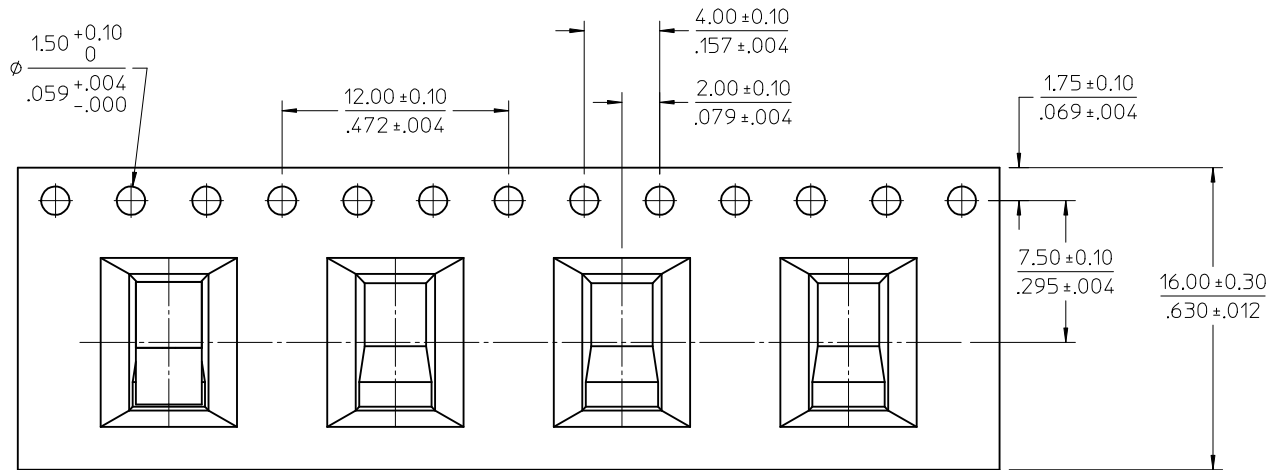
PS-89675-1920	ELECTRICAL/MECHANICAL
SPECIFICATION	DESCRIPTION

CHG: 1000/-1001/-1003 PKG TRAY WAS BULK PER RF15-E198	EC NO: URF2015-0621	DRWN: CME102	2015/05/07
CHKD:	APPR: YCHENG	2015/05/15	
REV	DESCRIPTION		
D5			

QUALITY SYMBOLS	GENERAL TOLERANCES (UNLESS SPECIFIED)
▽=0	mm INCH
▽=0	4 PLACES ± --- ± ---
▽=0	3 PLACES ± --- ± ---
	2 PLACES ± --- ± ---
	1 PLACE ± --- ± ---
	0 PLACE ± ±
	ANGULAR ± 2 °
	DRAFT WHERE APPLICABLE MUST REMAIN WITHIN DIMENSIONS

DIMENSION STYLE	SCALE
MM/IN	
DRAWN BY	DATE
JM	2005/07/22
CHECKED BY	DATE
JM	2005/07/22
APPROVED BY	DATE
JDW	2005/07/22
MATERIAL NO.	DOCUMENT NO.
SEE TABLE	SD-73415-100

DESIGN UNITS	THIRD ANGLE PROJECTION
METRIC	
MMCX JACK, R/A, PCB	
50 OHMS	
MMCX-J/PCB EWR-2734	
molex	
SHEET NO.	1 OF 3

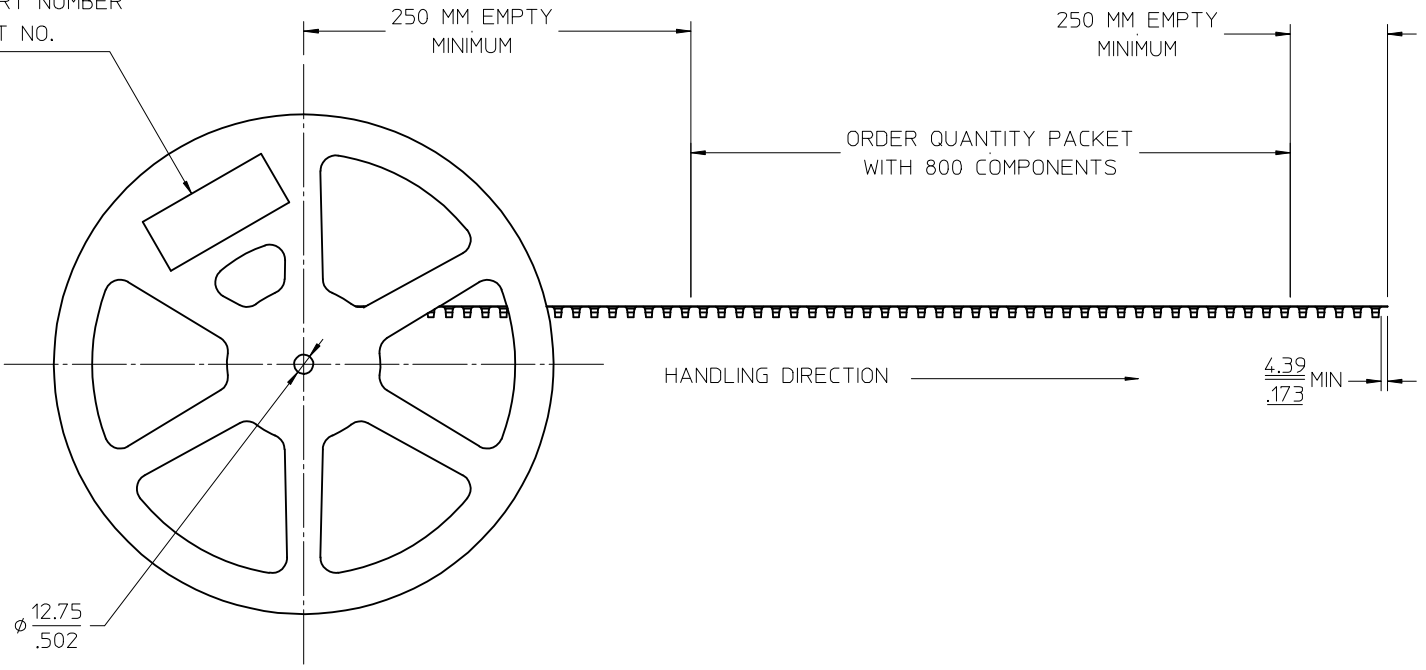
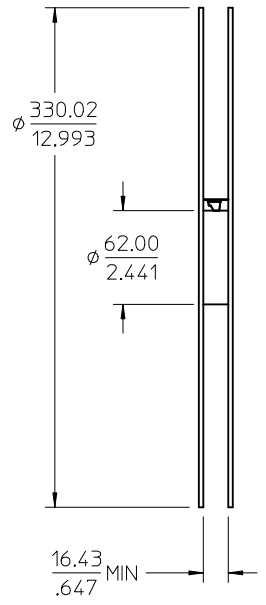


PACKING DESCRIPTION :

1. MATERIAL : PS BLACK-THICKNESS : 0.40±0.05 MM

SEE SHEET 1 IEC NO: URF2015-0621 DRAWN: CWE102 2015/05/07 CHKD: APPR: YCHENG 2015/05/15 D5	QUALITY SYMBOLS 	GENERAL TOLERANCES (UNLESS SPECIFIED)		DIMENSION STYLE	SCALE	DESIGN UNITS	THIRD ANGLE PROJECTION	
		mm	INCH	MM/IN	METRIC			
		4 PLACES ±	±	DRAWN BY	DATE	TITLE		
		3 PLACES ±	±	JM	2005/07/22	MMCX JACK, R/A, PCB		
		2 PLACES ±	±	CHECKED BY	DATE	50 OHMS		
		1 PLACE ±	±	JM	2005/07/22	MMCX-J/PCB EWR-2734		
		0 PLACE ±	±	APPROVED BY	DATE			
				JDW	2005/07/22			
		ANGULAR ± 2°		MATERIAL NO.	DOCUMENT NO.		SHEET NO.	
		DRAFT WHERE APPLICABLE MUST REMAIN WITHIN DIMENSIONS		SEE SHEET 1	SD-73415-100		2 OF 3	
		THIS DRAWING CONTAINS INFORMATION THAT IS PROPRIETARY TO MOLEX INCORPORATED AND SHOULD NOT BE USED WITHOUT WRITTEN PERMISSION						

LABEL:
 -ORDER NO.
 -QUANTITY
 -PART NUMBER
 -LOT NO.



PACKING DESCRIPTION :
 1. COMPONENT LOAD PER 13" REEL : 800 PCS
 2. DIMENSION ARE PROVIDED FOR REFERENCE ONLY

SEE SHEET 1
 EC NO: URF2015-0621
 DRWN:WE102 2015/05/07
 CHKD:
 APPR:YCHENG 2015/05/15

REV	DESCRIPTION
D5	

QUALITY SYMBOLS	GENERAL TOLERANCES (UNLESS SPECIFIED)	
	mm	INCH
▽=0	± ---	± ---
▽=0	± ---	± ---
▽=0	± ---	± ---
	ANGULAR ± 2 °	
	DRAFT WHERE APPLICABLE MUST REMAIN WITHIN DIMENSIONS	

DIMENSION STYLE	
MM/IN	
DRAWN BY	DATE
JM	2005/07/22
CHECKED BY	DATE
JM	2005/07/22
APPROVED BY	DATE
JDW	2005/07/22
MATERIAL NO.	
SEE SHEET 1	
SIZE	
C	

SCALE	DESIGN UNITS	THIRD ANGLE PROJECTION
	METRIC	
TITLE		
MMCX JACK, R/A, PCB		
50 OHMS		
MMCX-J/PCB EWR-2734		
molex		
DOCUMENT NO.	SHEET NO.	
SD-73415-100	3 OF 3	
THIS DRAWING CONTAINS INFORMATION THAT IS PROPRIETARY TO MOLEX INCORPORATED AND SHOULD NOT BE USED WITHOUT WRITTEN PERMISSION		