

8

7

6

5

4

3

2

1

CINCH PART NUMBER MATRIX

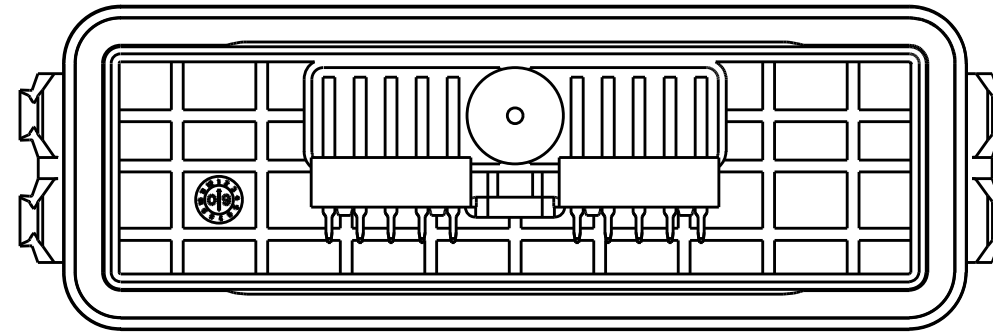
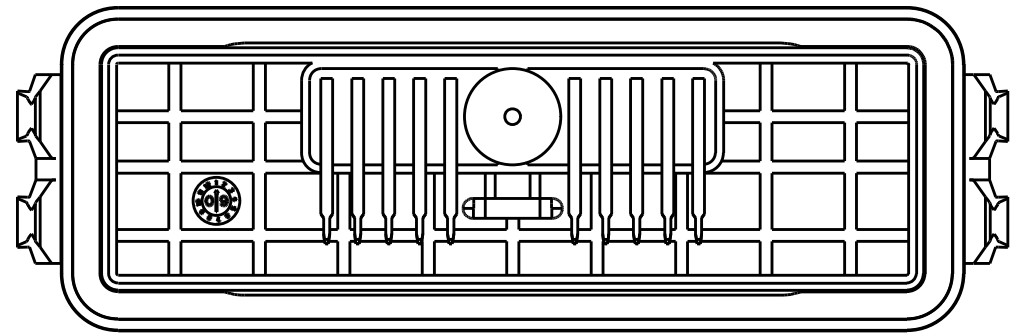
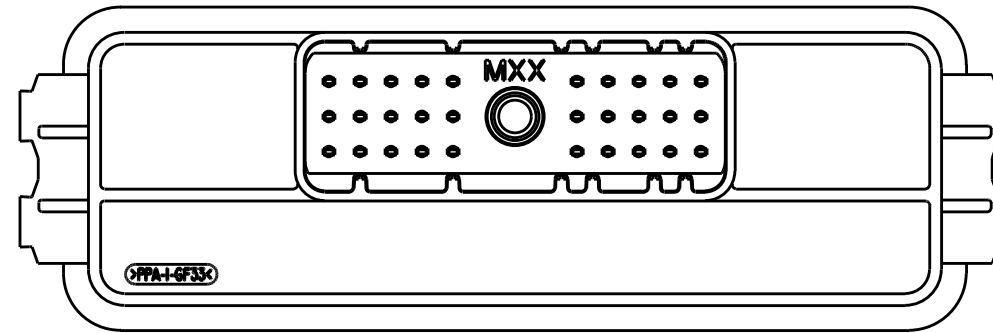
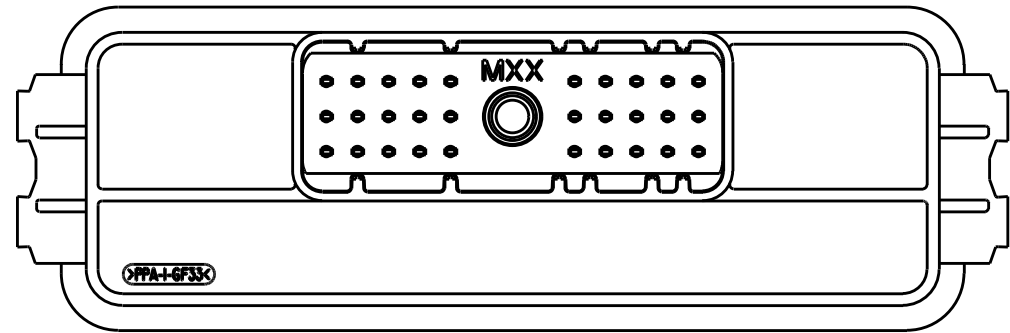
| DRAWING REVISIONS (RELEASE DATE ON FILE) | | | |
|---|----------|------|---------------|
| REV | DOCUMENT | APP | APPROVAL DATE |
| B | CO 1792 | V.R. | 04/22/12 |

P/N: 5810130064

P/N: 5810130072

30-WAY HEADER ASSEMBLY WITHOUT FERRITE FILTERS

30-WAY HEADER ASSEMBLY WITH FERRITE FILTERS



MATES WITH CINCH HARNESS CONNECTOR
P/N: 5810130029

NOTES:

- ALL DIMENSIONS ARE IN INCHES; DIMENSIONS INSIDE [.XX] ARE IN mm, AS REFERENCE ONLY
- MATERIALS:
 INTERFACE SEAL: SILICONE RUBBER, COLOR BLUE
 INSULATOR: 30% GLASS FILLED POLYMER, COLOR BLACK
 BUSHING: BRASS ALLOY, UNPLATED 10-24 UNC THREAD
 TERMINAL BLADES: 1.5 mm BRASS WITH TIN OVER NICKEL PLATING
 FILTERS: FERRITE BLOCKS
- ALL HEADERS ARE REFLOW OR WAVE SOLDERING PROCESS, ROHS COMPLIANT
- SUGGESTED PCB THICKNESS: .062 [1.57]
- IF USING FERRITE FILTER VERSION, TRACES SHOULD BE AVOIDED UNDER THE FERRITE SPACER FEET. SEE "PCB TOP SIDE PIN AREA WITH FERRITES DETAIL" - PAGE 3.
- MATES WITH CINCH SHS PUSH-TO-SEAT HARNESS CONNECTORS (SEE TABLE ABOVE)
- TORQUE MATING CONNECTOR SCREW TO 15 - 20 IN*LBS [1.70 - 2.26 N*m]

| | | | | | | | | | |
|---|--|---------------------------------------|--|--|--|--------------------------------------|--|--|--|
| UNITS ENGLISH INCHES | | DESIGN ENGINEER A. ECKHART | | DATE 9/9/08 | | | | MODELED BY: A. ECKHART 1700 FINLEY RD LOMBARD, IL 60148 | |
| DO NOT SCALE DRAWING | | APPROVALS ON FILE | | TITLE 30-WAY HEADERS MODICE ME | | CONTROL SPEC NUMBER | | PROJECT NUMBER A14926 | |
| CONFIDENTIAL THIS DOCUMENT IS THE PROPERTY OF CINCH. NEITHER THIS DOCUMENT NOR ANY OF THE INFORMATION CONTAINED IN IT MAY BE DUPLICATED OR DISCLOSED WITHOUT PRIOR WRITTEN CONSENT OF CINCH. ©COPYRIGHT 2008 CINCH | | CAD FILE NUMBER 5810130064S | | DRAWING NUMBER 5810130064S | | MATERIAL SPEC NUMBER 71785 | | FINISH B | |
| | | SCALE 1:1 | | SHEET 1 OF 3 | | | | | |

8

7

6

5

4

3

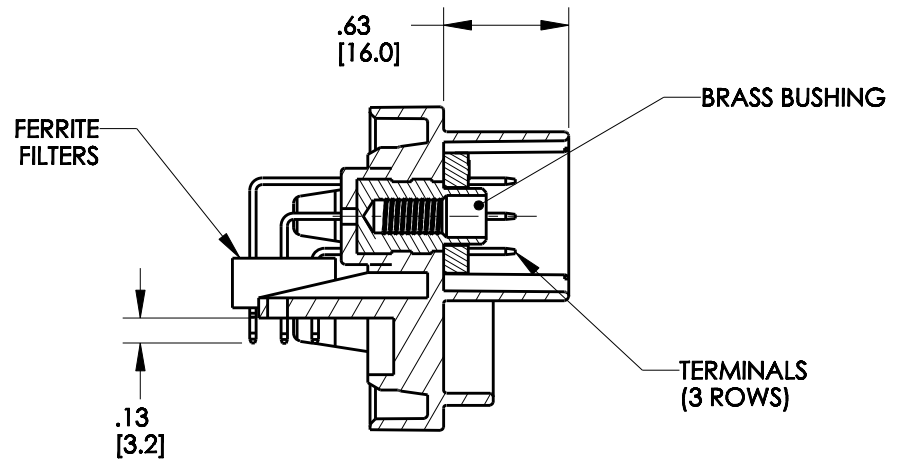
2

1

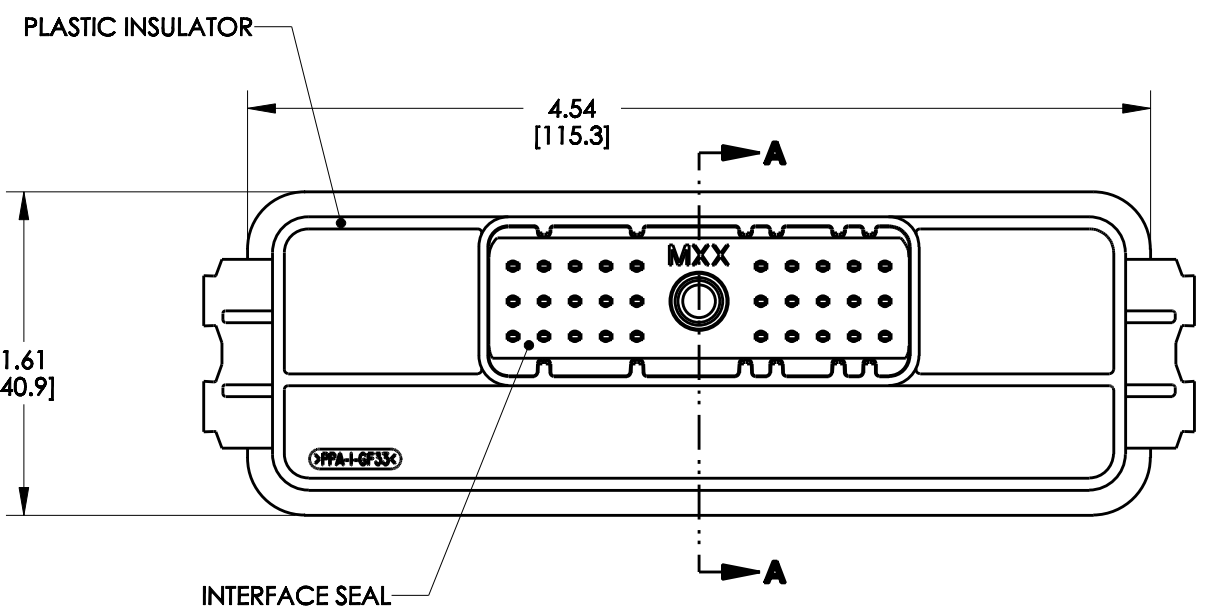
8 7 6 5 4 3 2 1

D

D

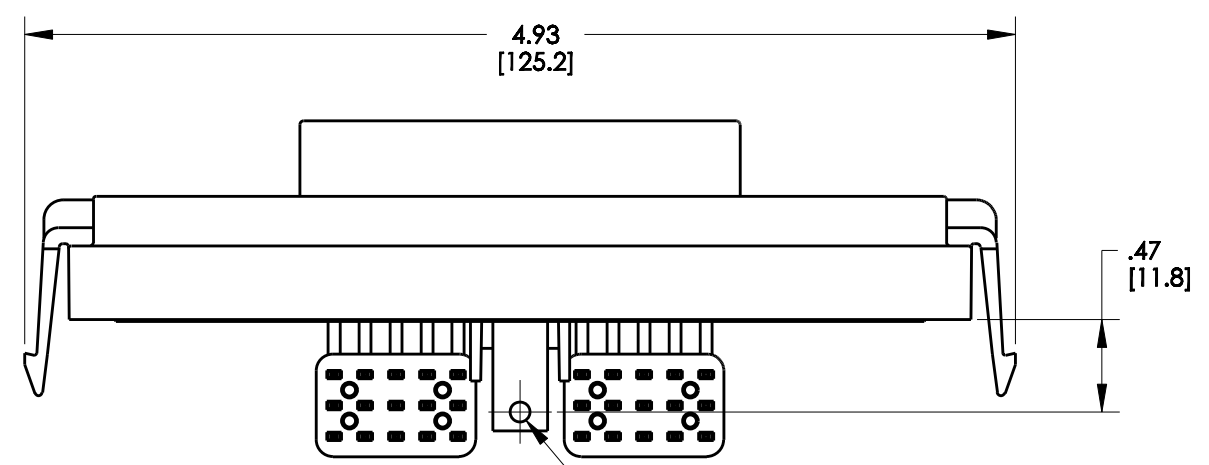
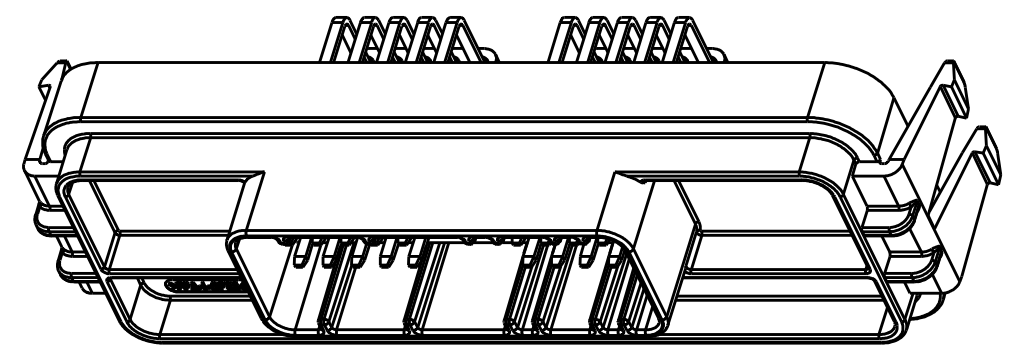


SECTION A-A



C

C



FOR PCB MOUNTING, #4 THREAD CUTTING SCREW (TYPE 23 OR SIMILAR) IS RECOMMENDED; TORQUE TO 2-3 IN*LBS [0.23-0.34Nm]

**CINCH P/N: 5810130072 SHOWN
(HEADER WITH FILTERS)**

B

B

A

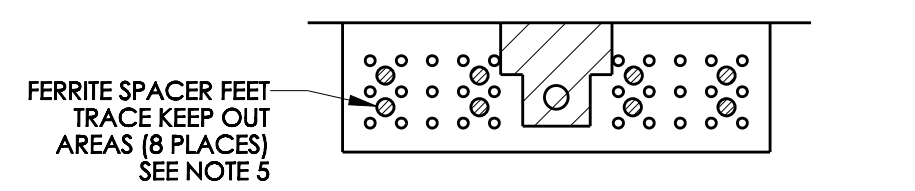
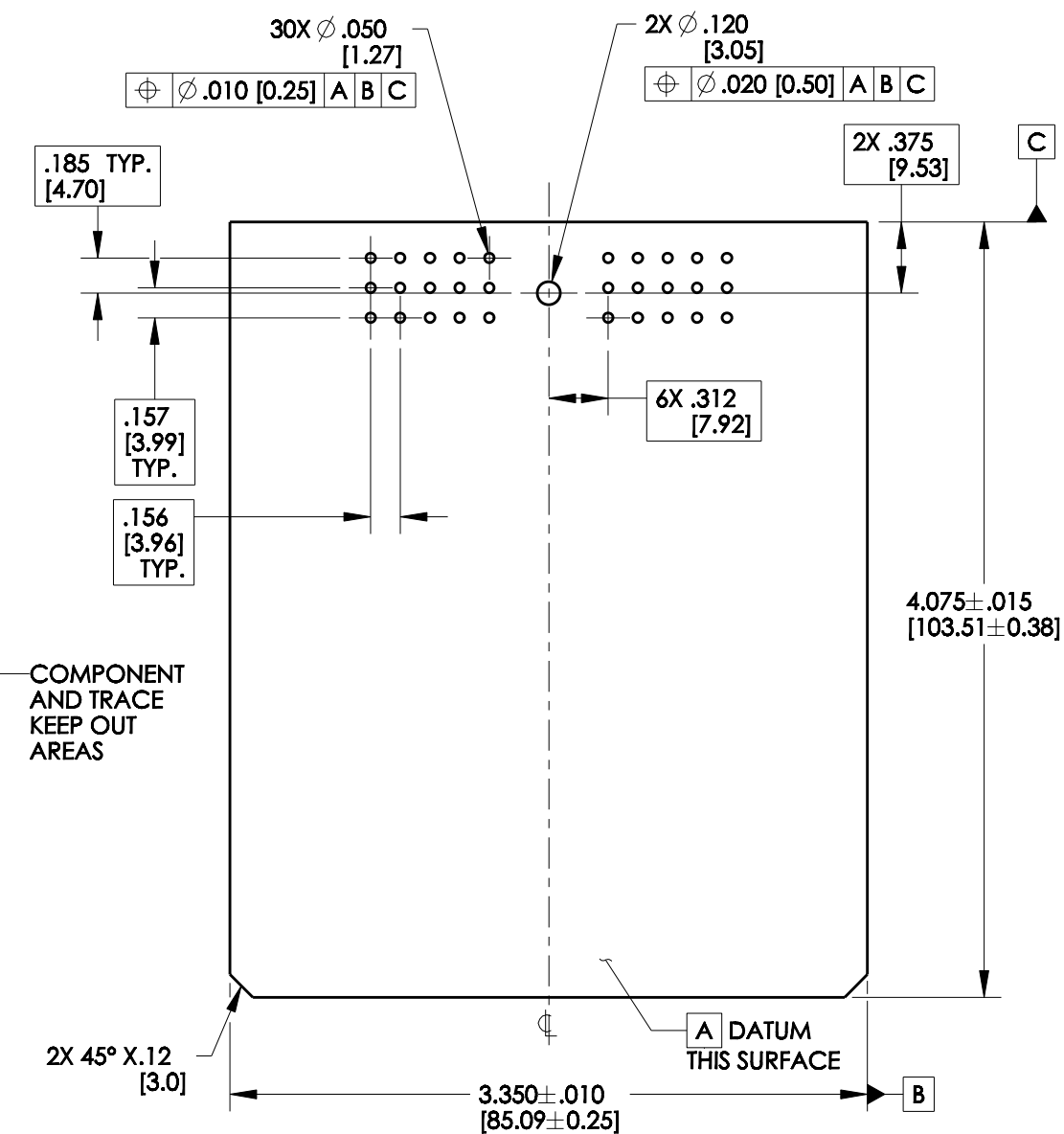
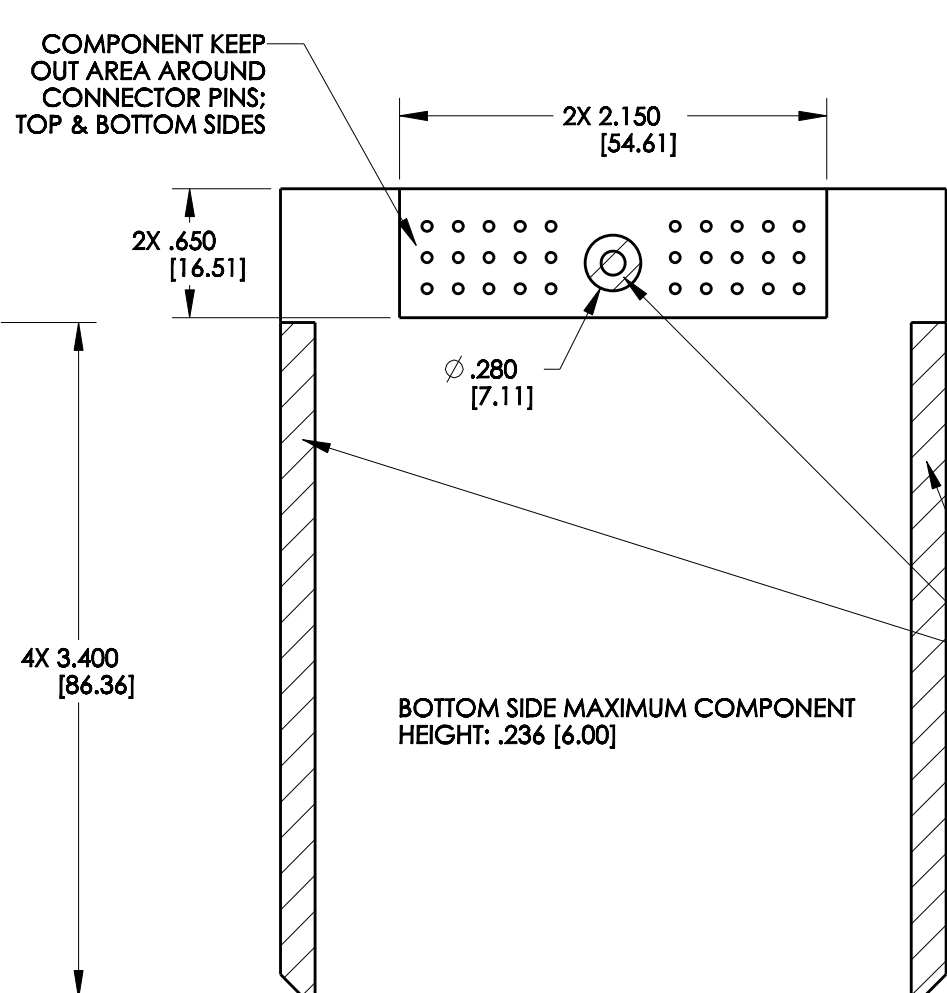
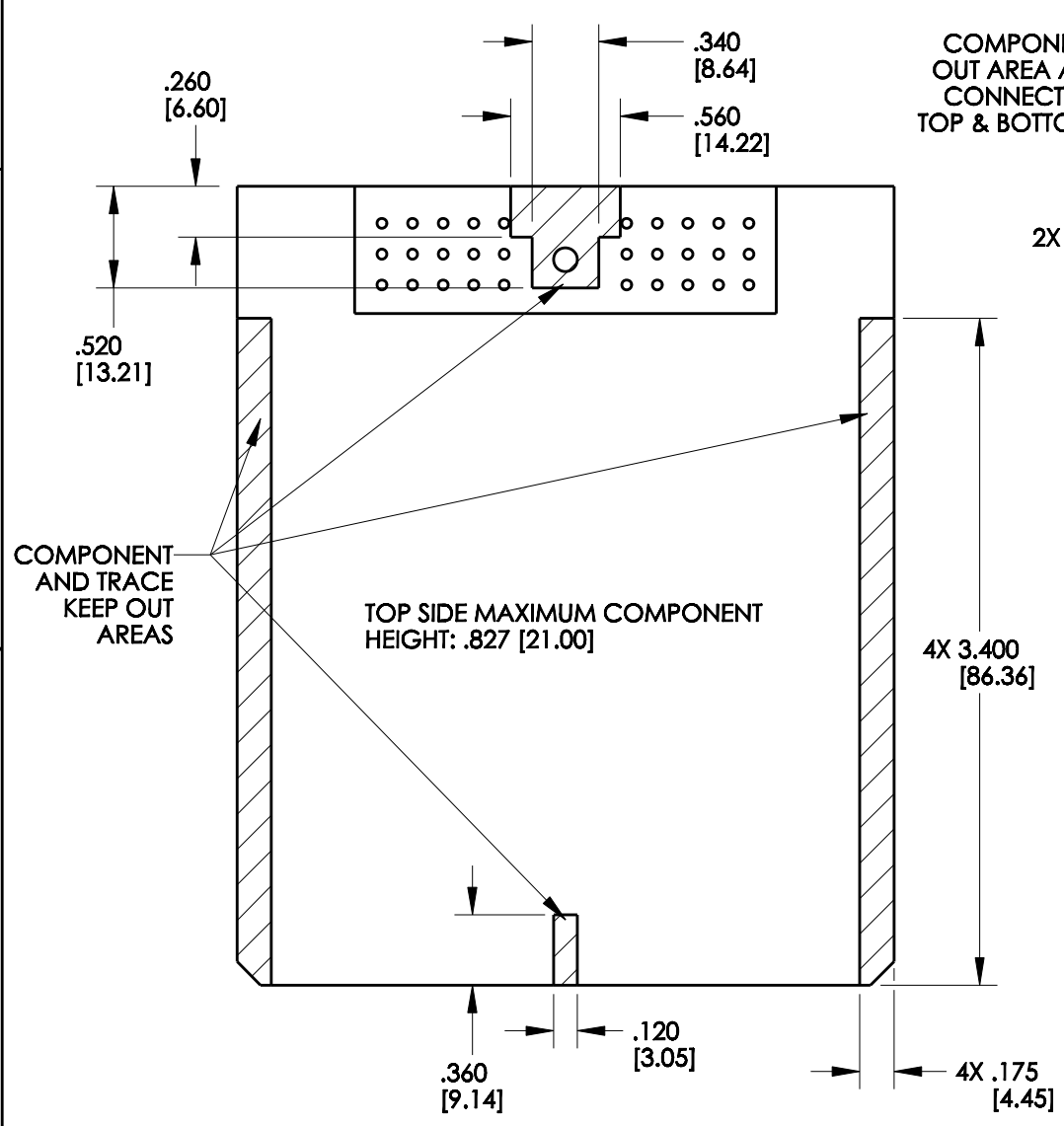
| | | | | | |
|--|------------------|--------------------------------------|--------------|--------------------------------------|--|
| UNITS ENGLISH INCHES | | CINCH | | 1700 FINLEY RD LOMBARD, IL. 60148 | |
| DO NOT SCALE DRAWING | | TITLE 30-WAY HEADERS MODICE ME | | | |
| CONFIDENTIAL THIS DOCUMENT IS THE PROPERTY OF CINCH. NEITHER THIS DOCUMENT NOR ANY OF THE INFORMATION CONTAINED IN IT MAY BE DUPLICATED OR DISCLOSED WITHOUT PRIOR WRITTEN CONSENT OF CINCH. ©COPYRIGHT 2008 CINCH | | DRAWING NUMBER 5810130064S | | REV B | |
| CAD FILE NUMBER 5810130064S | SIZE B | SCALE 1:1 | SHEET 2 OF 3 | | |

8 7 6 5 4 3 2 1

PCB TOP SIDE GENERAL ZONING AND KEEP-OUT AREAS

PCB BOTTOM SIDE GENERAL ZONING AND KEEP-OUT AREAS

PCB OVERALL DIMENSIONS AND HOLE LOCATIONS



PCB TOP SIDE PIN AREA WITH FERRITES DETAIL

| | | | |
|---|---------------------------------------|--------------------------------------|--------------------------------------|
| UNITS ENGLISH INCHES | CINCH | | 1700 FINLEY RD LOMBARD, IL. 60148 |
| DO NOT SCALE DRAWING | TITLE 30-WAY HEADERS MODICE ME | | |
| | PRO/E DRAWING | | |
| <small>CONFIDENTIAL</small> <small>THIS DOCUMENT IS THE PROPERTY OF CINCH. NEITHER THIS DOCUMENT NOR ANY OF THE INFORMATION CONTAINED IN IT MAY BE DUPLICATED OR DISCLOSED WITHOUT PRIOR WRITTEN CONSENT OF CINCH. ©COPYRIGHT 2008 CINCH</small> | CAD FILE NUMBER 5810130064S | DRAWING NUMBER 5810130064S | REV B |
| | CAGE IDENT NO. 71785 | SIZE B | SCALE 1:1 |
| | | | SHEET 3 OF 3 |