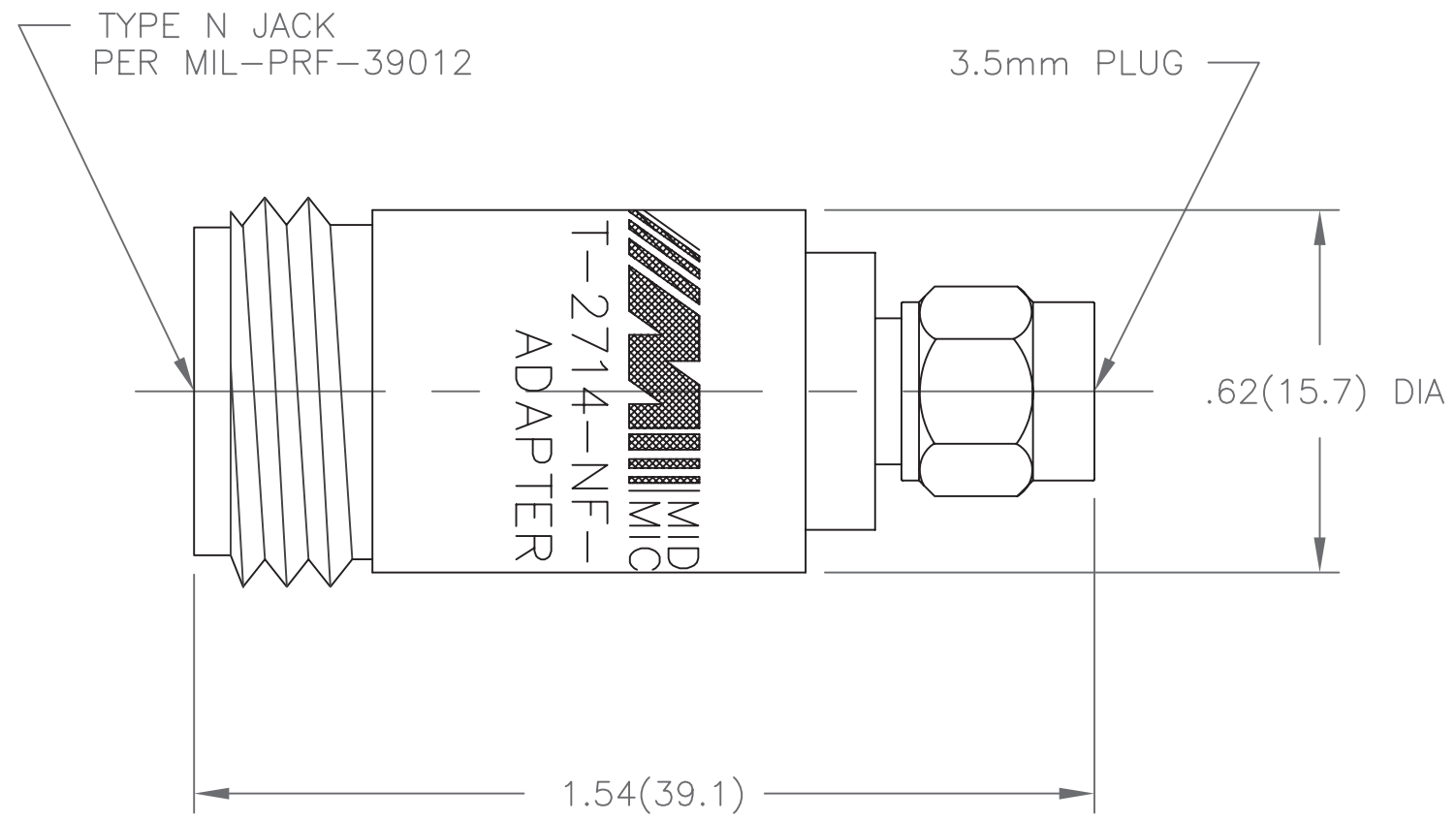


MODEL NUMBER
ADT-2714-NF-3MM-02


NOTES:

- 1.0 MATERIALS:
 - 1.1 HOUSING & NUT: STAINLESS STEEL PER ASTM-A582, TYPE 303.
 - 1.2 CENTER CONTACT: BERYLLIUM COPPER ROD ALLOY C172, PER ASTM-B196.
 - 1.3 DIELECTRIC: PTFE FLUOROCARBON PER ASTM-D1457.
- 2.0 PLATING:
 - 2.1 HOUSING & NUT: PASSIVATED PER MIL-F-14072 & QQ-P-35.
 - 2.2 CENTER CONTACT: GOLD PER MIL-G-45204, TYPE II, CLASS 2.
- 3.0 ELECTRICAL SPECIFICATIONS:
 - 3.1 FREQUENCY RANGE: DC to 18.0 GHz
 - 3.2 VSWR (MAX.):
 - DC to 4.0 GHz: 1.04:1
 - 4.0 TO 8.0 GHz: 1.07:1
 - 8.0 to 18.0 GHz: 1.12:1
 - 3.3 IMPEDANCE: 50 OHMS
- 4.0 MARKING: MARK UNIT AS SHOWN (REF: INK-02669-27-27)
- 5.0 DIMENSIONS IN PARENTHESIS ARE IN MILLIMETERS.



DWG. NO. WAS: 04459-01-00

REV.	DESCRIPTION	DATE
I	RELEASED	3/3/83
A	ECR 2804	4/19/84
B	ECR 6545	7/25/89
B1	UPDATE MODEL#	12/14/92
C	UPDATE ON CAD	12/16/92
C1	ADDED TITLEBLOCK	3/16/05

NOTICE: The information contained in this drawing is proprietary and must not be used without the permission of Cinch Connectivity Solutions. UNLESS OTHERWISE NOTED DIMENSIONS ARE IN INCHES AND TOLERANCES ARE: 3 PLACE DECIMALS ±.005 2 PLACE DECIMALS ±.02 FRACTIONS ±1/64 PARALLELITY: T.I.R. _____ FLATNESS: T.I.R. _____ CONCENTRICITY: T.I.R. _____ ANGLES AND PERPENDICULARITY: ±1°	CAGE CODE 34078	MIDWEST MICROWAVE	
		TITLE ADAPTER 3.5MM PLUG TO TYPE N JACK OUTLINE DRAWING	
DRAWN/DATE M.HOLLMAN 12/15/92	ENG./DATE A.OSGA 12/18/92	DRAWING NUMBER ADT-2714-NF-3MM-02-01	REV. C1
CHECKED/DATE A.BEATTY 12/18/92	APPROVED/DATE	SCALE: 3=1	SHEET 1 of 1