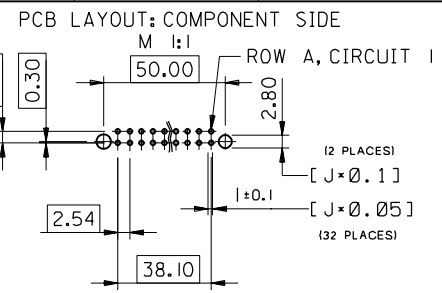
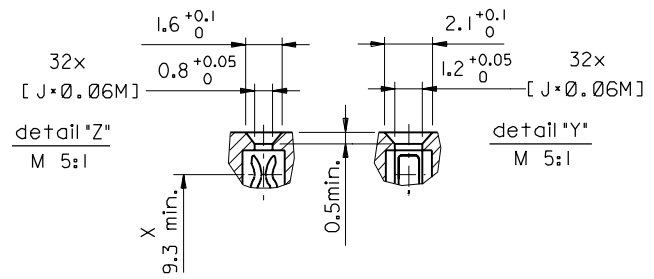
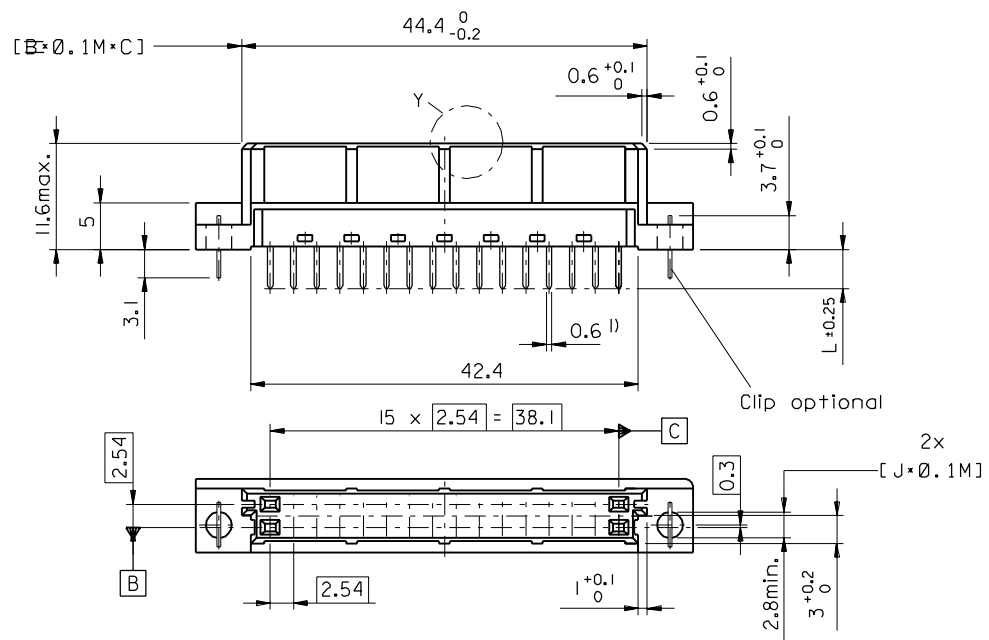
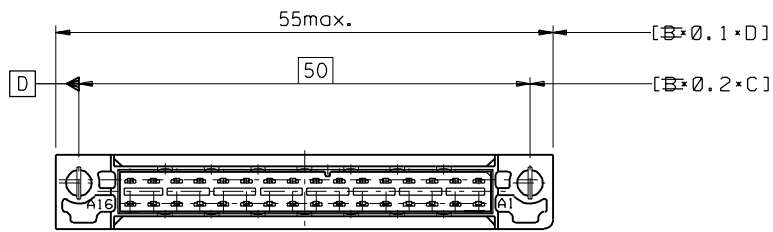
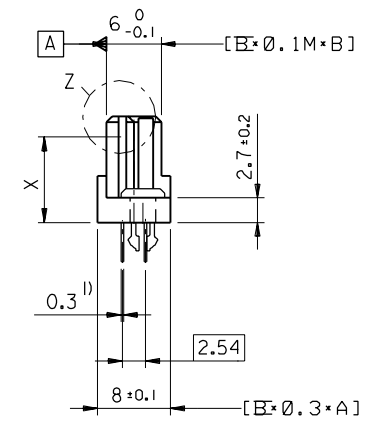


PART NO.
DWG. NO.



1) tails to fit in PC-board layout



FIRST ANGLE PROJECTION

UNLESS OTHERWISE SPECIFIED TOLERANCES: ANGULAR ±2°		DRWG BY	SIGN
INCH METRIC		KN	
3 PLACE ±	±	CHK'D BY	SIGN
2 PLACE ±	±	Ca	
1 PLACE ±	±	APP'D BY	SIGN
DRAFT WHERE APPLICABLE MUST REMAIN WITHIN DIMENSIONS		FB	
DESIGN DIMENSION	<input checked="" type="checkbox"/> MM	SCALE	
	<input type="checkbox"/> IN.	2:1	
EQUIVALENT DIMENSION	<input type="checkbox"/> MM		
	<input type="checkbox"/> IN.		
IF TWO DIMENSIONS ARE SHOWN THE UPPER IS THE DESIGN DIMENSION, LOWER IS SECONDARY			

REVISE ONLY ON CAD SYSTEM

CAECAM PROJECT NAME	SH. REV.
85040000 s21	
THIS DRAWING CONTAINS INFORMATION THAT IS PROPRIETARY TO MOLEX INC. & SHOULD NOT BE USED WITHOUT WRITTEN PERMISSION	
TITLE	
32pos. Female connector DIN 41612 style B/2, with clip, Dimensions	
MOLEX MOLEX EUROPE	SHEET NO. DATE
	1 OF 1 96/04/23
PART NO.	SIZE
SDA-85040-0002	B

ECN MG1998-2727	REVISIONS
new fixing clip 98-04-14 Co	
LTR	FOR PREVIOUS REVISIONS SEE MRI LIST

VIEW ON MATING SIDE

∞	A	A	A	A	A	A	A	A	A	A	A	A	A	A	A
◁	A	A	A	A	A	A	A	A	A	A	A	A	A	A	A

1 2 3 4 5 6 7 8 9 10 11 12 13 14 15

A = 32 CONTACTS L-2,9

Marking	Standard
Performance level	G2/0 = Contact area level2 / Termination tin
Flux proof	no
Fixing clip	no
Dimensions	SDA-85040-0002 sht.1
Technical Data	PS-85042-0001

A	G2/0	a1-16	b1-16
Contact symbol	Perform. level	Contact position number	

ECN 2264 Produkt spec. 96-10-18 KN	REVISIONS	FOR PREVIOUS REVISIONS SEE MRI LIST	
LTR	A-1	SCALE	REVISIONS
UNLESS OTHERWISE SPECIFIED TOLERANCES: ANGULAR ± 2°		DRWG BY	SIGN
INCH		Ca	
3 PLACE ± .	±	CHK'D BY	SIGN
2 PLACE ± .	±	KN	
1 PLACE ± .	±	APP'D BY	SIGN
DRAFT WHERE APPLICABLE MUST REMAIN WITHIN DIMENSIONS			
DESIGN DIMENSION <input type="checkbox"/> MM <input type="checkbox"/> IN.			
EQUIVALENT DIMENSION <input type="checkbox"/> MM <input type="checkbox"/> IN.			
IF TWO DIMENSIONS ARE SHOWN, THE UPPER IS THE DESIGN DIMENSION, LOWER IS SECONDARY			
REVISE ONLY ON CAD SYSTEM		CAD/CAM PROJECT NAME	SH. REV.
		s8504000 s11	THIS DRAWING CONTAINS PROPRIETARY TO MOLEX INC. & SHOULD NOT BE USED WITHOUT WRITTEN PERMISSION
TITLE		SHEET NO. DATE	
32 pos. female connector acc. DIN 41612 style B/2 contacts arrangement		1 OF 1 96/05/15	
		PART NO. DWG NO. SIZE	
		MOLEX EUROPE SDA-85040-0012 A	