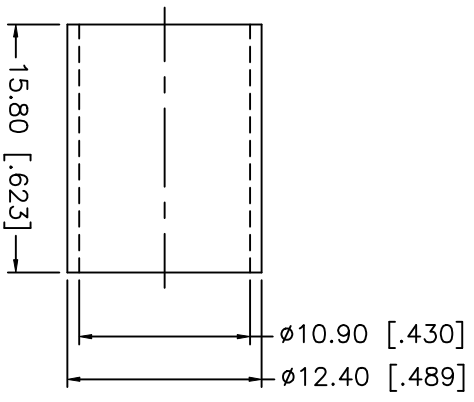
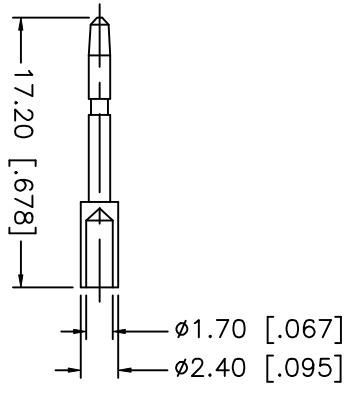
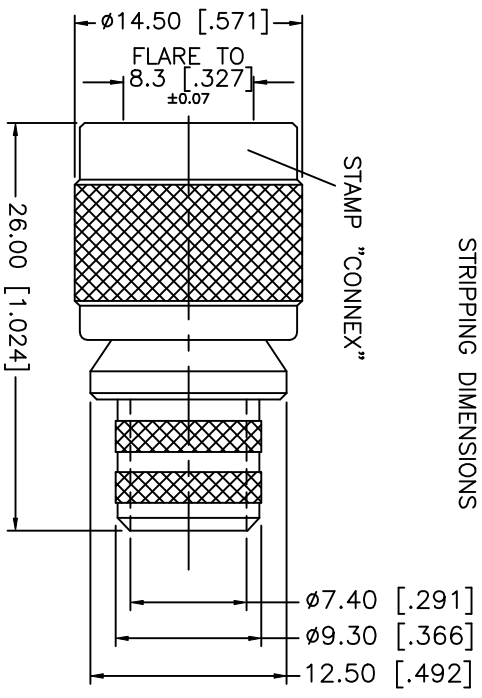
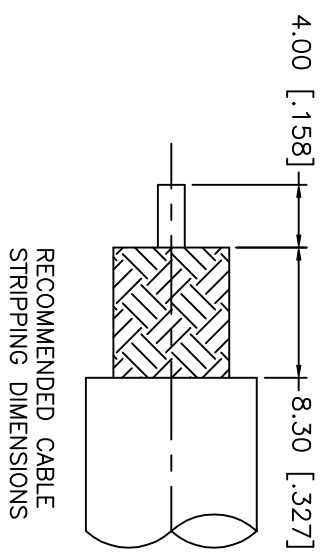


REV.	DATE	DESCRIPTION
A	10/25/99	UPDATE CONTACT PIN



- CRIMP NOTES:
1. CRIMPED FERRULE  
HEX CRIMP SIZE .429"
  2. CRIMP CONTACT PIN  
HEX CRIMP SIZE .068"

DESCRIPTION	MATERIAL	FINISH	UNLESS OTHERWISE SPECIFIED DIMENSIONS ARE IN MILLIMETERS DIMENSIONS IN [ ] ARE IN INCHES FOR CUSTOMER REFERENCE ONLY	APPROVALS	DATE	TITLE
1 BODY	BRASS	NICKEL		DRAWN	G.R.S.	10/25/99
2 INSULATOR	TEFLON	NATURAL		CHECKED		
3 CONTACT PIN	BRASS	GOLD		ISSUED		
4 FERRULE	BRASS	NICKEL				
5						
6						
7						
8						

UNLESS OTHERWISE SPECIFIED TOLERANCES FOR MILLIMETERS ARE:			
0.5-6	= ± 0.2		
6-30	= ± 0.4		
30-120	= ± 0.6		
120-315	= ± 1		
315-1000	= ± 1.6		
1000-2000	= ± 2.4		

SCALE	PART NO.	DWG. NO.	SHEET
NA	122470	122470.DWG	1 OF 1

REV.	DESCRIPTION
NC	

**Amphenol - Connex**  
CONNECTOR CORPORATION

TNC CRIMP PLUG  
(FOR BELDEN 9292, 8213, CABLE)