

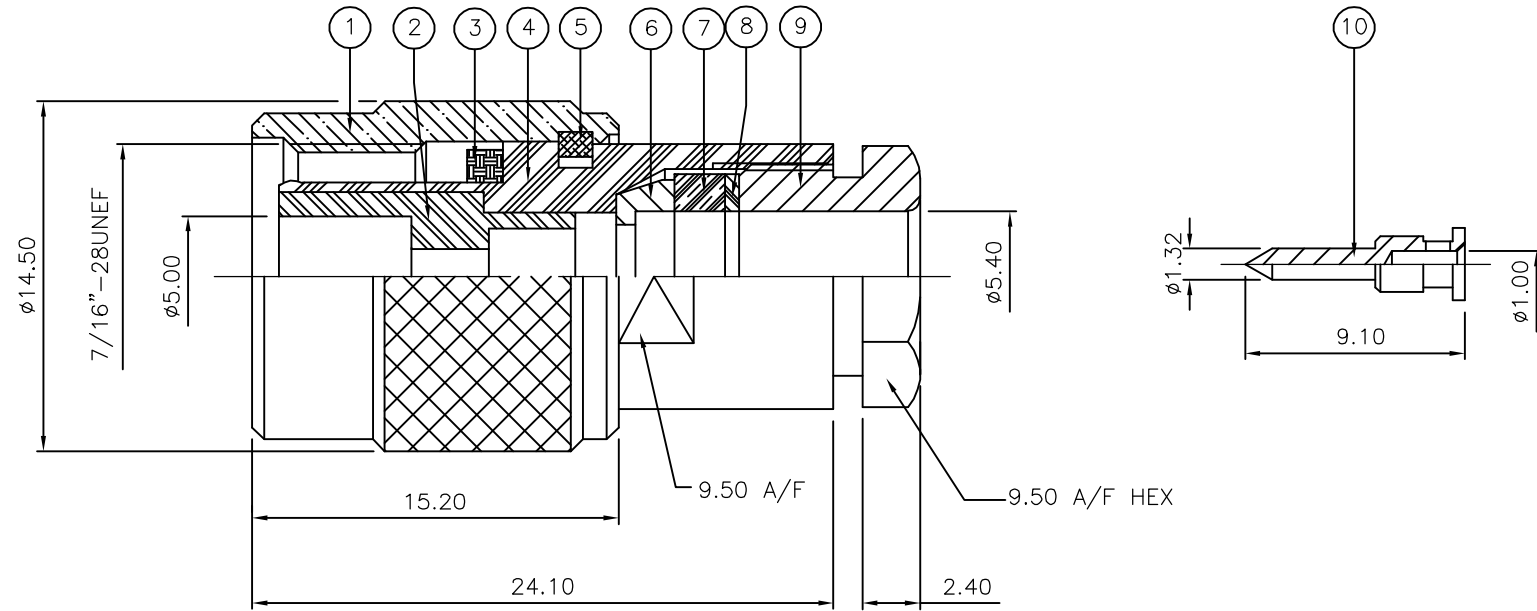
THIS DRAWING IS UNPUBLISHED. RELEASED FOR PUBLICATION FEB ,2006.

© COPYRIGHT 2006 BY TYCO ELECTRONICS CORPORATION. ALL RIGHTS RESERVED.

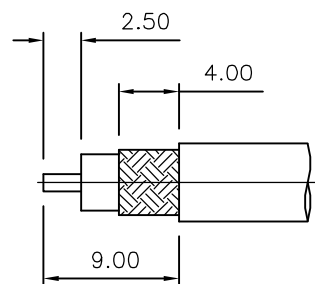
LOC	DIST	REVISIONS					
E	B	P	LTR	DESCRIPTION	DATE	DWN	APVD
		C		ECR-06-002568	15FEB06	JMS	FWK

NOTES:

- ① PACK IN ACCORDANCE WITH AMP SPEC 107-3275
 - ② 100 TRAY PACK IN ACCORDANCE WITH AMP SPEC 107-3275
 - ③ Au PLATING
 - ④ Ni PLATING
 - ⑤ THIS ITEM MUST BE WHITE
- 6 ELECTRICAL CHARACTERISTICS
 FREQUENCY RANGE: DC - 11 GHz
 NOMINAL IMPEDANCE: 50 Ohm
 INSULATION RESISTANCE: 5000 MOhm
 WORKING VOLTAGE: 500 Volts RMS at Sea Level
 DIELECTRIC WITHSTAND VOLTAGE: 1500 Volts RMS Max
 CONTACT RESISTANCE:
 CENTRE CONTACT: 1.50 mOhm Max
 OUTER CONTACT: 1.00 mOhm Max
 VSWR @ 4GHz: 1.30:1 Max
 INSERTION LOSS dB @ x 3 GHz: 0.20 Max
- 7 MECHANICAL CHARACTERISTICS
 COUPLING NUT RETENTION FORCE: 445N Min
 CABLE RETENTION FORCE: 170N Min
 CLAMP NUT RECOMMENDED TORQUE: 4N
 DURABILITY: 500 Cycles Min
- 8 ENVIRONMENTAL CHARACTERISTICS
 OPERATING TEMPERATURE: -65 to +165 DegC



RECOMMENDED CABLE STRIPPING DIM'S



	1	1	BRASS	③	CONTACT	10
	1	1	BRASS	④	CLAMP NUT	9
	1	1	BRASS	④	WASHER	8
	1	1	SILICONE RUBBER	⑤	GASKET	7
	1	1	BRASS	④	SLEEVE	6
	1	1	BRASS	④	CIRCLIP	5
	1	1	BRASS	④	BODY	4
	1	1	SILICONE RUBBER	⑤	GASKET	3
	1	1	PTFE		INSULATION	2
	1	1	BRASS	④	COUPLING NUT	1
	6--0	1--0	MATERIAL		DESCRIPTION	ITEM

QUANTITY PER ASSY		PARTS LIST	
DWN J.SANDWELL 15FEB06		Tyco Electronics Corporation	
CHK S.PARLOW 15FEB06		Bideford EX39 4HE	
APVD F.WHEELER-KING 15FEB06		NAME	
PRODUCT SPEC		TNC STRAIGHT PLUG MIL-CLAMP 50 OHM	
APPLICATION SPEC		RG58C/U, 141A/U, URM43,	
411-3252		76 & BELDEN 9907, KX15	
SIZE	CAGE CODE	DRAWING NO	RESTRICTED TO
A3	00779	C-1337612	-
CUSTOMER DRAWING		SCALE	SHEET 1 OF 1 REV C
		NTS	

THIS DRAWING IS A CONTROLLED DOCUMENT.	
DIMENSIONS: mm	TOLERANCES UNLESS OTHERWISE SPECIFIED:
	0 PLC ± -
	1 PLC ± -
	2 PLC ± -
	3 PLC ± -
	4 PLC ± -
	ANGLES ± -
MATERIAL SEE TABLE	FINISH -