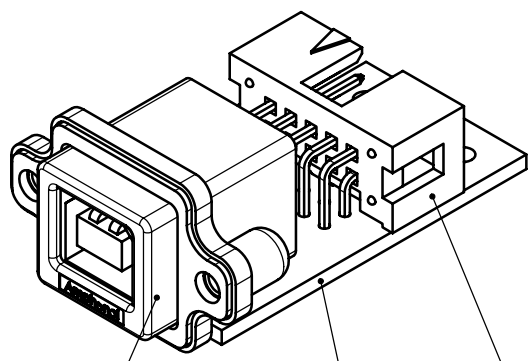


4-40 UNC x 5.5 [.217] LENGTH  
2 HOLES



CONNECTOR

PCB

CABLE HEADER  
SAMTECH TST-105-04-L-D-RA

NOTES:

1. COMPONENTS:

- CONNECTOR: MUSB-D111-3X, RECEPTACLE, TYPE B, SINGLE, 4 CONTACTS PER PORT.
- CABLE TERMINATION: 10 POSITION, IDS SOCKET AT 2.54 MM [0.100"] CENTERS (NOT SUPPLIED).

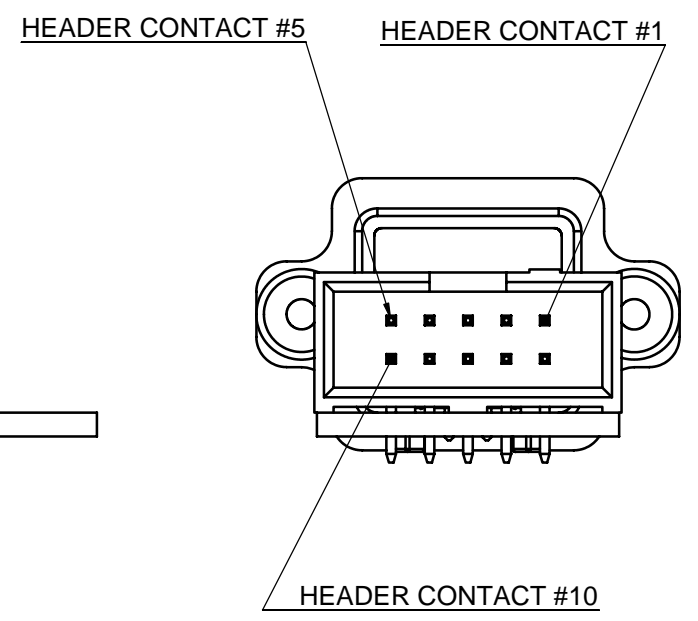
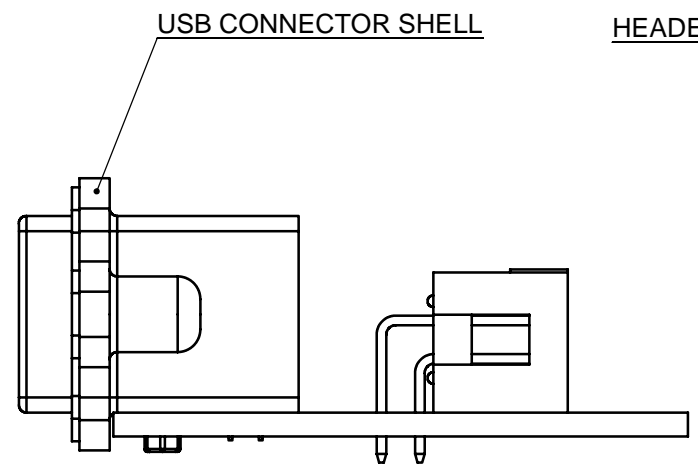
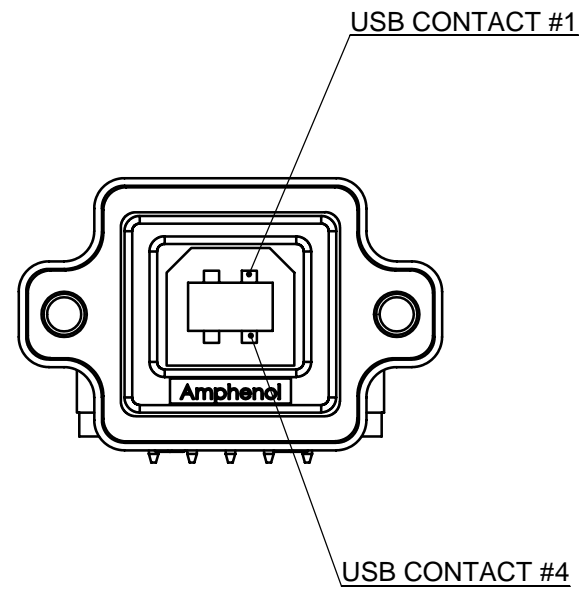
2. FEATURE:SEALED CONNECTOR IN THE MATED AND UNMATED CONDITIONS.

3. OPERATING TEMPERATURE: -40°C TO +105°C.

4. ENVIRONMENT PERFORMANCE: IP67.

5. ALL COMPONENTS AND MATERIALS USED FOR CONNECTOR AND PACKAGING ARE ROHS COMPLIANT PER EU DIRECTIVE 2002/95/EC AND AMENDMENTS.

UNLESS OTHERWISE SPECIFIED DIMENSIONS ARE IN MILLIMETER TOLERANCES ARE:  DECIMALS                      ANGLES .XX ±.10                        ± 1° .X    ±.25	APPROVALS	DATE	<b>Amphenol Canada Corp.</b>		
	DRAWN S.SEMENOV	APR28/06			
MATERIAL AND FINISH	DESIGNED S.SEMENOV	APR28/06	TITLE MUSB CONNECTOR, TYPE B, SINGLE, WITH CABLE HEADER		
	CHECKED				
REF.	QA APP'D		SIZE C	DWG. NO. P-MUSB-D211-3X	REV. 4
	DWG APP'D K.BOUTROS	APR28/06	SCALE 3:1	PROJECT MUSB	SHEET 1 OF 3
CODE IDENT. NO.					

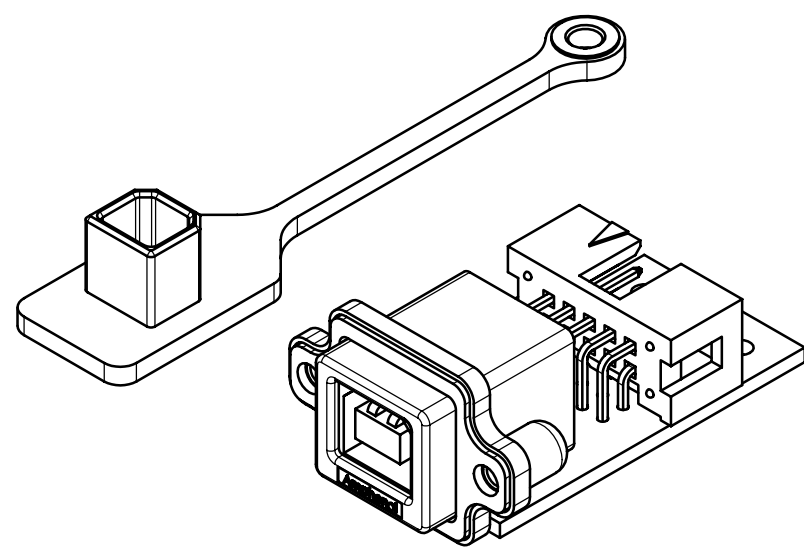


**MUSB TO CABLE HEADER PIN ASSIGNMENT**

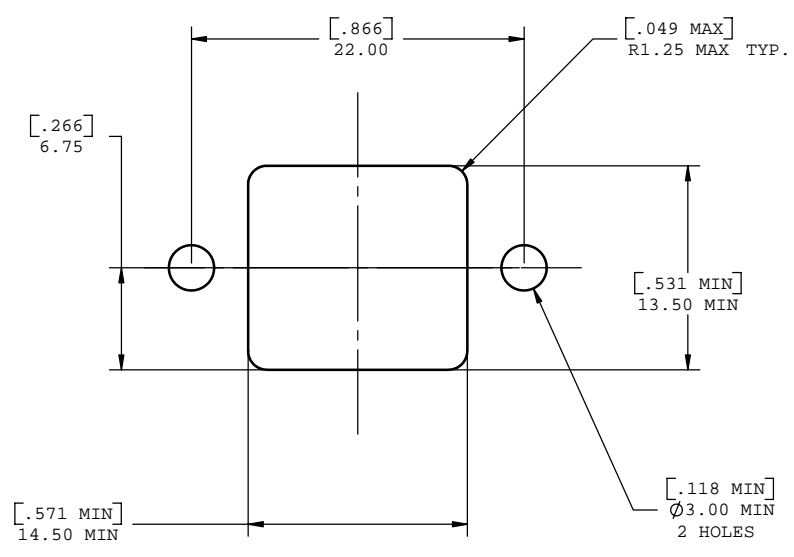
USB CONNECTOR CONTACTS	CABLE HEADER CONTACTS
CONNECTOR SHELL	5
1	2
2	1
3	3
4	4



UNLESS OTHERWISE SPECIFIED DIMENSIONS ARE IN MILLIMETER TOLERANCES ARE:		APPROVALS	DATE	<b>Amphenol Canada Corp.</b>	
DECIMALS .XX ±.10 .X ±.25		DRAWN S.SEMENOV	APR28/06		
ANGLES ± 1°		DESIGNED S.SEMENOV	APR28/06	TITLE MUSB CONNECTOR, TYPE B, SINGLE, WITH CABLE HEADER	
MATERIAL AND FINISH		CHECKED			
REF.		QA APP'D		SIZE C	DWG. NO. P-MUSB-D211-3X
CODE IDENT. NO.		IE APP'D		SCALE 1:0.333333	PROJECT MUSB
		DWG APP'D K.BOUTROS	APR28/06		REV. 4
					SHEET 2 OF 3



**MUSB-D211-31**



**RECOMMENDED PANEL CUTOUT**



DO NOT SCALE DRAWING  
 THIS DOCUMENT CONTAINS PROPRIETARY INFORMATION AND SUCH INFORMATION MAY NOT BE DISCLOSED TO OTHERS FOR ANY PURPOSE  
 OR USED FOR MANUFACTURING PURPOSES WITHOUT PERMISSION FROM AMPHENOL CANADA CORP.

<b>MUSB CONNECTOR</b>	
<b>PRODUCT NUMBERING SYSTEM</b>	
<b>MUSB - X1 X2 X3 X4 - X5 X6</b>	
<b>MUSB</b>	- <b>Connector designation</b>
<b>X1</b>	- <b>Style</b>
A	- Receptacle type A, single
B	- Receptacle type B, mini
C	- Receptacle type A, stacked (double)
D	- Receptacle type B, single
E	- Receptacle type AB, mini
<b>X2</b>	- <b>Termination</b>
1	- Right angle, PCB mount
2	- Right angle, PCB mount, with cable header
3	- Right angle, PCB mount, with USB termination
4	- Right angle, PCB mount, with terminal block
5	- Vertical, PCB mount
<b>X3</b>	- <b>Number of contacts</b>
1	- Standard 4 per port
2	- Standard 4 per port + grounding contact
5	- Standard 5 per port
6	- Standard 5 per port + grounding contact
<b>X4</b>	- <b>Color</b>
1	- Standard black
<b>X5</b>	- <b>Shield option</b>
0	- No rear shield
3	- With rear shield
<b>X6</b>	- <b>Specials</b>
0	- Standard
1	- With dust cover
2	- With cable 12-18" length
3	- Long tail contact
C	- EMI filter

UNLESS OTHERWISE SPECIFIED DIMENSIONS ARE IN MILLIMETER TOLERANCES ARE:		APPROVALS		DATE		<b>Amphenol Canada Corp.</b>	
DECIMALS .XX ±.10 .X ±.25		DRAWN S.SEMENOV		APR28/06			
ANGLES ± 1°		DESIGNED S.SEMENOV		APR28/06		TITLE MUSB CONNECTOR, TYPE B, SINGLE, WITH CABLE HEADER	
MATERIAL AND FINISH		CHECKED					
REF.		QA APP'D				SIZE C	
CODE IDENT. NO.		IE APP'D				DWG. NO. P-MUSB-D211-3X	
		DWG APP'D K.BOUTROS		APR28/06		SCALE 1:0.2	
						PROJECT MUSB	
						SHEET 3 OF 3	
						REV. 4	