

D-SUB contact support - VS-09-ST-DSUB-2P - 1688418

Please be informed that the data shown in this PDF Document is generated from our Online Catalog. Please find the complete data in the user's documentation. Our General Terms of Use for Downloads are valid (<http://phoenixcontact.com/download>)

D-SUB contact carrier, shell size 1, accommodation for two combined contacts, contact type pin, straight, fixing with a 3 mm hole, for panel mounting frame and sleeve housing VS-09-...



Key commercial data

Packing unit	1 pc
Weight per Piece (excluding packing)	4.34 GRM
Custom tariff number	85366990
Country of origin	Germany

Technical data

Mechanical characteristics

Number of positions	2
Insertion/withdrawal cycles	≥ 500
Connection method	Fitting to accept combined contact

Ambient conditions

Ambient temperature (operation)	-55 °C ... 125 °C
---------------------------------	-------------------

Material data

Inflammability class according to UL 94	V0
Housing material	Steel, yellow chromated
Contact carrier material	PBTP
Contact surface material	Gold over nickel

Classifications

eCl@ss

eCl@ss 4.0	27140816
------------	----------

D-SUB contact support - VS-09-ST-DSUB-2P - 1688418

Classifications

eCl@ss

eCl@ss 4.1	27260701
eCl@ss 5.0	27260701
eCl@ss 5.1	27260701
eCl@ss 6.0	27261203
eCl@ss 7.0	27440202
eCl@ss 8.0	27440202

ETIM

ETIM 2.0	EC000437
ETIM 3.0	EC000437
ETIM 4.0	EC000437
ETIM 5.0	EC000437

UNSPSC

UNSPSC 6.01	31261501
UNSPSC 7.0901	31261501
UNSPSC 11	31261501
UNSPSC 12.01	31261501
UNSPSC 13.2	31261501

Approvals

Approvals

Approvals

GOST

Ex Approvals

Approvals submitted

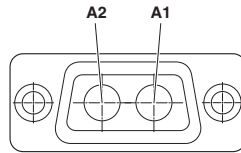
Approval details

GOST 
--

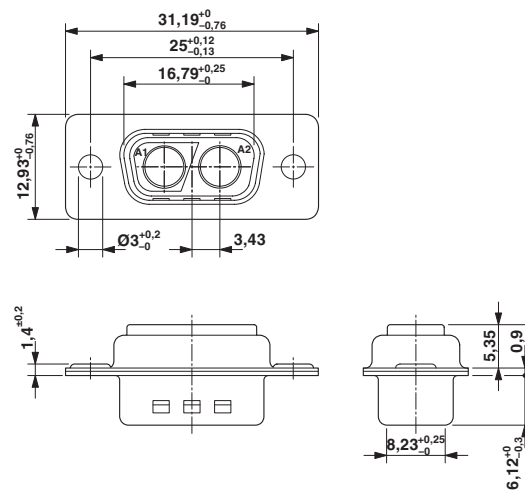
D-SUB contact support - VS-09-ST-DSUB-2P - 1688418

Drawings

Schematic diagram



Dimensioned drawing



D-SUB contact carrier