

4100N Series

Tubeaxial

119x119x38mm



- DC fans with electronically commutated external rotor motor. Fully integrated commutation electronics.

- With electronic protection against reverse polarity, blocking and overloading by PTC resistor; partially impedance protected.

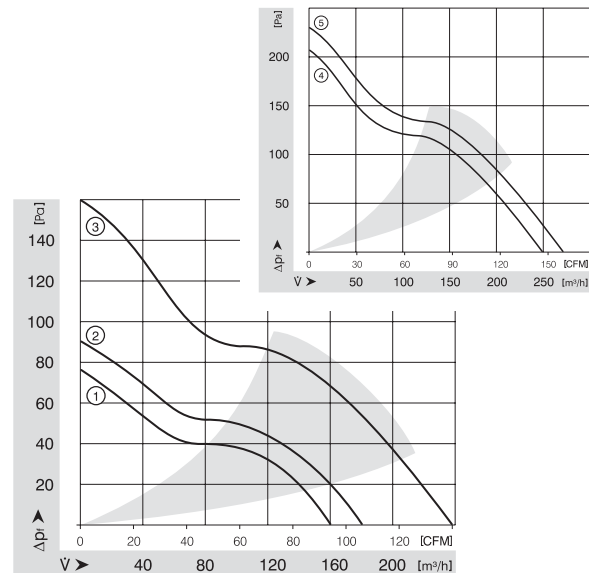
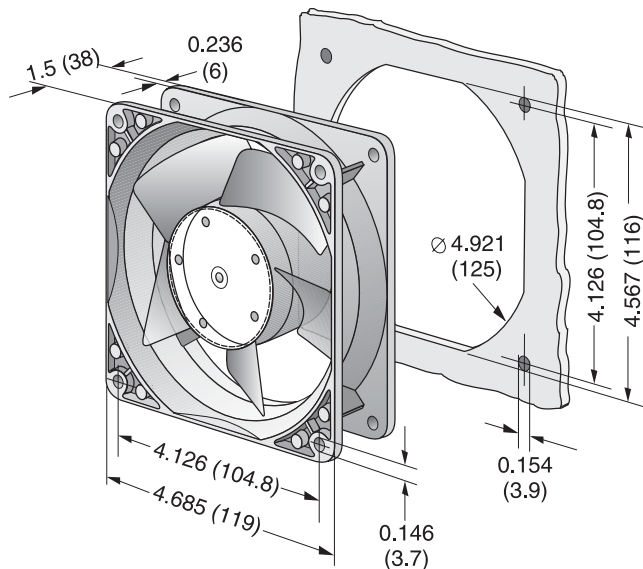
- Air intake over struts. Rotational direction CW looking at rotor.

- Metal fan housing. Impeller of fiberglass reinforced plastic PA. Housing with ground lug for screw M4 for M4 x 8 screws.

- Electrical connection via 2 flat pins 2.8 x 0.5 mm.

- UL, CSA, VDE approvals on most models, please contact application engineering.

Part Number	Curve	CFM @ 0	VDC	Volt. Range	Power (W)	dBA	Max Amb. Temp C	Bearing Type	Features	Wgt. (lbs)
4182NGX	1	94.2	12	7 to 15	3.5	44	75	Sintec	Terminals	0.86
4182NX	2	105.9	12	7 to 15	4.5	49	75	Ball	Terminals	0.86
4182NXH	2	139.5	12	7 to 15	11	59	55	Ball	Terminals	0.86
4184NGX	1	94.2	24	12 to 30	3.5	44	75	Sintec	Terminals	0.86
4184NX	2	105.9	24	12 to 29	4.5	49	75	Ball	Terminals	0.86
4114NXH	3	139.5	24	12 to 25	11	59	55	Ball	Leads	0.86
4184NH	3	139.5	24	12 to 25	11	59	55	Ball	Terminals	0.86
4184NXH	3	139.5	24	12 to 25	11	59	55	Ball	Terminals	0.86
4184NXHH	4	147.1	24	12 to 25	12.2	60	55	Ball	Terminals	0.86
4188NXM	1	94.2	48	36 to 56	3.5	44	75	Ball	Terminals	0.86
Programmable VarioFan										
4112NHH	5	158.9	12	11 to 13	15.5	64	50	Ball	Leads	0.86
4112N/2HHAR-00189	5	158.9	12	11 to 13	15	64	50	Ball	Leads	0.86
4114NHH	5	158.9	24	18 to 26.4	15.5	64	60	Ball	Leads	0.86
4118NHH	5	158.9	48	44 to 52	15.5	64	55	Ball	Leads	0.86
4118N/2HH-00187	5	158.9	48	44 to 52	14.7	64	50	Ball	Leads	0.86



ebmpapst

e-mail: sales@us.ebmpapst.com - TEL: 860-674-1515 - FAX: 860-674-8536

ebm-papst Inc., 100 Hyde Road, Farmington, CT 06034 USA

ebm-papst Inc., 2004 © ebm-papst Inc. reserves the right to change any specifications or data without notice