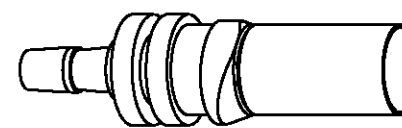


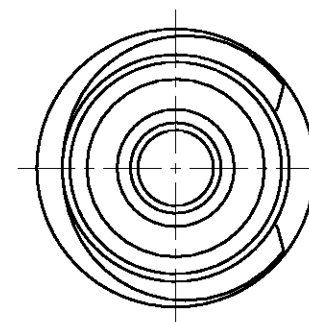
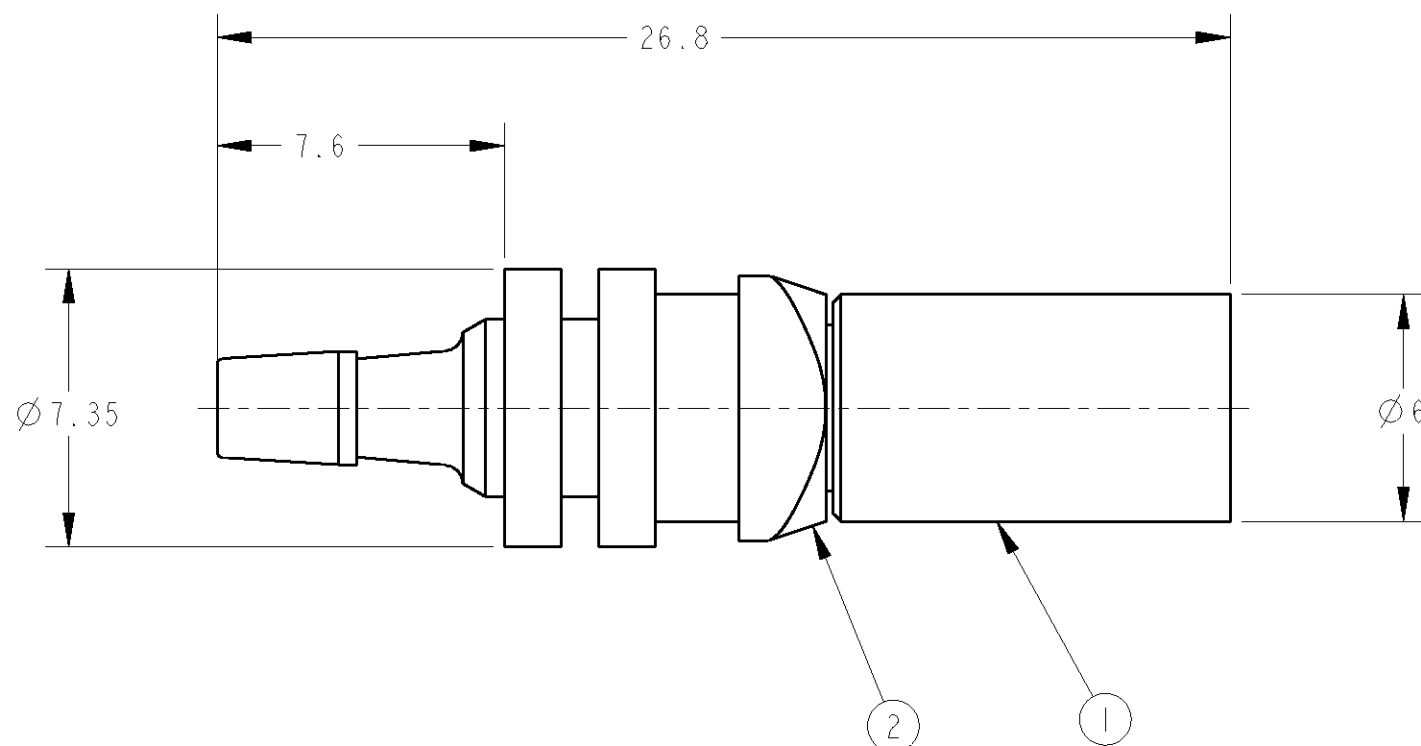
THIS DRAWING IS UNPUBLISHED. RELEASED FOR PUBLICATION 20
 © COPYRIGHT 20 BY TYCO ELECTRONICS CORPORATION. ALL RIGHTS RESERVED.

LOC	DIST	REVISIONS			
P	LTR	DESCRIPTION	DATE	DWN	APVD
J	-	A	RELEASED	10NOV2006	T.S D.M

AS SHOWN:1903289-1



スケール 2:1



注記

- 1. 適合チューブφ4(外径φ4、内径φ2.5)
- 2. 使用流体:空気
- 3. 最高使用圧力:0.8MPa

NOTE

- 1. Applicable TUBEφ4(OutsideDiameterφ4, InsideDiameterφ2.5)
- 2. Use Fluid:Air
- 3. Max Pressure:0.8MPa

1	ポリエステル樹脂 POLYESTER RESIN	プラスチックリング PLASTIC RING	2
1	ポリアセタール樹脂 POM	メスコンタクト FEMALE CONTACT	1
-1	材質 仕上げ MATERIAL FINISH	名称 NAME	ITEM NO

DIMENSIONS:		TOLERANCES UNLESS OTHERWISE SPECIFIED:		DWN		Tyco Electronics	
mm		0 PLC	±	±0.3	T.Sakamoto	Tyco Electronics AMP K.K.	
		1 PLC	±	±1°	CHK D.Mitsugi	Kawasaki, Japan	
		2 PLC	±	±	APVD D.Mitsugi	NAME	
		3 PLC	±	±	PRODUCT SPEC	メスコンタクト(DIA4チューブ) FEMALE CONTACT ASSY(DIA4TUBE) PNEUMATIC CONNECTOR	
		4 PLC	±	±	108-78406	SIZE CAGE CODE DRAWING NO	
MATERIAL		FINISH		APPLICATION SPEC		RESTRICTED TO	
-		-		-		-	
				WEIGHT		SCALE SHEET OF REV	
				-		5:1 1 OF 1 A	
CUSTOMER DRAWING						A3 00779 C=1903289	