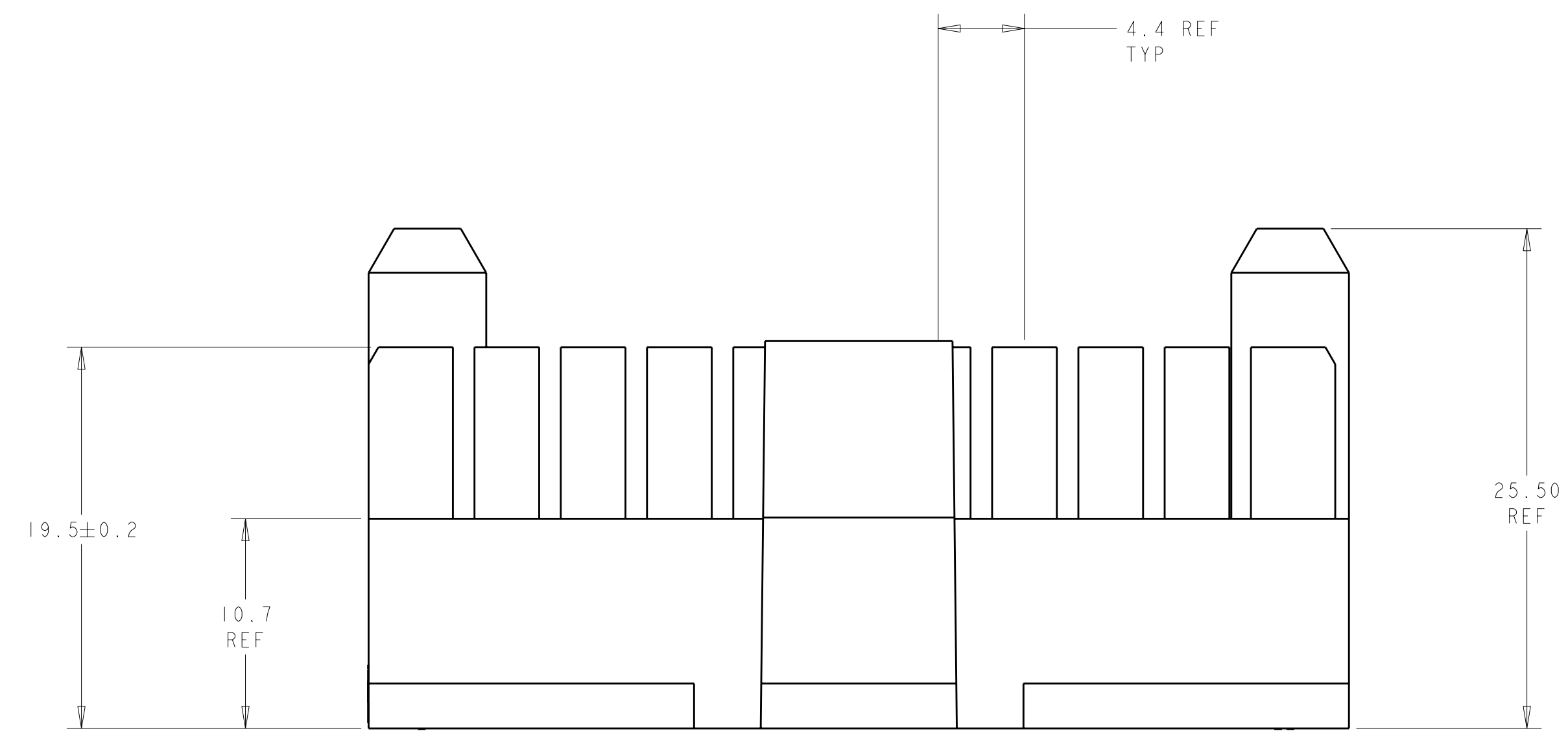
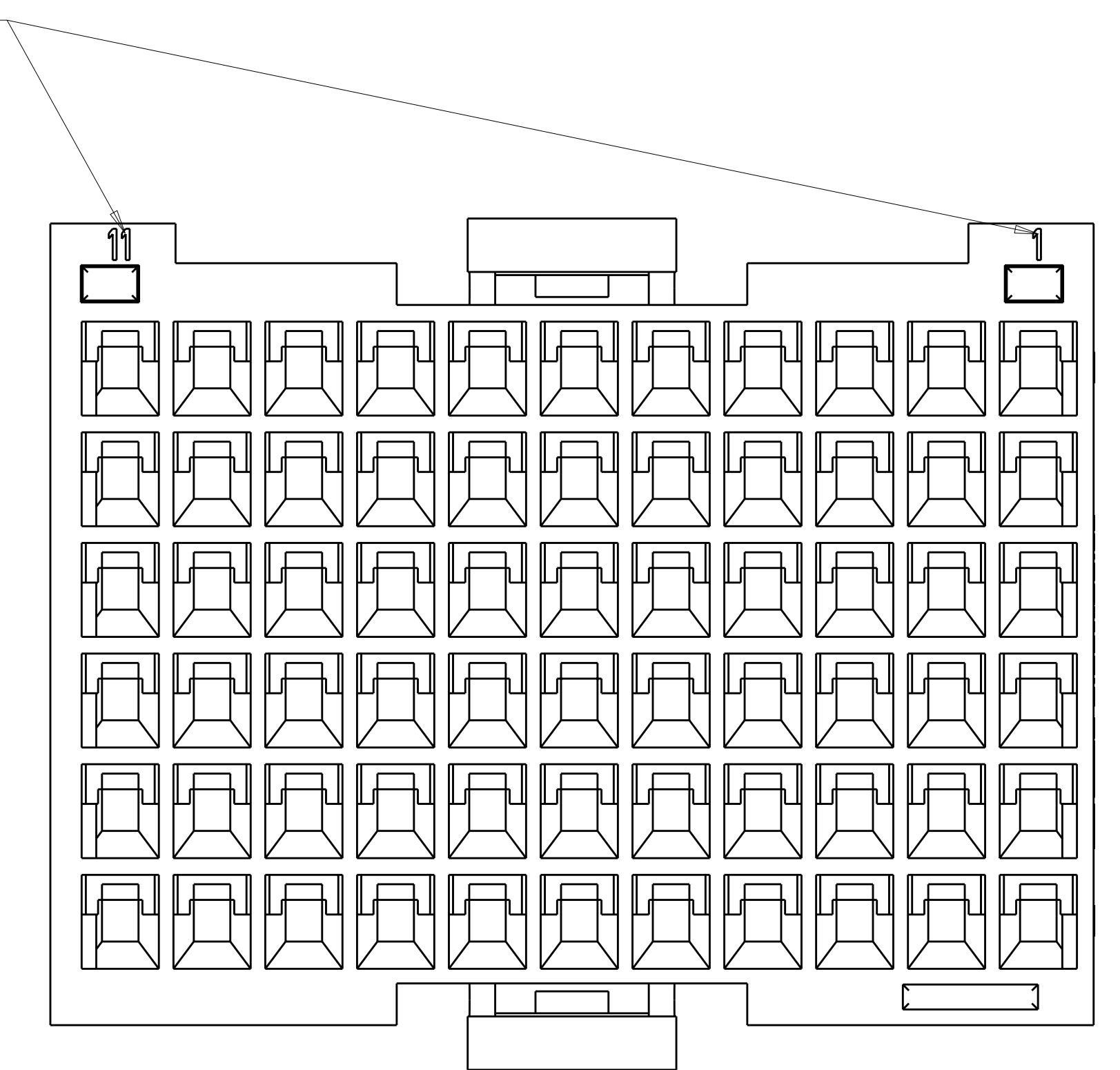
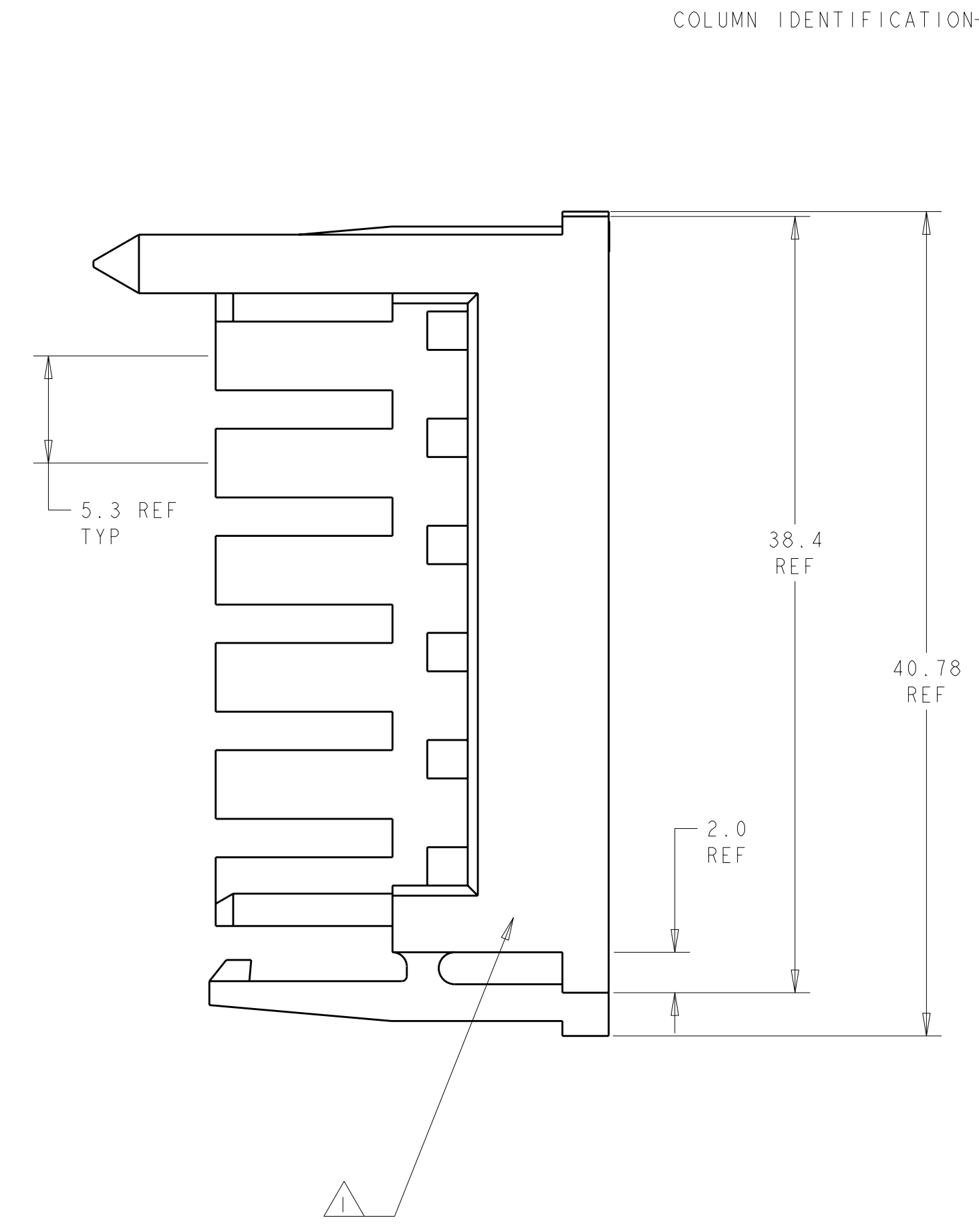
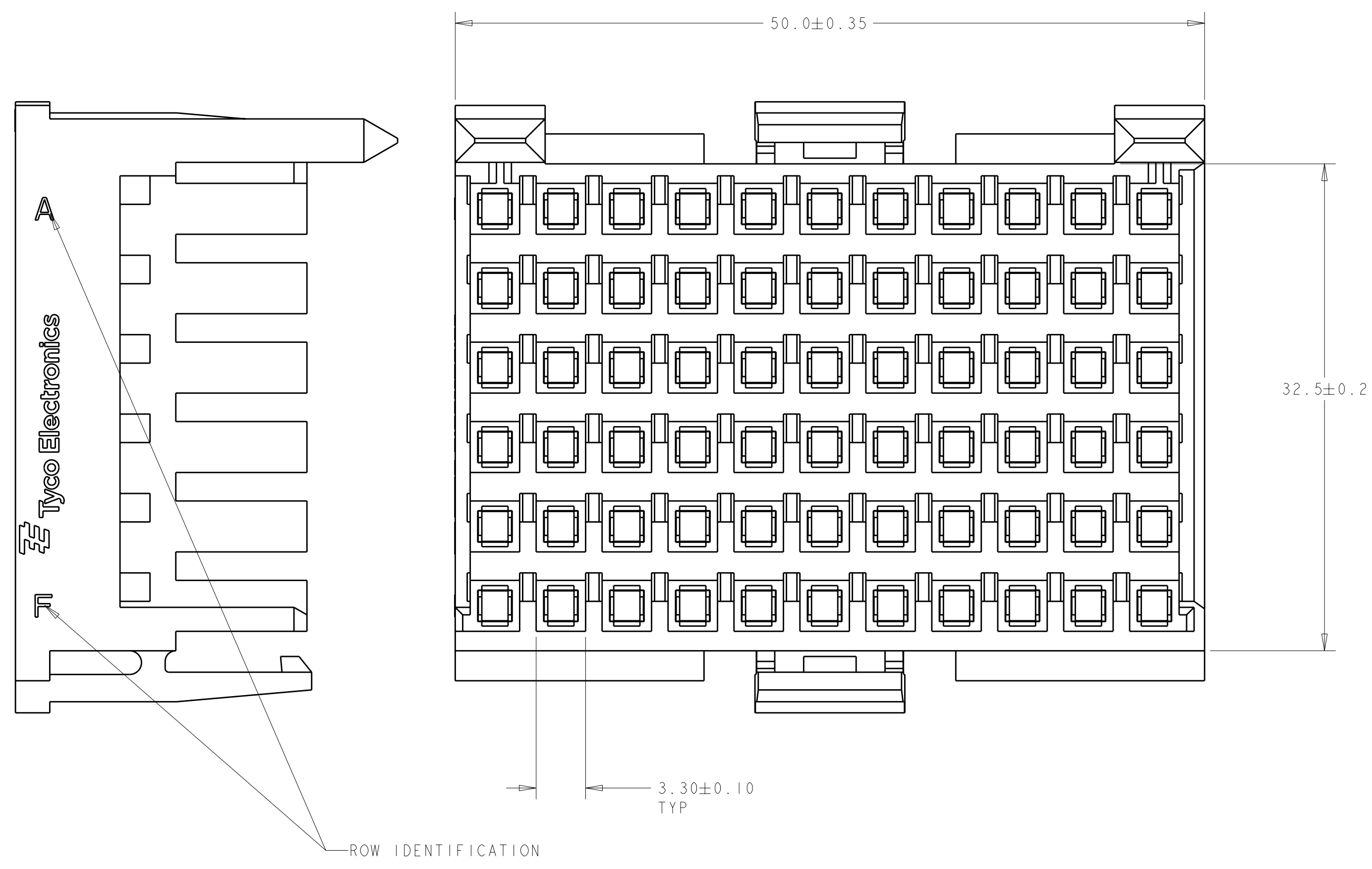


LOC	DIST	REVISIONS			
AD	00	REV	DATE	BY	APPD
		A	RELEASED PER ECO-07-017382	01AUG2007	WS AF



**CONFIDENTIAL**

**THIS PRODUCT HAS NOT COMPLETED VALIDATION TESTING**

1934145-1  
PART NUMBER

<small>THIS DRAWING IS UNPUBLISHED. RELEASED FOR PUBLICATION BY TYCO ELECTRONICS CORPORATION, ALL RIGHTS RESERVED.</small> <small>THIS DRAWING IS UNPUBLISHED. RELEASED FOR PUBLICATION BY TYCO ELECTRONICS CORPORATION, ALL RIGHTS RESERVED.</small>		DWN: C. RITZER 01FEB2006 CHK: R. WHITEMAN 01FEB2006	Tyco Electronics Harrisburg, PA 17105-3608
DIMENSIONS: mm 		TOLERANCES UNLESS OTHERWISE SPECIFIED: 0 PLC ± 1 PLC ± 2 PLC ± 3 PLC ± 4 PLC ± ANGLES ±	NAME: 66 POSITION RECEPTACLE HOUSING AMP-DUAC UPC PRODUCT SPEC: 108-2248 APPLICATION SPEC: 114-13195 WEIGHT: - CUSTOMER DRAWING
MATERIAL: - FINISH: -		SIZE: A   00779   C=1934145 SCALE: 4:1   SHEET: 1   OF: 1   REV: A	RESTRICTED TO: -