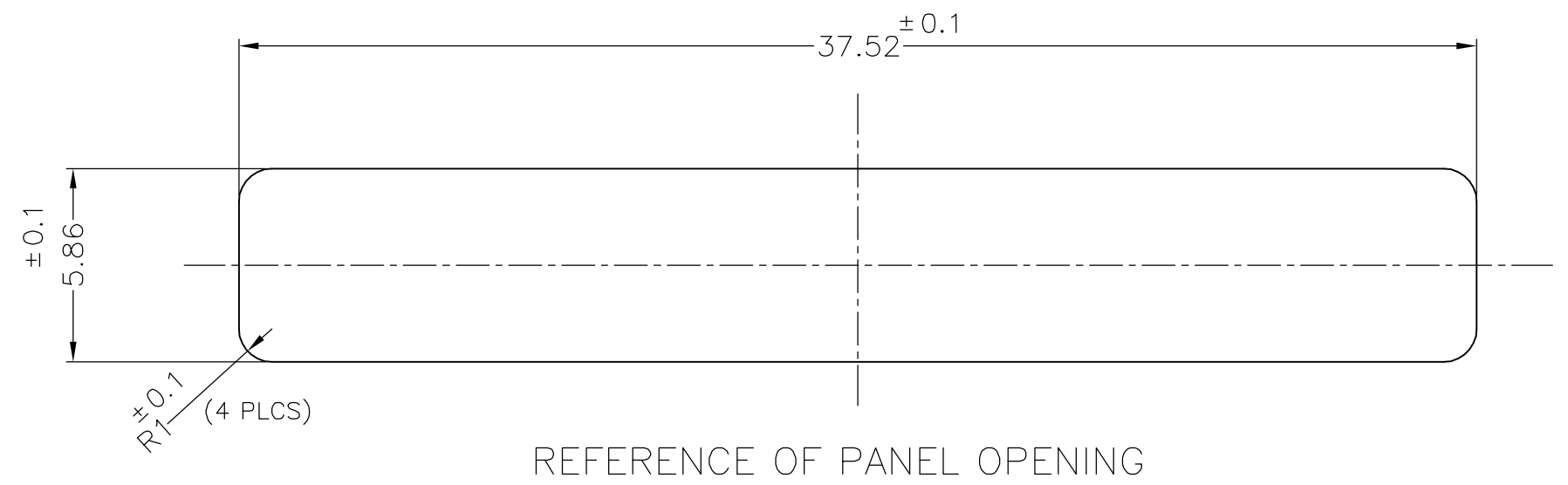
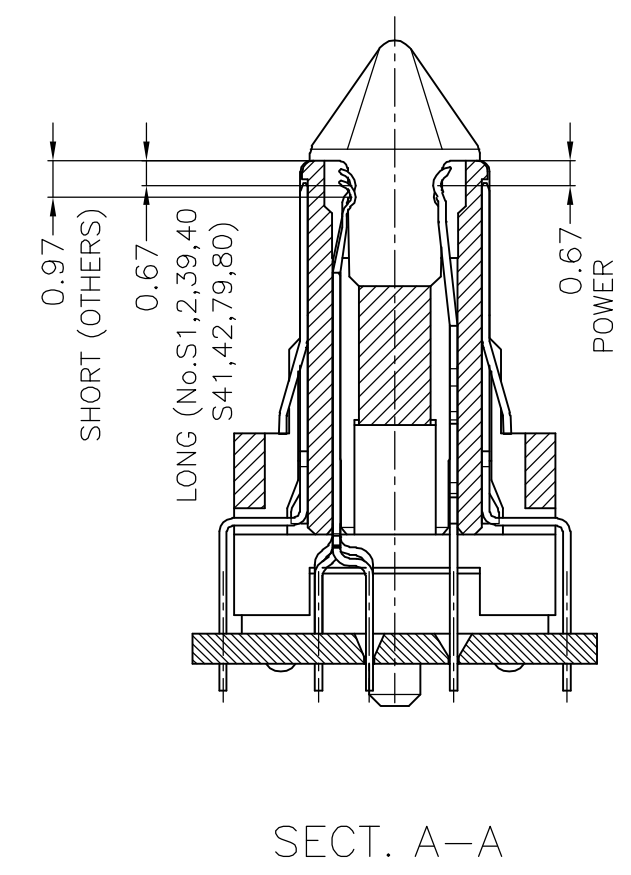
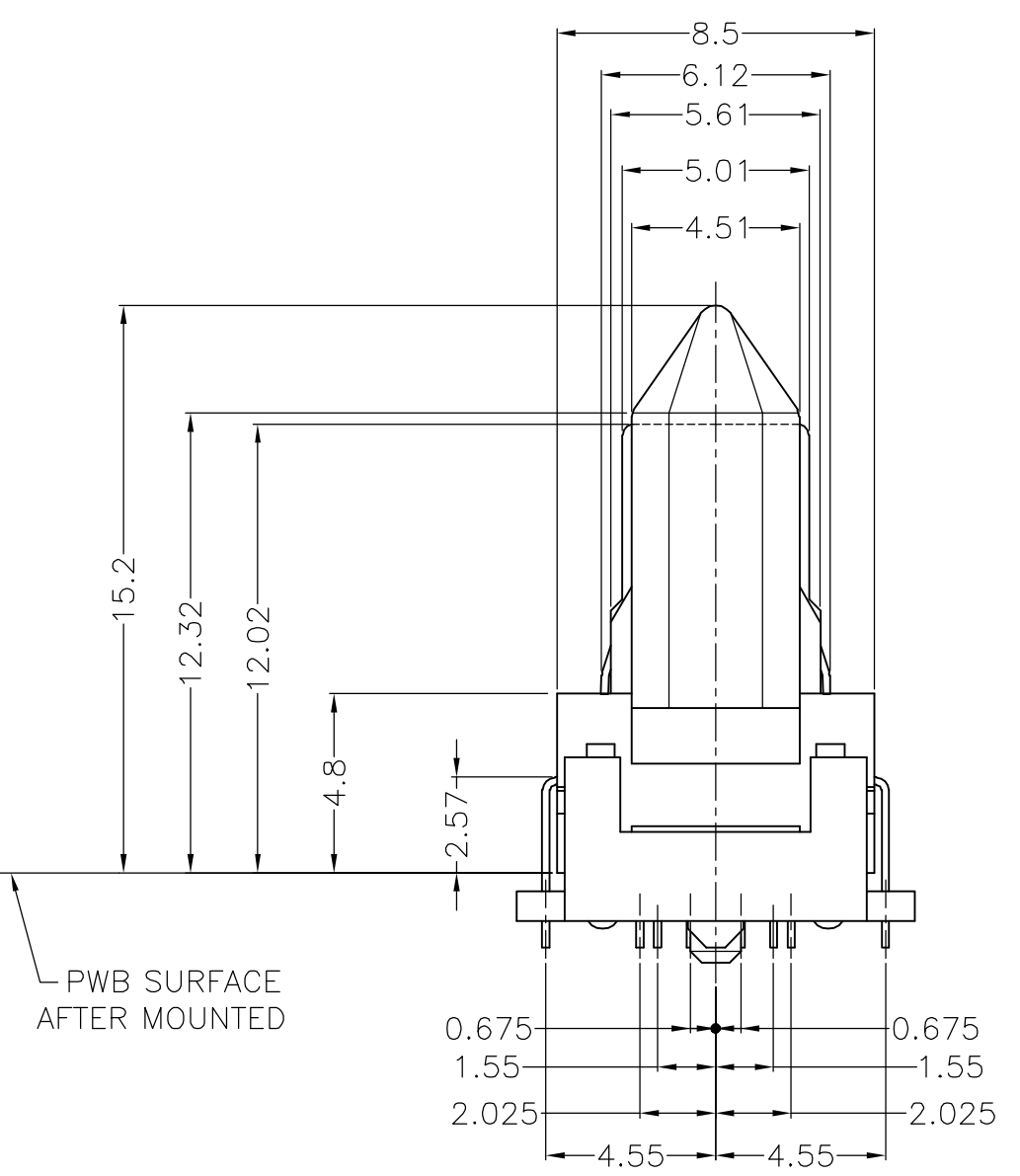
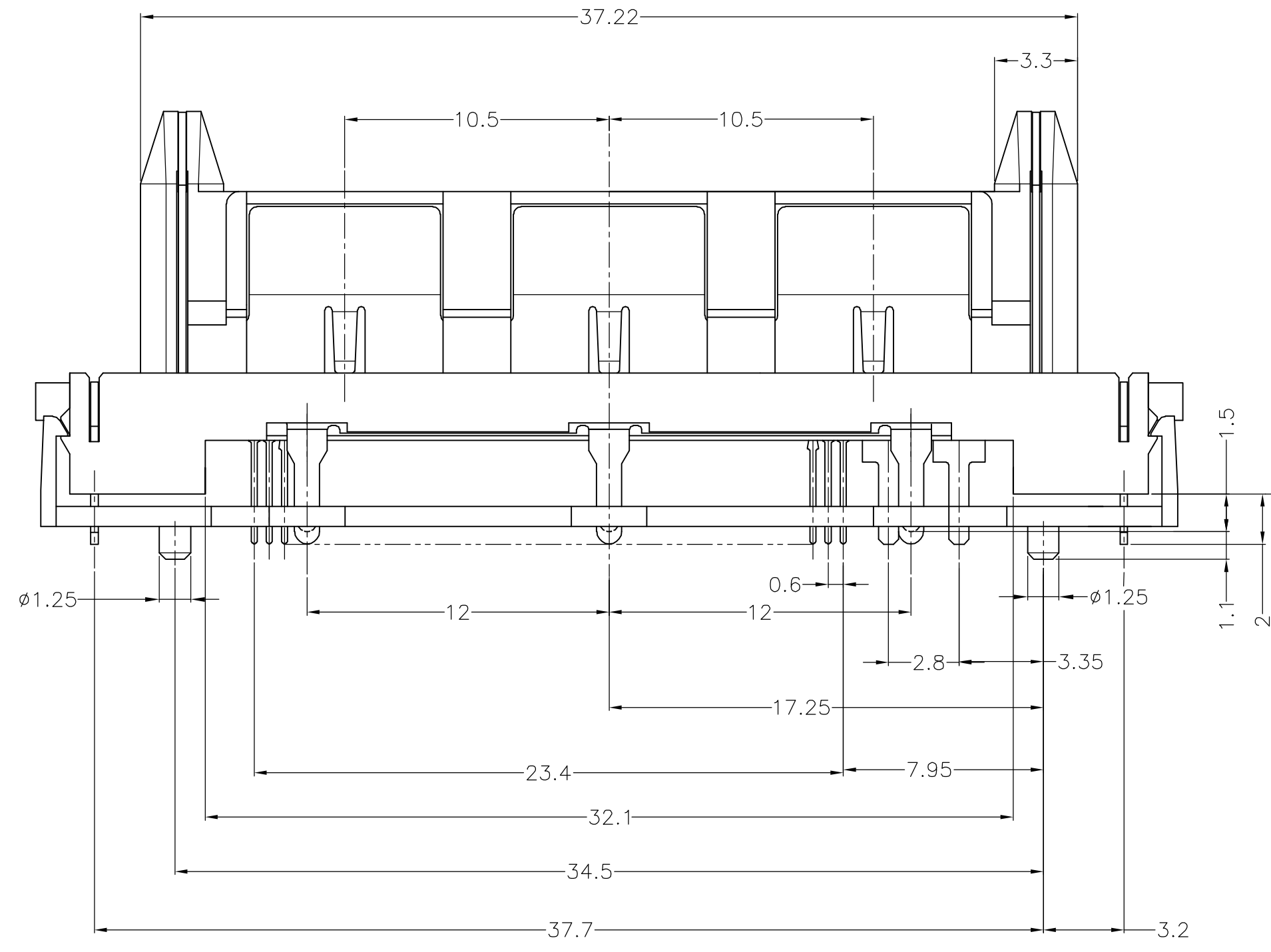
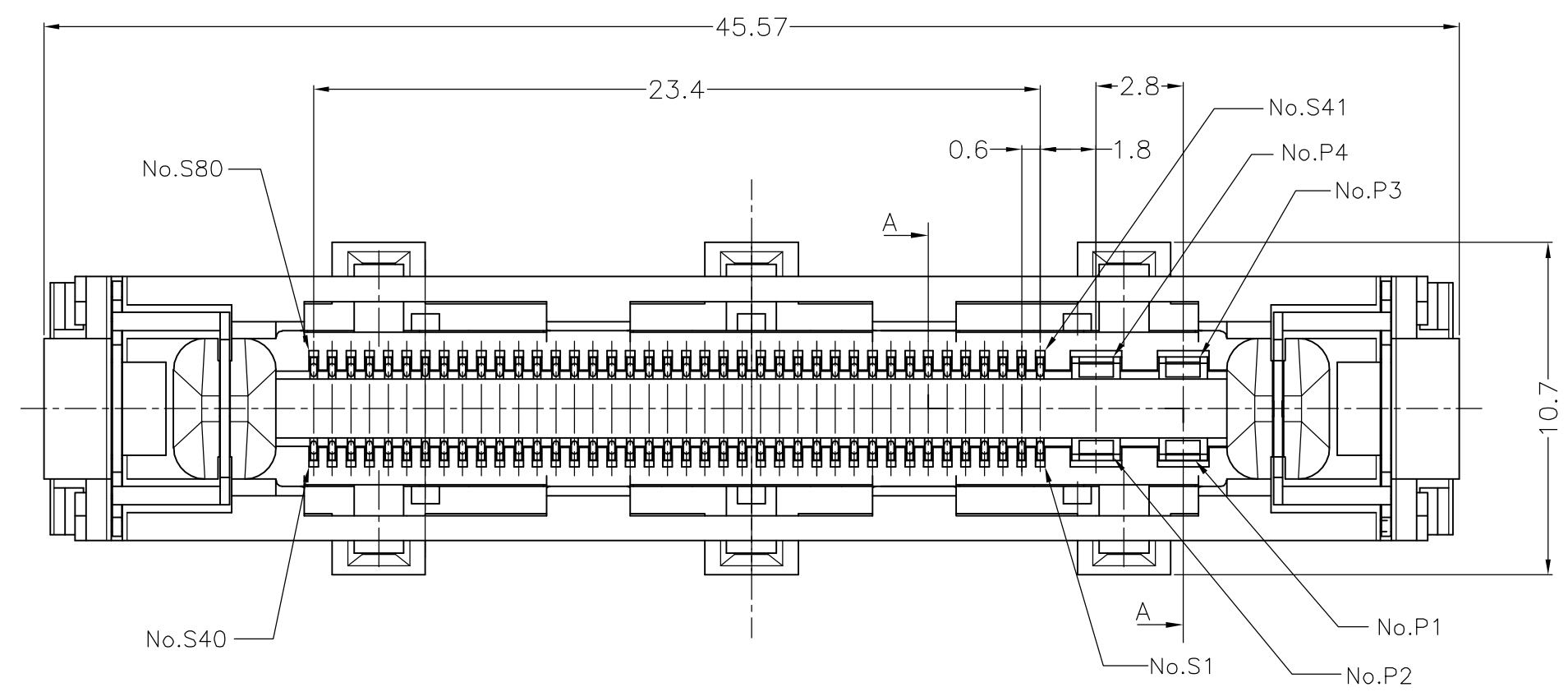


THIS DRAWING IS UNPUBLISHED. RELEASED FOR PUBLICATION
 © COPYRIGHT BY TYCO ELECTRONICS CORPORATION. ALL RIGHTS RESERVED.

LOC	DIST	REVISONS					
J	-	P	LTR	DESCRIPTION	DATE	DWN	APVD
		A		REVISED FJB0-0894-04	27AUG04	N.S	Y.Y

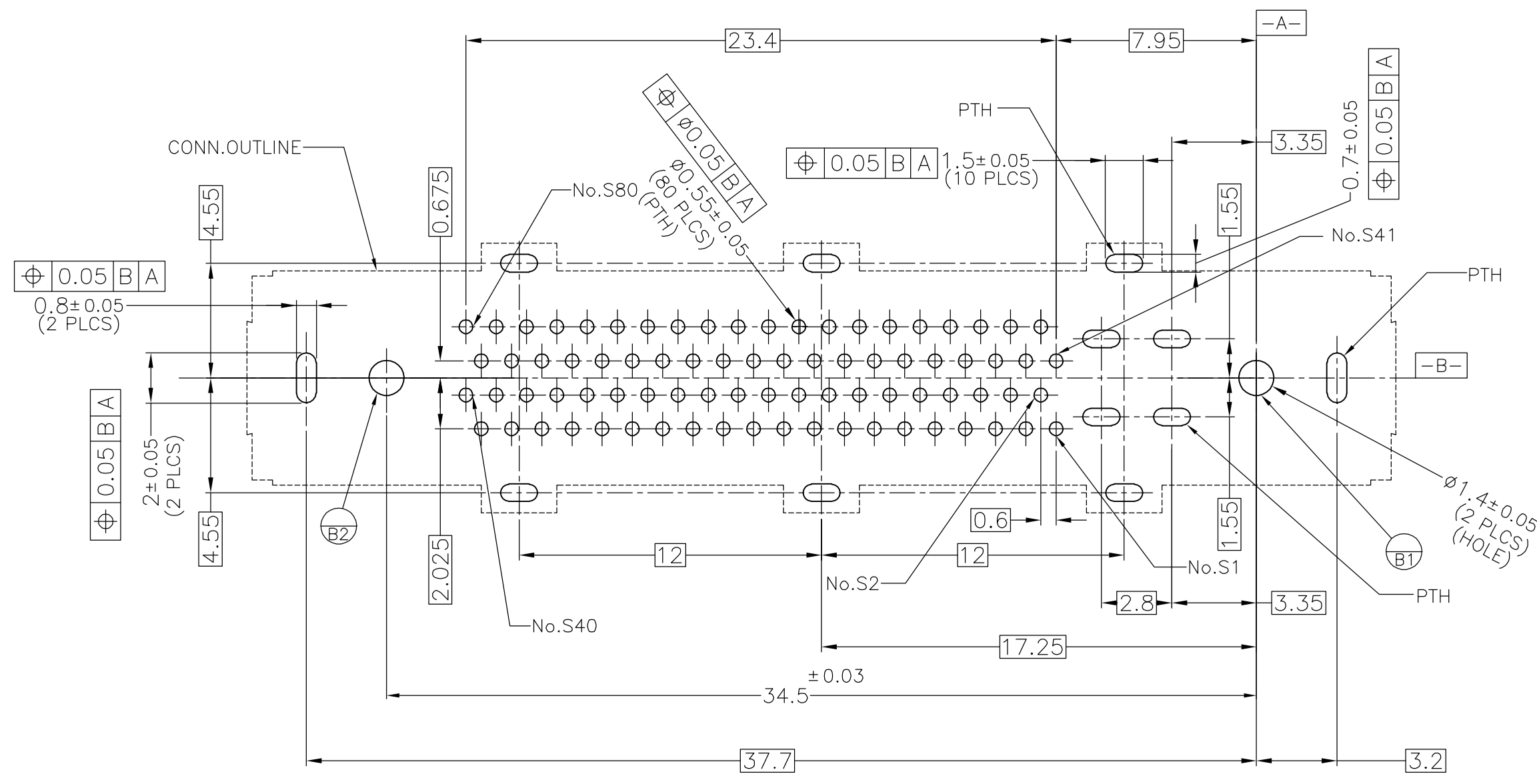
-1,-2 ; AS SHOWN



THIS DRAWING IS A CONTROLLED DOCUMENT.		DWN	N.SASAME	22OCT2002		Tyco Electronics AMP K.K.	
DIMENSIONS: 单位: 毫米		CHK	H.SHIRAI	22OCT2002		Kawasaki, Japan	
TOLERANCES UNLESS OTHERWISE SPECIFIED: 一般公差		APVD	Y.YAMAMOTO	22OCT2002	NAME 0.6 DOCKING CONNECTOR		
0-PLC ± 10 ≥ : ± 0.2		PRODUCT SPEC		REC 80P + POWER 4P			
1-PLC ± 30 ≥ > 10: ± 0.25		APPLICATION SPEC		DRAWING NO. 1674147			
2-PLC ± 100 ≥ > 30: ± 0.3		FINISH 仕上		RESTRICTED TO			
3-PLC ± 3'		MATERIAL 材料		SCALE 5:1 SHEET 1 OF 3 REV A			
4-PLC ± 3'		WEIGHT -		CAGE CODE 00779			
ANGLES ± 3'		CUSTOMER DRAWING		DRAWING NO. 1674147			

THIS DRAWING IS UNPUBLISHED. RELEASED FOR PUBLICATION
 © COPYRIGHT BY TYCO ELECTRONICS CORPORATION. ALL RIGHTS RESERVED.

LOC	DIST	REVISIONS				
		P	LTR	DATE	DWN	APVD
J	-	-	-	SEE SHEET 1	-	-



注記
△材質
 ハウジング : 熱可塑性樹脂 UL94V-0, 黒
 シグナルコンタクト : 銅合金
 パワーコンタクト : 銅合金
 グランドプレート, ESDコンタクト : 銅合金
 タイムプレート : 熱可塑性樹脂 UL94V-0, 黒
△仕上げ
 シグナルコンタクト & パワーコンタクト :
 ニッケル下地接点部金めっき、はんだ付け部はんだめっき
 グランドプレート : 1674147-1 ----> すずめっき (リフロー)
 1674147-2 ----> 半田めっき
 ESDコンタクト : はんだめっき
 3 適用基板厚 : 1.2±0.1mm
 4 かん合相手型番 : 1674154-1, 1674154-2
 5 トレイ 材質 ; PS 色 ; NATURAL
 6 トレイの寸法とコネクタの方向は本図を参照のこと
 7 一般公差 : ±0.3 ±3°
 8 数量 : 55EA/TRAY

NOTE
△1 MATERIAL
 HOUSING, TIME PLATE : THERMOPLASTIC, UL94V-0, BLACK
 SIGNAL CONTACT : COPPER ALLOY
 POWER CONTACT : COPPER ALLOY
 GROUND PLATE, ESD CONTACT : COPPER ALLOY
△2 FINISH
 SIGNAL CONTACT & POWER CONTACT:
 Au Pl. ON CONTACT AREA
 Sn-Pb Pl. ON SOLDER AREA
 Ni UNDER Pl. ALL OVER
 GROUND PLATE:
 1674147-1 ----> Sn Pl. (REFLOW)
 1674147-2 ----> Sn-Pb Pl. (REFLOW)
 ESD CONTACT : Sn-Pb Pl. ALL OVER
 3 APPLICABLE THICKNESS OF P.C.BOARD : 1.2±0.1mm
 4 CONNECTOR TO BE MATED : 1674154-1
 5 TRAY MATERIAL ; PS COLOR ; NATURAL
 6 THE DIRECTION OF EACH CONNECTOR ON A TRAY IS REFERRED TO THIS DRAWING.
 7 GENERAL TOLERANCE : ±0.3 ±3°
 8 QUANTITY : 55EA/TRAY

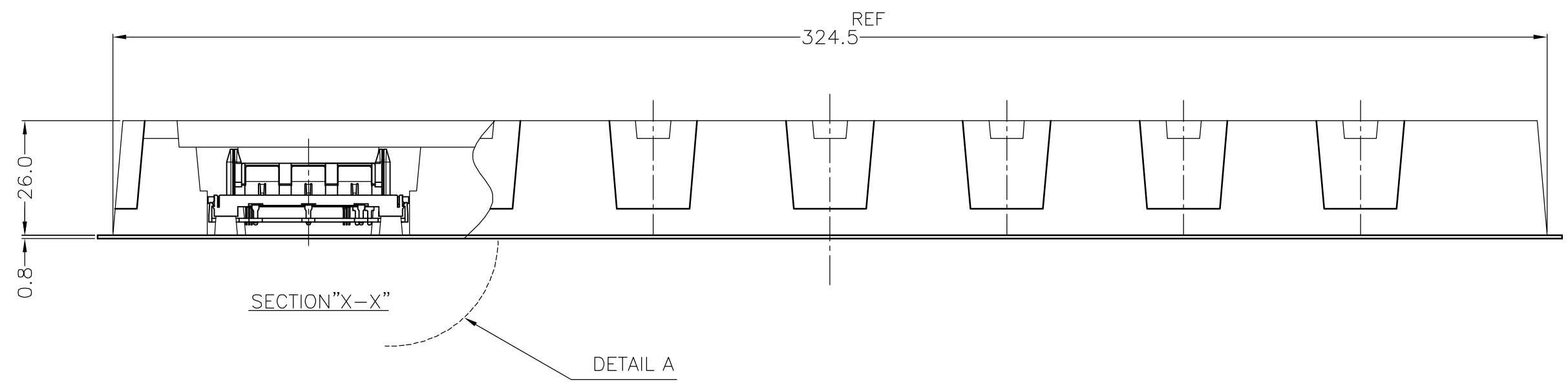
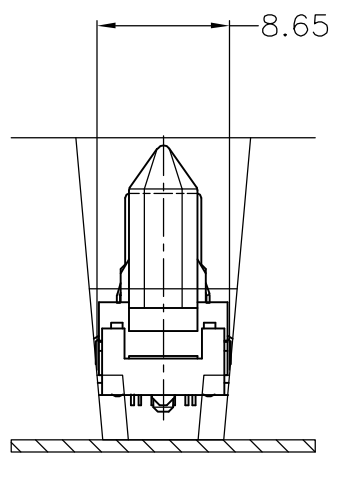
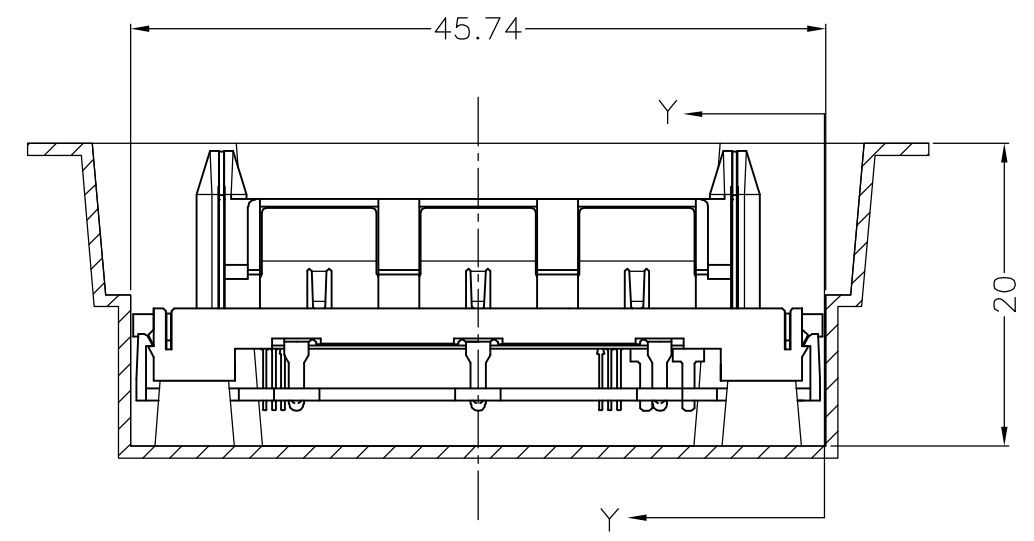
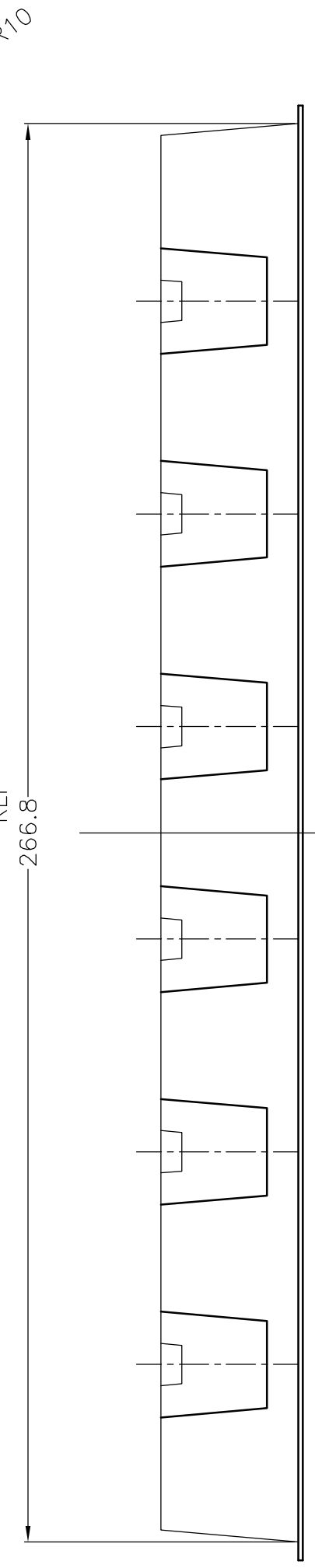
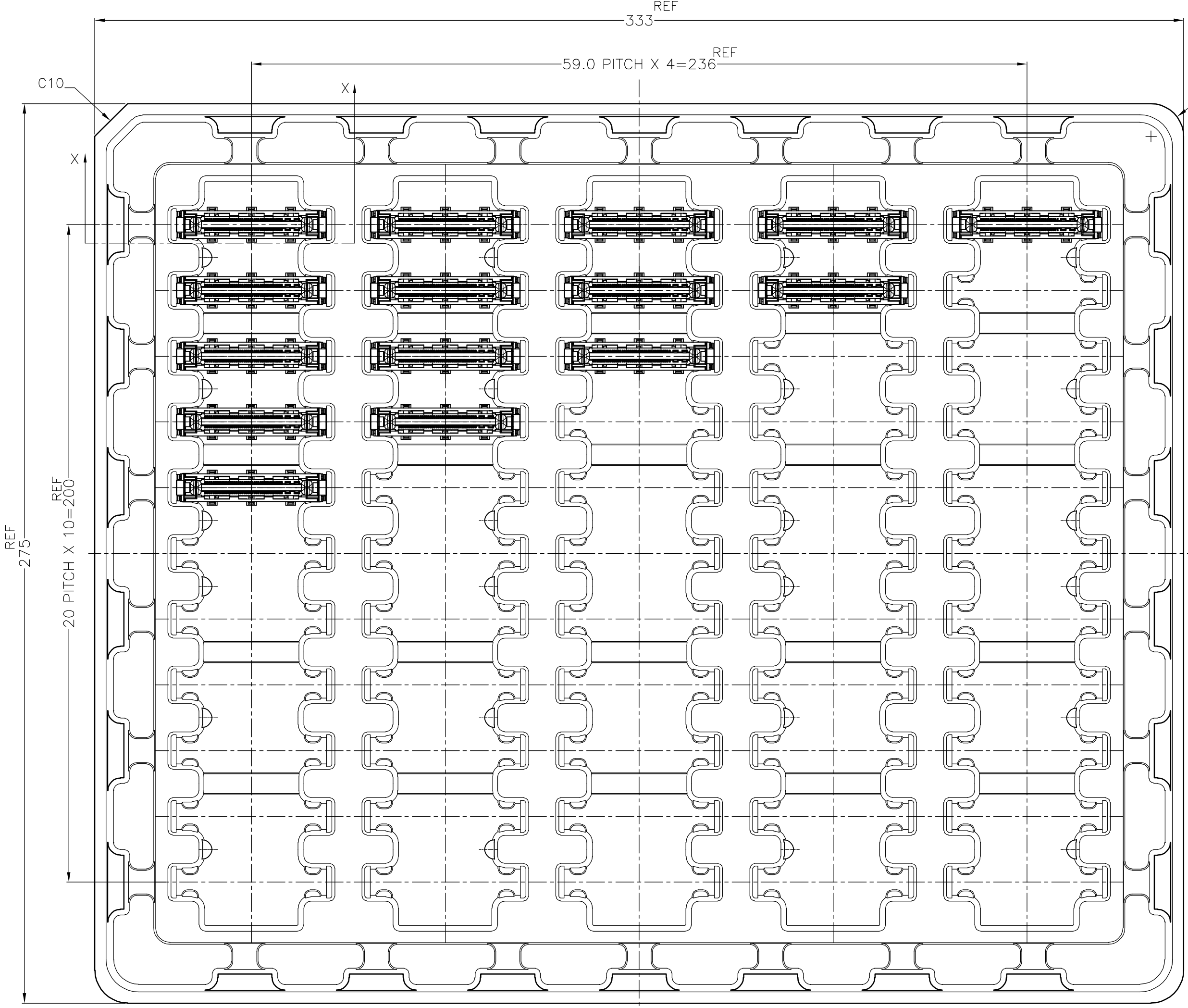
REC RECOMMENDED P.C. BOARD LAYOUT
 (REFERENCE)

THIS DRAWING IS A CONTROLLED DOCUMENT.		DWN	tyco Tyco Electronics AMP K.K.	
		CHK	Kawasaki, Japan	
DIMENSIONS: 単位: 耗 MM		APVD	NAME 名称	
TOLERANCES UNLESS OTHERWISE SPECIFIED: 一般公差		PRODUCT SPEC	0.6 DOCKING CONNECTOR	
0 PLC ± -		APPLICATION SPEC	REC 80P + POWER 4P	
1 PLC ± -		WEIGHT	SIZE	CAGE CODE
2 PLC ± -			A2	00779
3 PLC ± -			DRAWING NO	RESTRICTED TO
4 PLC ± -			番号	-
ANGLES ± -		SCALE 5:1 SHEET 2 OF 3 REV A		
FINISH 仕上		CUSTOMER DRAWING		

THIS DRAWING IS UNPUBLISHED. RELEASED FOR PUBLICATION
 © COPYRIGHT BY TYCO ELECTRONICS CORPORATION. ALL RIGHTS RESERVED.

LOC		DIST		REVISIONS			
P	LTR	DESCRIPTION	DATE	DWN	APVD		
-	-	SEE SHEET 1	-	-	-		

SEMI HARD TRAY ASSY



THIS DRAWING IS A CONTROLLED DOCUMENT.		DWN	tyco		Tyco Electronics AMP K.K.	
DIMENSIONS: 单位: 耗 MM		CHK	Electronics		Kawasaki, Japan	
TOLERANCES UNLESS OTHERWISE SPECIFIED: 一般公差		APVD	NAME 名称		0.6 DOCKING CONNECTOR	
0 PLC ± -	1 PLC ± -	PRODUCT SPEC 製品規格	SIZE		REC 80P + POWER 4P	
2 PLC ± -	3 PLC ± -	APPLICATION SPEC 取付適用規格	CAGE CODE	DRAWING NO 番号	RESTRICTED TO	
4 PLC ± -	ANGLES ± -	WEIGHT	A2	00779	C=1674147	-
MATERIAL 材料		FINISH 仕上	CUSTOMER DRAWING		SCALE 尺度	FREE
				SHEET	3 OF 3	REV A

1674147