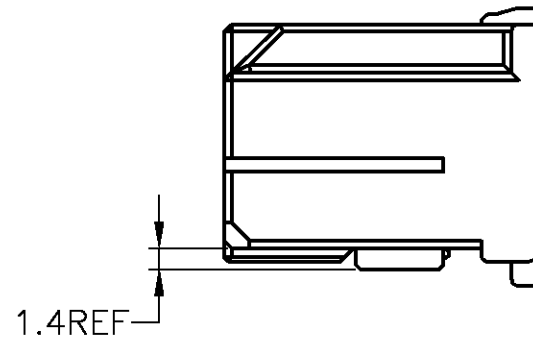
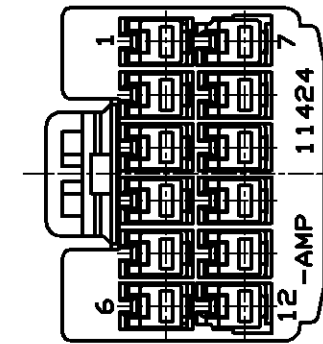
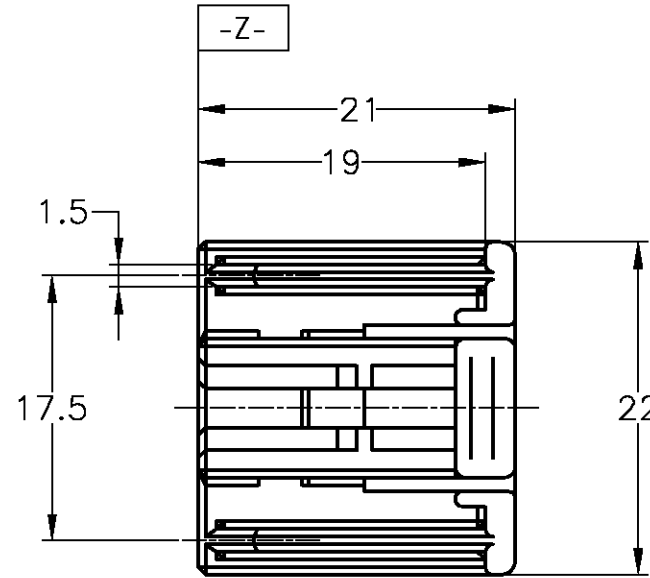
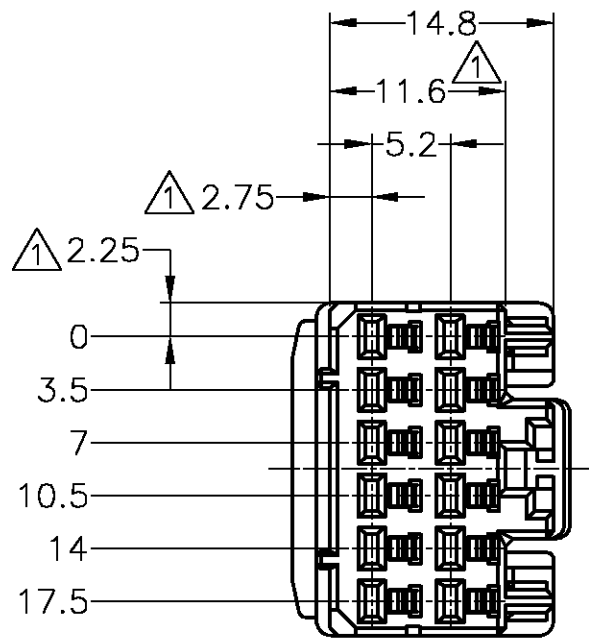


THIS DRAWING IS UNPUBLISHED. RELEASED FOR PUBLICATION
 © COPYRIGHT BY TYCO ELECTRONICS CORPORATION. ALL RIGHTS RESERVED.

LOC	DIST	REVISIONS						
		P	LTR	DESCRIPTION	DATE	DWN	APVD	
J	-	C1		REDRAWN W/CHANGE	FJA0-0068-04	04FEB04	TS	KB



- ① MUST BE KEPT BETWEEN -Z- AND 2mm.
- 2. THE MATING CAP HOUSING PART NUMBER;
175444, 175448, 176255, 178093
- 3. APPLIED CONTACT PART NUMBER;
175275, 175276, 175268, 175269
- 4. APPLICABLE PRODUCT SPEC No. 108-5342
- ⑤ RETAINER COLOR; ALL WHITE

- ① -Z- 面より 2mm の範囲で測定。
- 2. 嵌合相手ハウジング型番;
175444, 175448, 176255, 178093
- 3. 内装するリセプタクルコンタクト型番;
175275, 175276, 175268, 175269
- 4. 適用製品規格番号 108-5342
- ⑤ リテーナは全て白色

	LIGHT GRAY	6-917978-6
	YELLOW	917978-7
353437-6	GRAY	917978-6
	BLUE	917978-5
	BLACK	917978-2
	WHITE	917978-1
PACKING, BLISTER TRAY	⑤ COLOR	PART NUMBER

TOLERANCE UNLESS OTHERWISE SPECIFIED: 一般公差	
0 < x ≤ 10	±0.2
10 < x ≤ 30	±0.25
30 < x ≤ 100	±0.3
ANGLE ; 角度	±3°

THIS DRAWING IS A CONTROLLED DOCUMENT.		DWN T.SHINOHARA 04FEB04	Tyco Electronics AMP K.K. Kawasaki, Japan	
DIMENSIONS: 単位: 概 MM		CHK K.BETSUI 04FEB04		
TOLERANCES UNLESS OTHERWISE SPECIFIED: 一般公差		APVD K.BETSUI 04FEB04	NAME 040/070 HYBRID I/O CONNECTOR MK-II	
		PRODUCT SPEC 製品規格 SEE NOTE 4	12 POSITION PLUG HOUSING (POWER)	
MATERIAL 材料 PBT		FINISH 仕上 -	APPLICATION SPEC 取付適用規格 -	RESTRICTED TO -
		WEIGHT 3.9 g	SIZE A3	CAGE CODE 00779
		CUSTOMER DRAWING	DRAWING NO. 番号 C-917978	SCALE 尺度 2:1
			SHEET 1 OF 1	REV C1