

EXTRACTION TOOL	Z-PACK* CONNECTOR
1338745-1	6-Row Receptacle
1338746-1	10-Row Receptacle

Figure 1

### 1. INTRODUCTION

Extraction Tools 1338745-1 and 1338746-1 are designed to remove the chicklets of Z-PACK connectors listed in Figure 1 from printed circuit (pc) boards. Read these instructions thoroughly before using the tool.

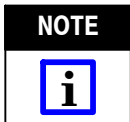
Reasons for reissue of this instruction sheet are provided in Section 4, REVISION SUMMARY.

### 2. DESCRIPTION

The extraction tool features a handle, front leg, and support leg. The angle on the handle indicates the front of the tool. When properly installed onto the chicklet, the tool provides the leverage to remove the chicklet from the pc board.

### 3. USING THE TOOL

Remove the connector housing from the pc board using Housing Removal Tool 1338744-1 according to 408-8393. Then proceed as follows:



*The connector housing must be removed from the pc board BEFORE removing any chicklets.*

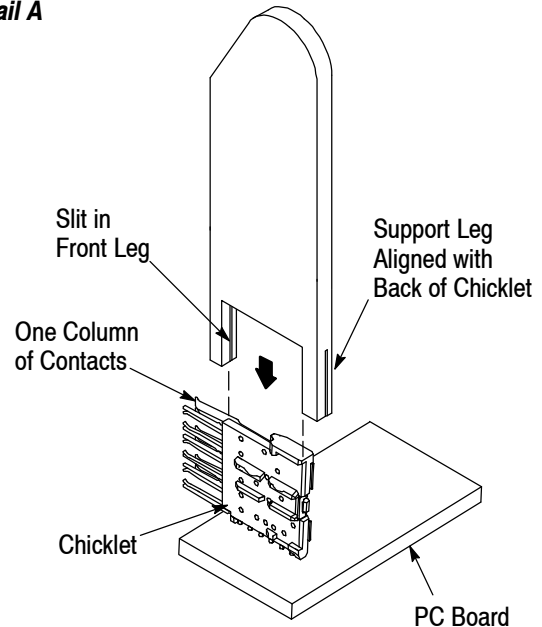
1. Hold the extraction tool over the chicklet so that the tip of the front leg faces the pc board and the slit in the front leg straddles one column of contacts. Align the inside edge of the support leg with the back of the chicklet. See Figure 2, Detail A.

2. Carefully lower the tool straight onto the chicklet until the tool bottoms. See Figure 2, Detail B.

3. While holding the pc board, slightly rock the tool back and forth until the chicklet is free from the pc board.

4. Discard the chicklet.

#### Detail A



#### Detail B

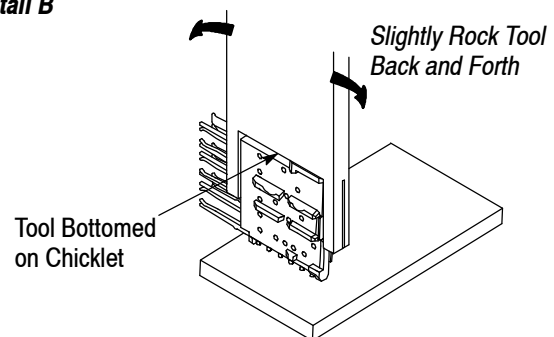


Figure 2

### 4. REVISION SUMMARY

Revisions to this instruction sheet include:

- Updated instruction sheet to corporate requirements