



# PRODUCT DATASHEET

## Lenina series

last update 31/10/2016

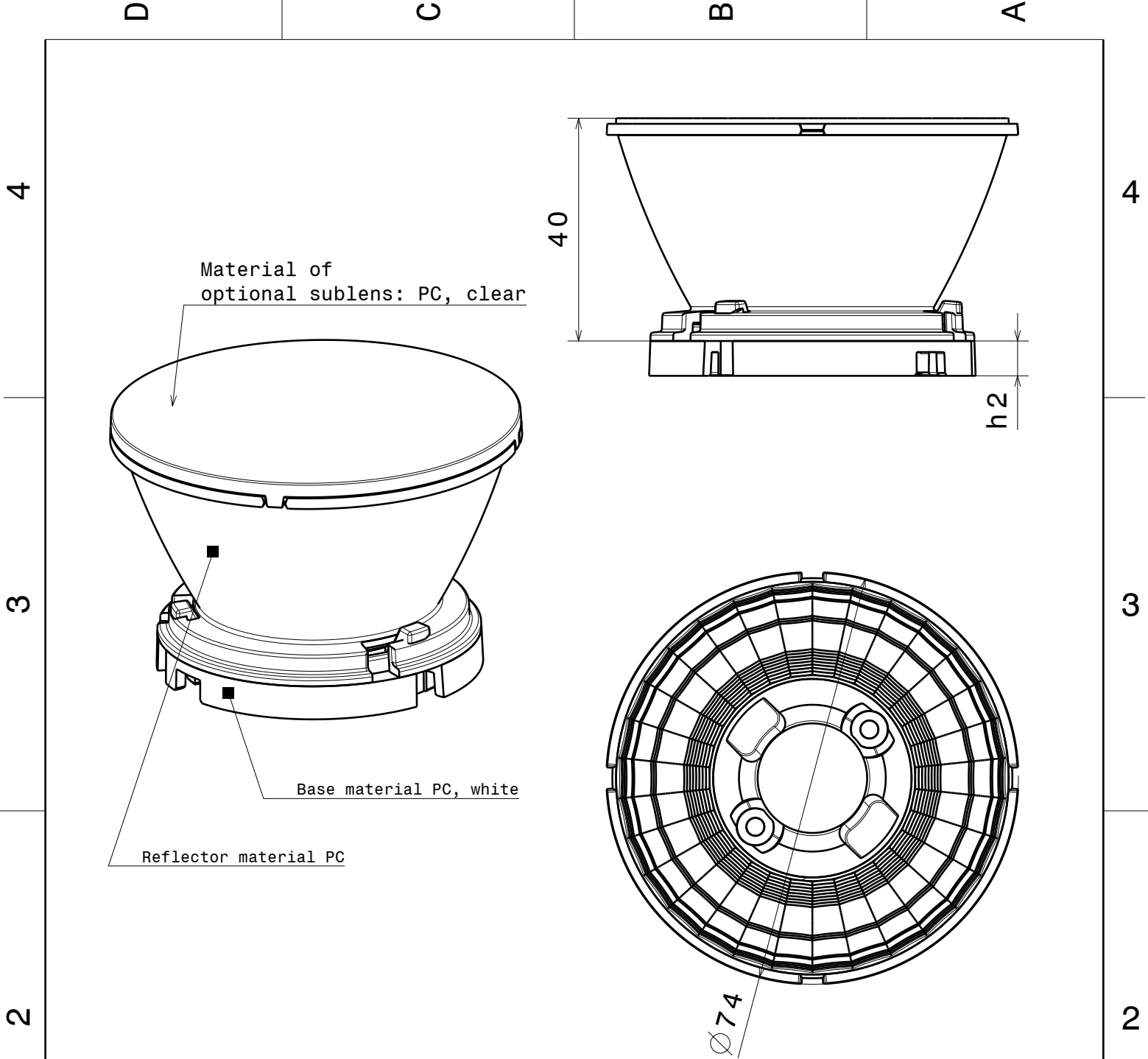
### DETAILS

<b>Product Number</b>	CN12977_LENINA-XW-DL
<b>Family</b>	Lenina
<b>Type</b>	RefPack
<b>Color</b>	white
<b>Diameter</b>	74 mm
<b>Height</b>	48,6 mm
<b>Style</b>	round
<b>Optic Material</b>	HRPC
<b>Holder Material</b>	
<b>Fastening</b>	screw, socket
<b>Status</b>	production ready
<b>ROHS Compliant</b>	Yes
<b>Date Updated</b>	31/10/2016



### OPTICAL PROPERTIES


LED	Viewing Angle	Light Beam	Efficiency	cd/lm	Connector
LUXEON K16	68 deg	WWW-class	80 %	0.600	-
LUXEON K12	68 deg	WWW-class	83 %	0.600	-



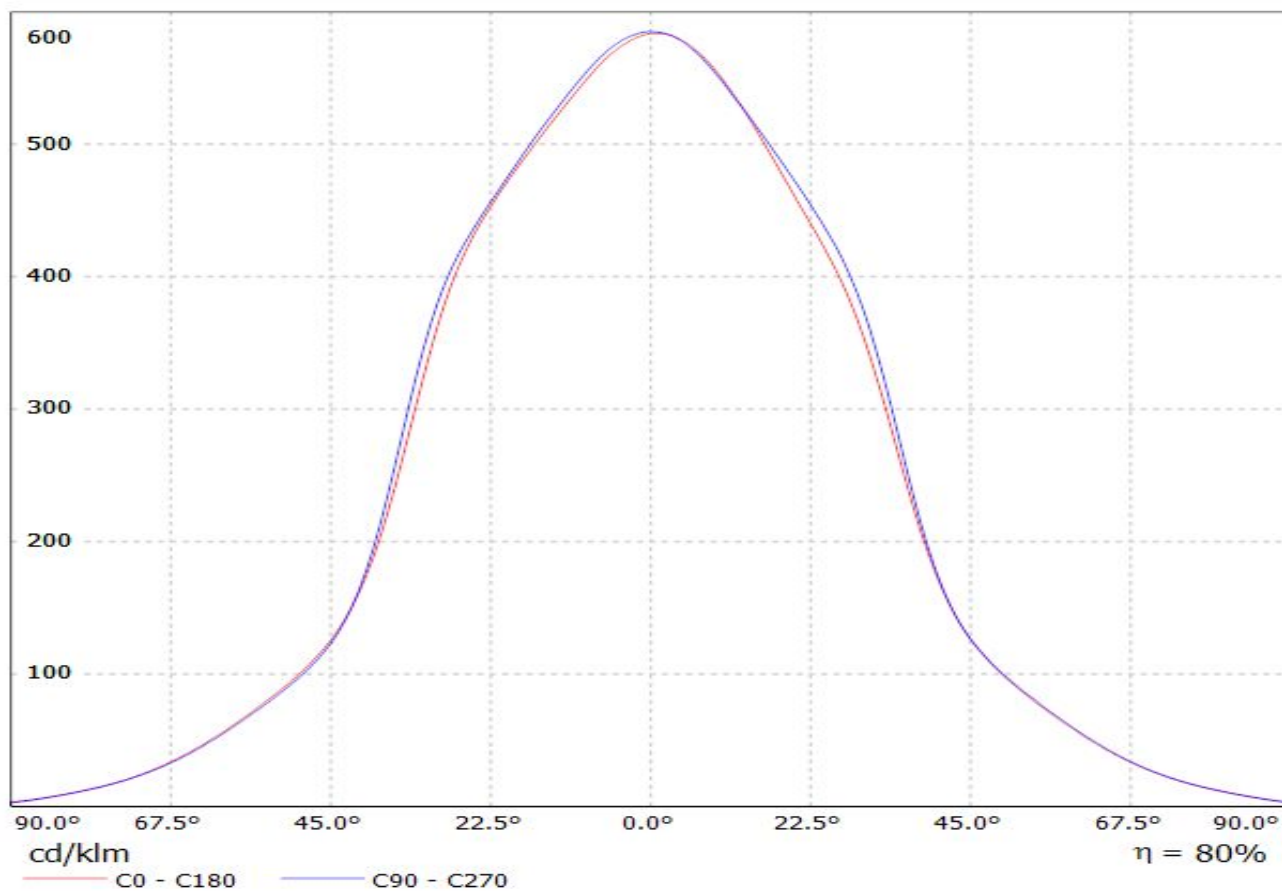
**NOTE:**

Using optional sublens, add 2.1mm to the system height

Dimension 'h2' varies from 4.5mm to 7mm depending on the LED specific base part

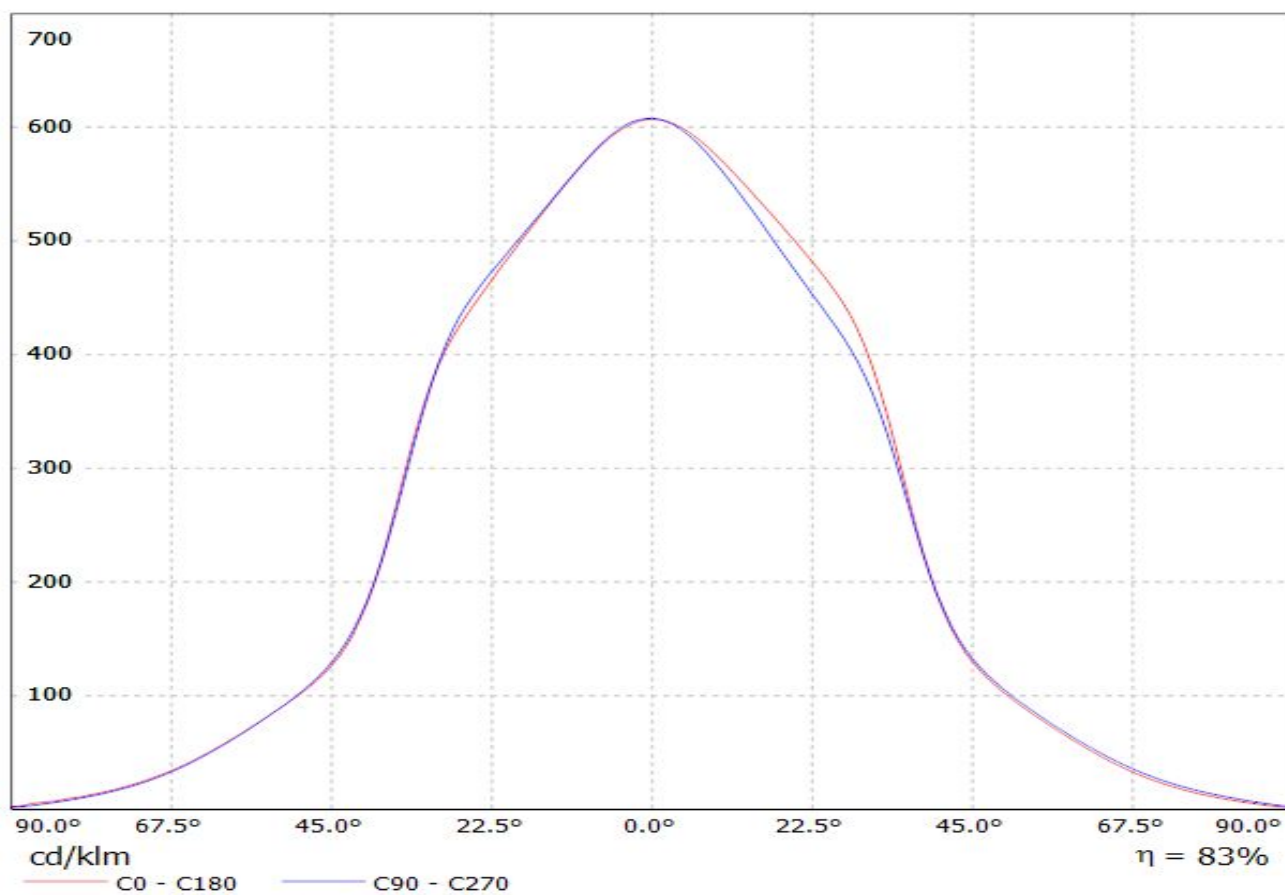
This drawing is our property. It can't be reproduced or communicated without our written agreement.				Ledil Oy Salorankatu 10 FIN-24240 SALO Finland		
DRAWN BY ks		DATE 23.04.2014		<b>DRAWING TITLE</b> <b>Datasheet Lenina series</b>		
CHECKED BY		DATE				SIZE A4
DESIGNED BY pl		DATE 08.03.2012		SCALE 1:1	WEIGHT (g)	SHEET 1/1

Luminaire: LEDiL Oy CN12977\_LENINA-XW-DL\_(Luxeon\_K16) Eff.79.7%  
Lamps: 1 x Luxeon\_K16 (1208.05lm@250mA)



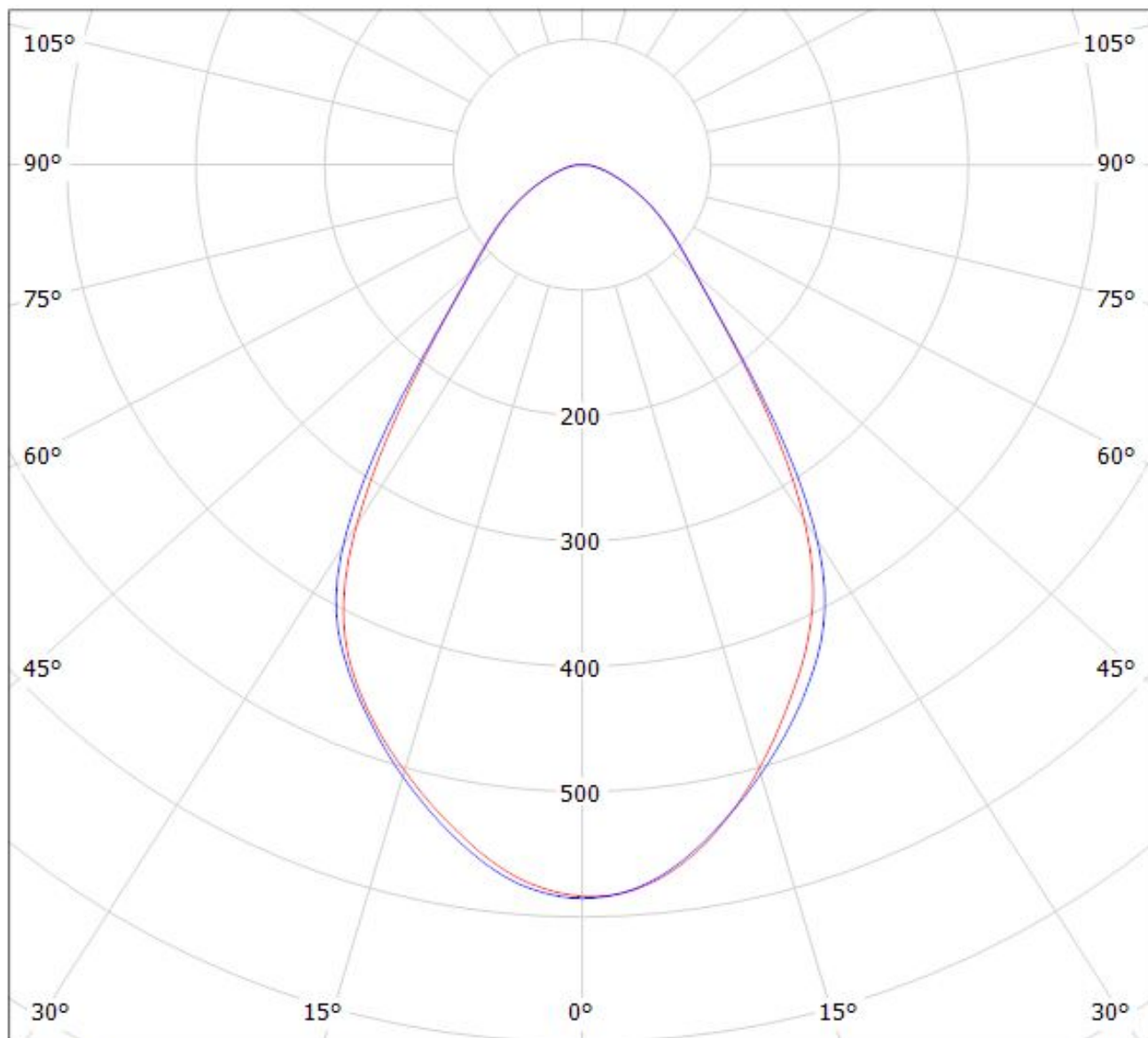
Luminaire: LEDiL Oy CN12977\_LENINA-XW-DL\_(Luxeon\_K12) Eff.82.6%

Lamps: 1 x Luxeon K12 (808.5lm@250mA)



Luminaire: LEDiL Oy CN12977\_LENINA-XW-DL\_(Luxeon\_K16) Eff.79.7%

Lamps: 1 x Luxeon\_K16 (1208.05lm@250mA)



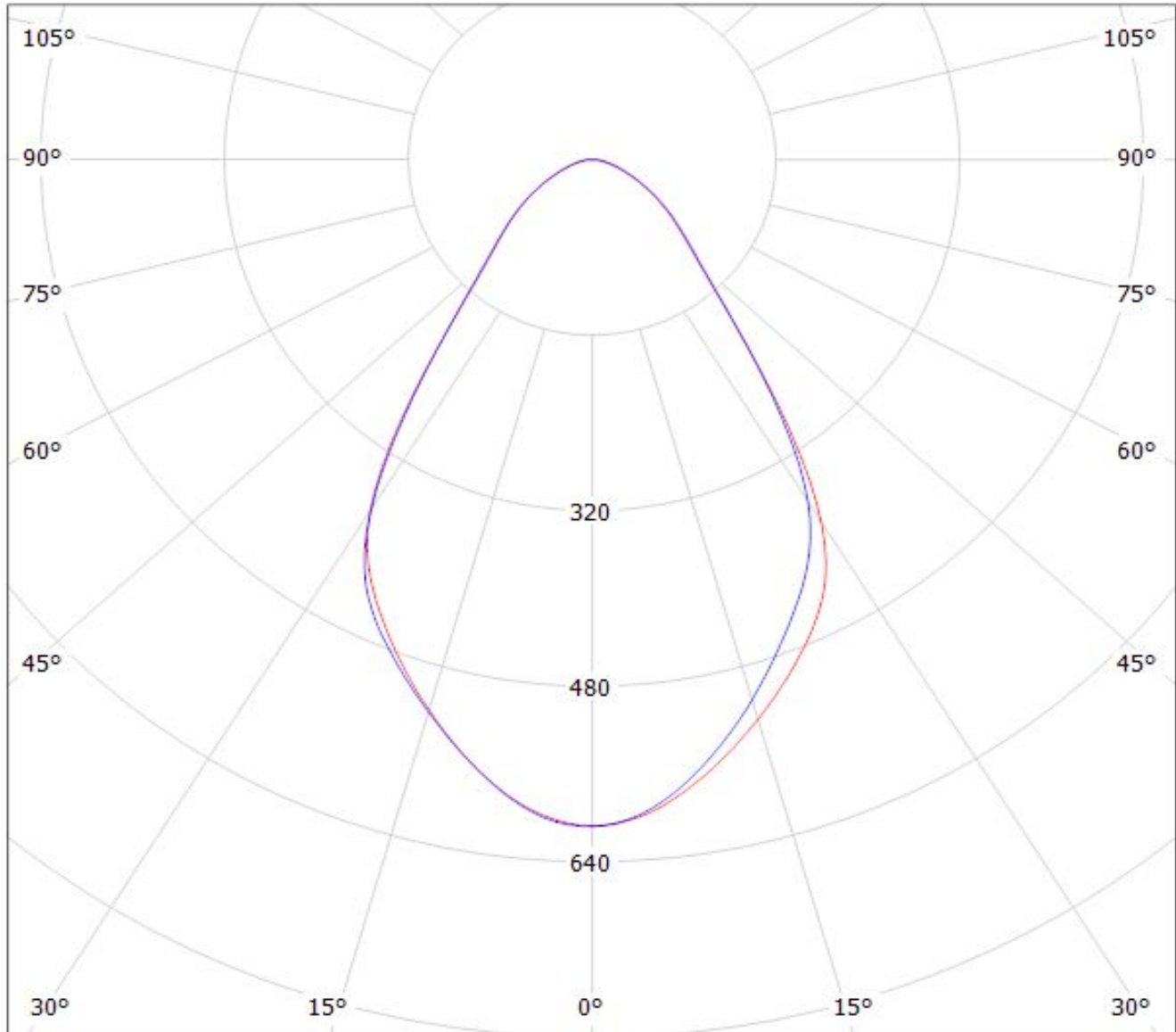
cd/klm

— C0 - C180

— C90 - C270

$\eta = 80\%$

Luminaire: LEDiL Oy CN12977\_LENINA-XW-DL\_(Luxeon\_K12) Eff.82.6%  
Lamps: 1 x Luxeon K12 (808.51lm@250mA)



$\eta = 83\%$

cd/klm  
— C0 - C180 — C90 - C270

**NOTE: The typical divergence will be changed by different color, chip size and chip position tolerance. The typical total divergence is the full angle measured where the luminous intensity is half of the peak value.**