

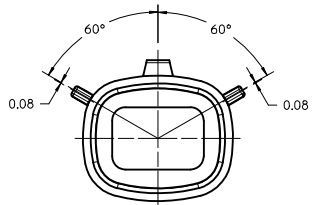
- NOTES:
1. TERMINAL MAT'L: ALLOY C26000, CARTRIDGE BRASS
  2. WAFER MAT'L: 30% GLASS FILLED LCP, 94V-0, COLOR BLACK.
  3. TERMINAL PLATING:
    - OPTION 1 - 2.5µm MIN MATTE TIN OVERALL OVER 1.50µm MIN. NICKEL OVERALL
    - OPTION 2 - 1.50µm MIN. NICKEL OVERALL 4.00µm MIN SELECT MATTE TIN PC TAIL AREA 0.05µm MIN SELECT GOLD CONTACT AREA
    - OPTION 3 - 1.50µm MIN. NICKEL OVERALL 4.00µm MIN SELECT MATTE TIN PC TAIL AREA 0.50µm MIN. SELECT GOLD CONTACT AREA
    - OPTION 4 - 1.5µm MIN MATTE TIN OVERALL OVER 1.50µm MIN. NICKEL OVERALL
  4. HEADER ASSEMBLIES ARE TUBE PACKAGED PER PK-36518-342.
  5. MAXIMUM SKIVING ALLOWED: 1mm.
  6. MAXIMUM CUT-OFF BURR ALLOWED: 0.30mm.
  7. MAXIMUM DIG MARK ALLOWED: 0.45mm.
  8. ALL THE POSITIONAL TOLERANCES SHOULD BE MEASURED AT TIP OF THE TERMINALS.
  9. POSITION TOLERANCE OF PIN AT MATING SIDE SHOULD BE MAINTAINED AT 0.3MM IN THE FINAL MODULE BY CUSTOMER.
  10. [G] DENOTES DIMENSIONS THAT CAN BE QUALIFIED WITH GAUGE
- 11. BLADE GEOMETRY DOES NOT CONFORM TO USCAR SPECIFICATIONS.**

CKT SIZE	PLATING OPTION	TOOLED				TOOLED				TOOLED				STATUS		
		MATERIAL NUMBER	*F* DIM	*C* DIM	MATERIAL NUMBER	*F* DIM	*C* DIM	MATERIAL NUMBER	*F* DIM	*C* DIM	MATERIAL NUMBER	*F* DIM	*C* DIM	*A* DIM	*B* DIM	
1 x 2		1	75757-0121	11.20	3.05	75757-0122	11.20	4.75	75757-0123	16.09	3.05	75757-0124	13.35	3.05	7	3.5
		2	75757-0221			75757-0222			75757-0223			75757-0224				
		3	75757-0321			75757-0322			75757-0323			75757-0324				
		4	75757-0421			75757-0422			75757-0423			75757-0424				
1 x 3		1	75757-0131	11.20	3.05	75757-0132	11.20	4.75	75757-0133	16.09	3.05	75757-0134	13.35	3.05	10.5	7.00
		2	75757-0231			75757-0232			75757-0233			75757-0234				
		3	75757-0331			75757-0332			75757-0333			75757-0334				
		4	75757-0431			75757-0432			75757-0433			75757-0434				
1 x 4		1	75757-0141	11.20	3.05	75757-0142	11.20	4.75	75757-0143	16.09	3.05	75757-0144	13.35	3.05	14.0	10.50
		2	75757-0241			75757-0242			75757-0243			75757-0244				
		3	75757-0341			75757-0342			75757-0343			75757-0344				
		4	75757-0441			75757-0442			75757-0443			75757-0444				
1 x 5		1	75757-0151	11.20	3.05	75757-0152	11.20	4.75	75757-0153	16.09	3.05	75757-0154	13.35	3.05	17.5	14.00
		2	75757-0251			75757-0252			75757-0253			75757-0254				
		3	75757-0351			75757-0352			75757-0353			75757-0354				
		4	75757-0451			75757-0452			75757-0453			75757-0454				
1 x 6		1	75757-0161	11.20	3.05	75757-0162	11.20	4.75	75757-0163	16.09	3.05	75757-0164	13.35	3.05	21.0	17.50
		2	75757-0261			75757-0262			75757-0263			75757-0264				
		3	75757-0361			75757-0362			75757-0363			75757-0364				
		4	75757-0461			75757-0462			75757-0463			75757-0464				

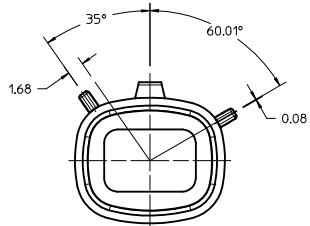
RECOMMENDED PCB LAYOUT

Pos. Tol. det. Added EC NO: I2017-0047 DRAWN:RGV 2016/11/14 CHKD: APPR:VUTTARKAR 2017/04/24	QUALITY SYMBOLS	GENERAL TOLERANCES (UNLESS SPECIFIED)	DIMENSION STYLE	SCALE	DESIGN UNITS	THIRD ANGLE PROJECTION
	▽=0	mm INCH	MM ONLY	4:1	METRIC	⊙
	▽=0	4 PLACES ± --- ± ---	DRAWN BY DATE	TITLE		
	▽=0	3 PLACES ± 0.13 ± ---	TMCCLELL 1/24/06	MX150 SINGLE ROW UNSHROUDED VERTICAL HEADER ASSEMBLY		
	1 PLACE ± 0.25 ± ---	CHECKED BY DATE	SD-75757-010			
	0 PLACE ± ±	TMCCLELL 1/24/06	MATERIAL NO. DOCUMENT NO.			
	ANGULAR ±1/2°	APPROVED BY DATE	SD-75757-010			
	DRAFT WHERE APPLICABLE MUST REMAIN WITHIN DIMENSIONS	BANAKI S 1/24/06	SHEET NO. 1 OF 1			
			THIS DRAWING CONTAINS INFORMATION THAT IS PROPRIETARY TO MOLEX INCORPORATED AND SHOULD NOT BE USED WITHOUT WRITTEN PERMISSION			

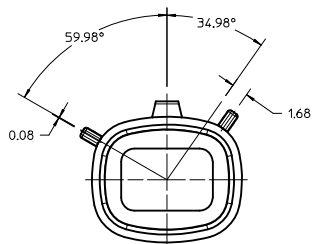
# CUSTOMER SHROUD DESIGN DETAILS



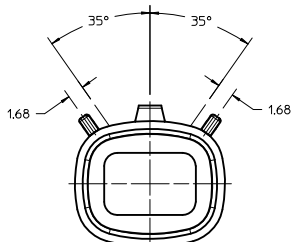
**KEYING OPTION "A"**  
SUGGESTED COLOR: BLACK



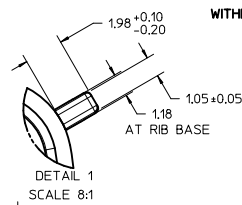
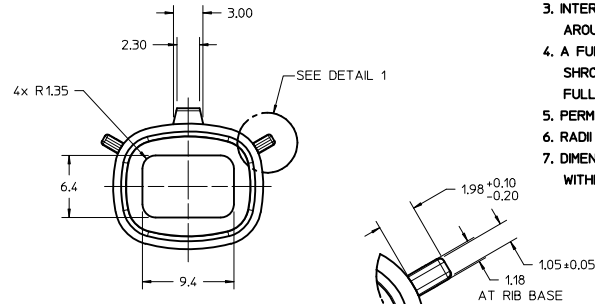
**KEYING OPTION "B"**  
SUGGESTED COLOR: GREY



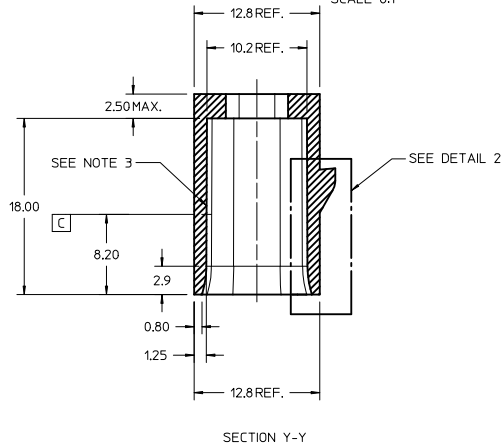
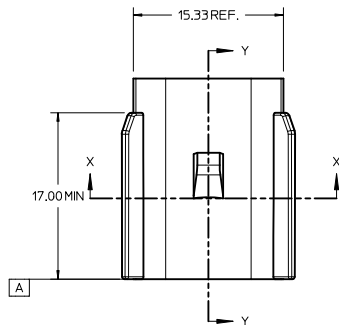
**KEYING OPTION "C"**  
SUGGESTED COLOR: BROWN



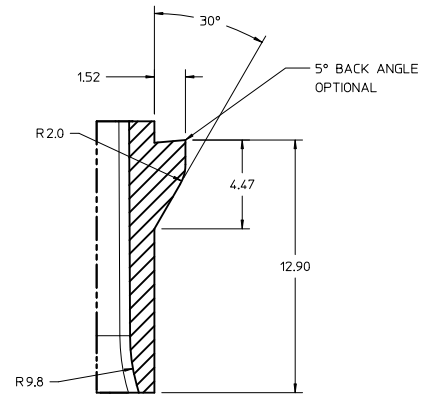
**KEYING OPTION "D"**  
SUGGESTED COLOR: GREEN



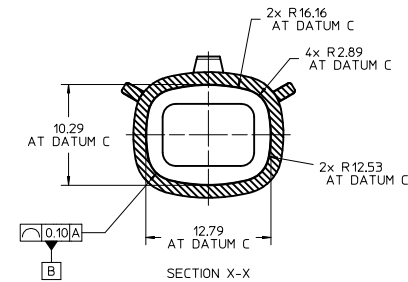
DETAIL 1  
SCALE 8:1



SECTION Y-Y



DETAIL 2  
SCALE 8:1

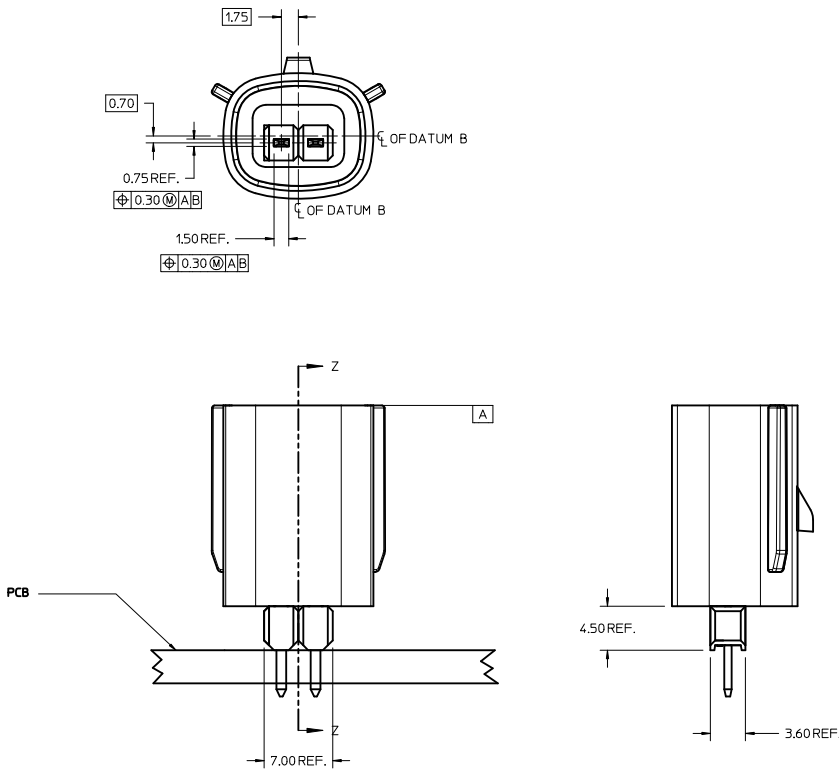


SECTION X-X

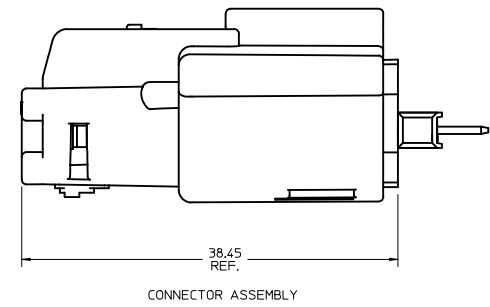
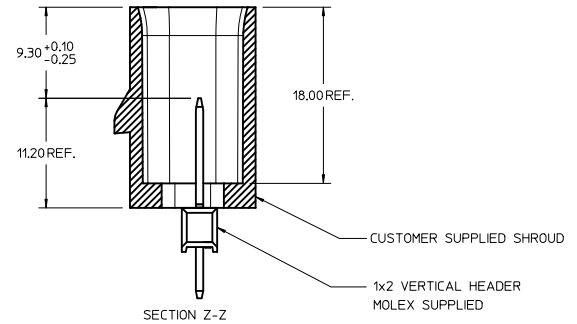
**NOTES:**

- REFER TO MOLEX SALES DRAWING SD-75757-002 FOR THE HEADER ASSEMBLY PRODUCT DETAILS AND RECOMMENDED PCB LAYOUT.
- KEYING OPTIONS A-D AND SUGGESTED COLORS COMPLY TO THE POLARIZATION STANDARDS ESTABLISHED FOR MATING WITH A MX150 FEMALE CONNECTOR.
- INTERIOR SHROUD SURFACE MUST BE FREE OF DEFECTS AND PARTING LINES ALL AROUND TO ENSURE PROPER SEALING OF THE MATING MX150 FEMALE CONNECTOR.
- A FULL SHROUD ON THE MATING CONNECTOR IS REQUIRED TO INSURE THE HEADER SHROUD POLARIZATION FEATURES (OPTIONS A-D) WILL FUNCTION PROPERLY. THE FULL SHROUD ALSO PREVENTS SCOOP DAMAGE TO THE HEADER CONTACTS.
- PERMISSIBLE DRAFT ANGLE 0.25° MAXIMUM.
- RADII ON ALL CORNERS SHOWN SHARP OR ALL UNSPECIFIED RADII 0.25 EXCEPT AS NOTED.
- DIMENSIONS SHOWN ABOUT A CENTERLINE ARE SYMMETRICAL ABOUT THAT CENTERLINE WITHIN HALF THE SPECIFIED TOLERANCE.

<b>INITIAL RELEASE</b> EC NO. UCP2011-2687 CHYD: APPR.: JCOMERCL 2011/03/11	<b>QUALITY SYMBOLS</b> =0 =0		<b>GENERAL TOLERANCES (UNLESS SPECIFIED)</b>		<b>DIMENSION STYLE</b> MM ONLY		SCALE 4:1		DESIGN UNITS METRIC		THIRD ANGLE PROJECTION			
	4 PLACES ± 0.13 3 PLACES ± 0.13 2 PLACES ± 0.13 1 PLACE ± 0.25		mm    INCH		DRAWN BY DROSCA		DATE 2011/03/04		TITLE APPLICATION SPEC 1X2 MX150 HEADER SHROUD DETAILS					
	ANGULAR ± 1/2°		DRAFT WHERE APPLICABLE MUST REMAIN WITHIN DIMENSIONS		APPROVED BY JCOMERCL		DATE 2011/03/11		MATERIAL NO. 75757-1020		DOCUMENT NO. AS-75757-102		SHEET NO. 1 OF 2	
	MOLEX INCORPORATED												THIS DRAWING CONTAINS INFORMATION THAT IS PROPRIETARY TO MOLEX INCORPORATED AND SHOULD NOT BE USED WITHOUT WRITTEN PERMISSION	



NOTES:  
 1. ADHERENCE TO THE HEADER APPLICATION DETAILS IS IMPERATIVE TO ENSURE PROPER SHROUD SEALING AND CONTACT ALIGNMENT WHEN MATED WITH A MX150 FEMALE CONNECTOR.



HEADER APPLICATION DETAILS

<b>SEE SHEET 1</b> IEC NO: UCP2011-2687 DRAWN: DROSCA CHKD: APPR: JCOMERCI 2011/03/04 2011/03/11	QUALITY SYMBOLS	GENERAL TOLERANCES (UNLESS SPECIFIED)	DIMENSION STYLE	SCALE	DESIGN UNITS	THIRD ANGLE PROJECTION															
	$\nabla=0$ $\nabla=0$	<table border="1"> <tr><th></th><th>mm</th><th>INCH</th></tr> <tr><td>4 PLACES</td><td>±---</td><td>±---</td></tr> <tr><td>3 PLACES</td><td>±---</td><td>±---</td></tr> <tr><td>2 PLACES</td><td>±0.13</td><td>±---</td></tr> <tr><td>1 PLACE</td><td>±0.25</td><td>±---</td></tr> </table>		mm	INCH	4 PLACES	±---	±---	3 PLACES	±---	±---	2 PLACES	±0.13	±---	1 PLACE	±0.25	±---	MM ONLY	4:1	METRIC	
		mm	INCH																		
	4 PLACES	±---	±---																		
3 PLACES	±---	±---																			
2 PLACES	±0.13	±---																			
1 PLACE	±0.25	±---																			
DRAFT WHERE APPLICABLE MUST REMAIN WITHIN DIMENSIONS	<table border="1"> <tr><td>DRAWN BY</td><td>DATE</td><td>TITLE</td></tr> <tr><td>DROSCA</td><td>2011/03/04</td><td>APPLICATION SPEC</td></tr> <tr><td>CHECKED BY</td><td>DATE</td><td>1X2 MX150 HEADER</td></tr> <tr><td></td><td></td><td>SHROUD DETAILS</td></tr> <tr><td>APPROVED BY</td><td>DATE</td><td></td></tr> <tr><td>JCOMERCI</td><td>2011/03/11</td><td></td></tr> </table>	DRAWN BY	DATE	TITLE	DROSCA	2011/03/04	APPLICATION SPEC	CHECKED BY	DATE	1X2 MX150 HEADER			SHROUD DETAILS	APPROVED BY	DATE		JCOMERCI	2011/03/11		MOLEX INCORPORATED MATERIAL NO. <b>75757-1020</b> DOCUMENT NO. <b>AS-75757-102</b>	SHEET NO. 2 OF 2
DRAWN BY	DATE	TITLE																			
DROSCA	2011/03/04	APPLICATION SPEC																			
CHECKED BY	DATE	1X2 MX150 HEADER																			
		SHROUD DETAILS																			
APPROVED BY	DATE																				
JCOMERCI	2011/03/11																				
SIZE <b>D</b> THIS DRAWING CONTAINS INFORMATION THAT IS PROPRIETARY TO MOLEX INCORPORATED AND SHOULD NOT BE USED WITHOUT WRITTEN PERMISSION																					