

THE INFORMATION CONTAINED HEREIN IS CONSIDERED "PROPRIETARY" TO BEL FUSE INC. AND SHALL NOT BE COPIED, REPRODUCED OR DISCLOSED WITHOUT THE WRITTEN APPROVAL OF BEL FUSE INC.

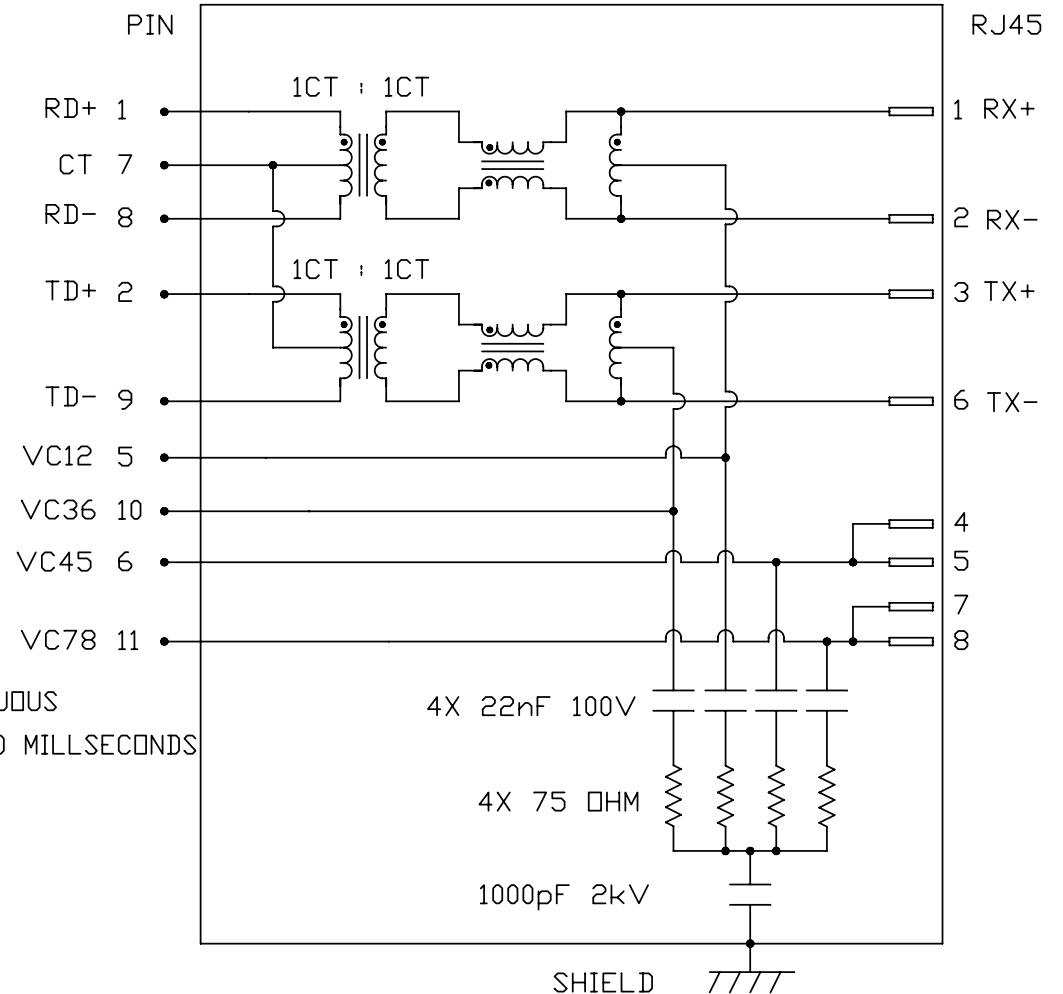
RoHS  
2002/95/EC



ELECTRICAL CHARACTERISTICS @ 25°C

<p>                 TURNS RATIO                  □CL @ 100kHz/100mVRMS                  8mA DC BIAS                  INSERTION LOSS                  100KHz TO 100MHZ                  RETURN LOSS (MIN.)                  2MHz-30MHz                  60MHz-80MHz                  CROSS TALK                  100KHz - 100MHz                  HIPOT (ISOLATION VOLTAGE)                  100% OF PRODUCTION TESTED TO COMPLY                  WITH IEEE 802.3 ISOLATION REQUIREMENT                  BALANCED DC LINE CURRENT             </p>	<p>                 1CT : 1CT ±2%                  350µH MIN.                  -1.5 dB MAX.                  -16 dB MIN.                  -10 dB MIN.                  -30 dB MIN.                  2250 VDC                  350mA MAX. @ 57 VDC CONTINUOUS                  500mA MAX. @ 57 VDC FOR 200 MILLSECONDS             </p>
---	--

SCHEMATIC



ORIGINATED BY	DATE
CHOW WANGCHUNG	05-19-11
DRAWN BY	DATE
LEE WEIDE	05-19-11

TITLE	1X4 MagJack® FOR 10/100 PoE 0813-1X4T-57-F PATENTED
-------	--

PART NO. / DRAWING NO.	08131X4T57-F
FILE NAME	08131X4T57-F_B.DWG

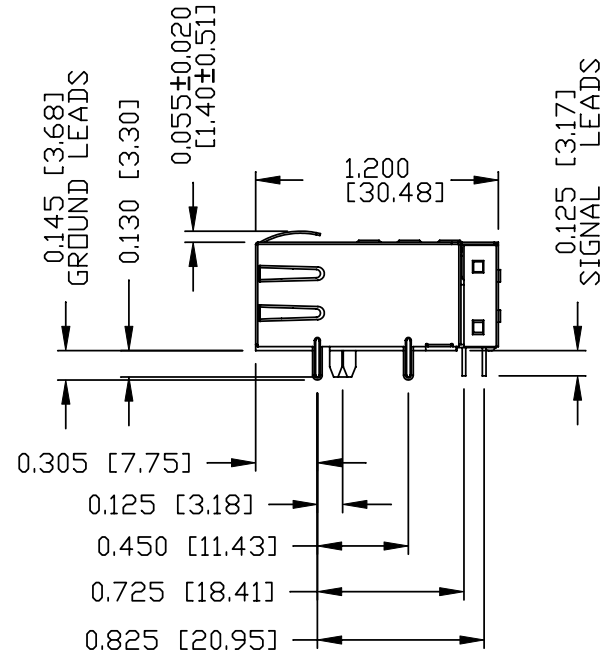
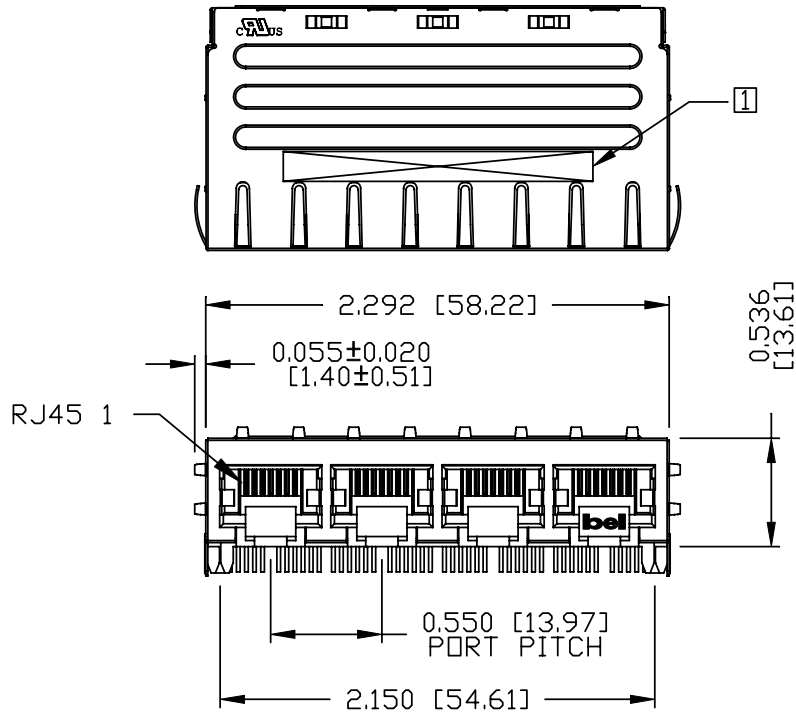
STANDARD DIM. TOL. IN INCH	[ ] METRIC DIM. AS REFERENCE
.X	UNIT : INCH [mm]
.XX	SCALE : N/A
.XXX	REV. : B

SIZE : A4	PAGE : 2
-----------	----------



THE INFORMATION CONTAINED HEREIN IS CONSIDERED "PROPRIETARY" TO BEL FUSE INC. AND SHALL NOT BE COPIED, REPRODUCED OR DISCLOSED WITHOUT THE WRITTEN APPROVAL OF BEL FUSE INC.

RoHS  
2002/95/EC



**NOTES:**

- PLASTIC HOUSING: THERMOPLASTIC PBT  
FLAMMABILITY RATING UL 94V-0
- CONTACTS PLATING: 50 MICRO-INCH HARD GOLD PLATING
- PINS: TIN-COATED COPPER WIRE, DIA 0.018 INCH.
- METAL SHIELD: NICKEL PLATED ON COPPER ALLOY.  
(ALL GROUND LEADS ARE SOLDER DIPPED)

[1] MARK PART WITH MFG. LOGO; MFG. NAME; PART NUMBER  
DATE CODE AND PATENTED.

c UL RECOGNIZED - FILE #E196366 AND E169987.  
RoHS COMPLIANCE, PER EU DIRECTIVE 2002/95/EC.  
2. THE PRODUCT IS PATENTED, THE PATENT NUMBER IS  
U.S. PAT. 5,736,910.

ORIGINATED BY CHEN BILL	DATE 05-19-11	TITLE 1X4 MagJack® FOR 10/100 PoE 0813-1X4T-57-F PATENTED	PART NO. / DRAWING NO. 08131X4T57-F		STANDARD DIM. TOL. IN INCH		[ ] METRIC DIM. AS REFERENCE		
			FILE NAME 08131X4T57-F_B.DWG		.X		UNIT : INCH [mm]	REV. : B	
DRAWN BY HE ZHEN	DATE 05-19-11				.XX		SCALE : N/A	SIZE : A4	
					.XXX	±0.010		PAGE : 3	

THE INFORMATION CONTAINED HEREIN IS CONSIDERED "PROPRIETARY" TO BEL FUSE INC. AND SHALL NOT BE COPIED, REPRODUCED OR DISCLOSED WITHOUT THE WRITTEN APPROVAL OF BEL FUSE INC.

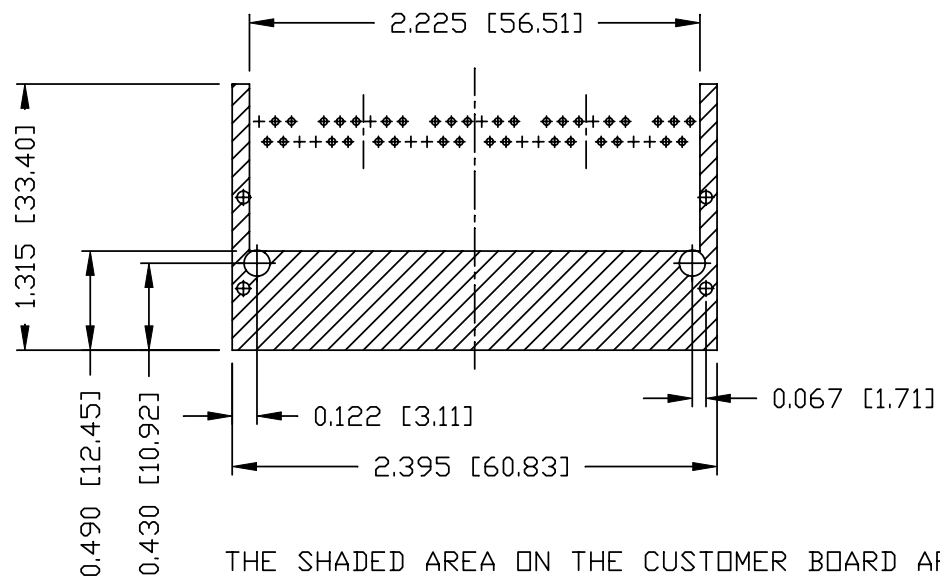
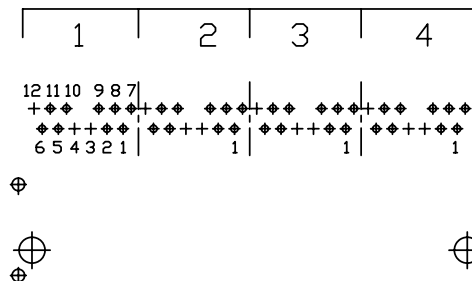
RoHS  
2002/95/EC



PIN-OUT INFORMATION  
(COMPONENT SIDE VIEW)

12	NO PIN
11	VC78
10	VC36
9	TD-
8	RD-
7	CT
6	VC45
5	VC12
4	NO PIN
3	NO PIN
2	TD+
1	RD+

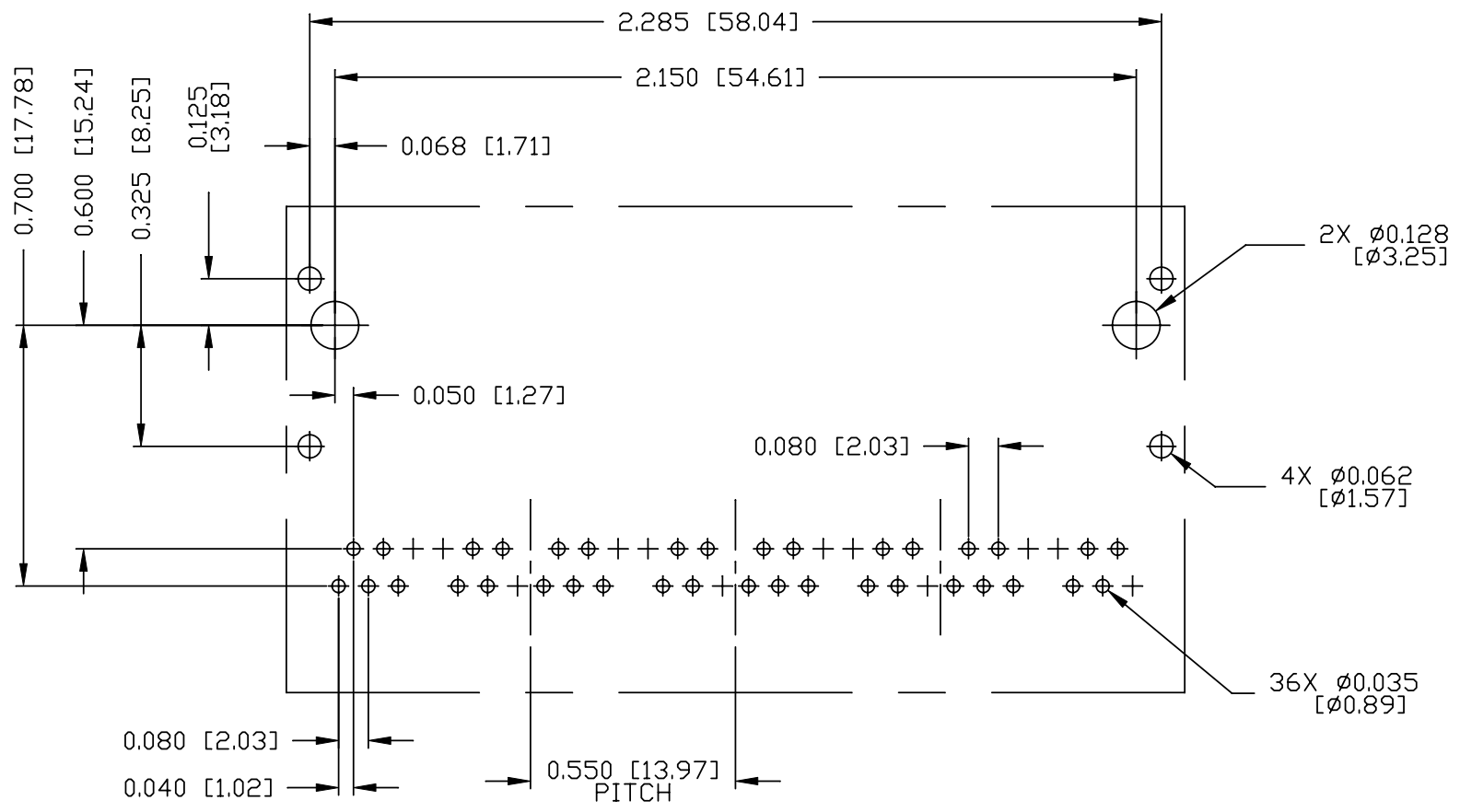
PIN AND PORT ASSIGNMENT  
(COMPONENT SIDE VIEW)



THE SHADED AREA ON THE CUSTOMER BOARD ARE RECOMMENDED TO BE CLEAR OFF ANY VIA HOLE OR COMPONENT PAD.

ORIGINATED BY CHEN BILL	DATE 05-19-11	TITLE 1X4 MagJack® FOR 10/100 PoE	PART NO. / DRAWING NO. 08131X4T57-F	STANDARD DIM. TOL. IN INCH		[ ] METRIC DIM. AS REFERENCE		bel
				.X		UNIT : INCH [mm]	REV. : B	
DRAWN BY HE ZHEN	DATE 05-19-11	TITLE 0813-1X4T-57-F PATENTED	FILE NAME 08131X4T57-F_B.DWG	.XX		SCALE : N/A	SIZE : A4	COMPONENTS FOR A CONNECTED PLANET
				.XXX	±0.010		PAGE : 4	

THE INFORMATION CONTAINED HEREIN IS CONSIDERED "PROPRIETARY" TO BEL FUSE INC. AND SHALL NOT BE COPIED, REPRODUCED OR DISCLOSED WITHOUT THE WRITTEN APPROVAL OF BEL FUSE INC.



RECOMMENDED PCB FOOTPRINT  
(COMPONENT SIDE VIEW)

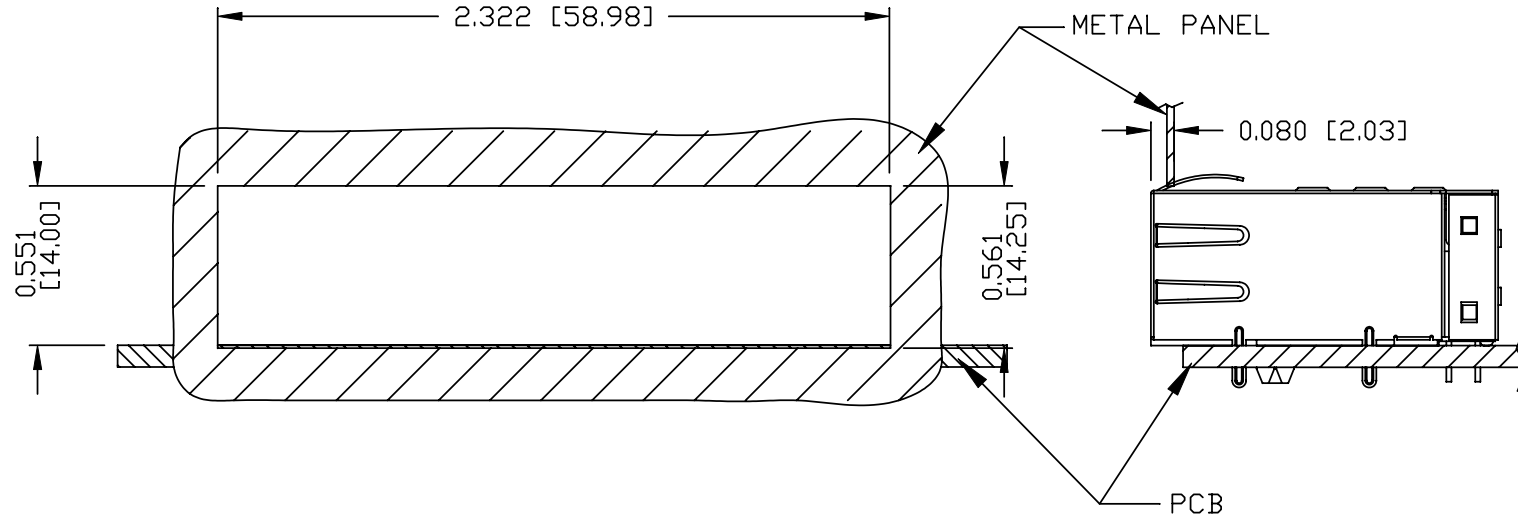
ORIGINATED BY CHEN BILL	DATE 05-19-11	TITLE 1X4 MagJack® FOR 10/100 PoE 0813-1X4T-57-F PATENTED	PART NO. / DRAWING NO. 08131X4T57-F	STANDARD DIM. TOL. IN INCH		[ ] METRIC DIM. AS REFERENCE		REV. : B	SIZE : A4	PAGE : 5	 <small>COMPONENTS FOR A CONNECTED PLANET</small>
	DRAWN BY HE ZHEN			DATE 05-19-11	FILE NAME 08131X4T57-F_B.DWG	.X					
					.XX						
					.XXX	±0.010					

THE INFORMATION CONTAINED HEREIN IS CONSIDERED "PROPRIETARY" TO BEL FUSE INC. AND SHALL NOT BE COPIED, REPRODUCED OR DISCLOSED WITHOUT THE WRITTEN APPROVAL OF BEL FUSE INC.

RoHS  
2002/95/EC



SUGGESTED PANEL OPENING



NOTES:

THE DISTANCE OF PANEL INSIDE SURFACE RELATIVE TO FRONT SURFACE OF PART IS ONLY A SUGGESTION. IN CASE THIS DISTANCE IS DIFFERENT, THE REQUIRED PANEL OPENING DIMENSIONS CHANGE ACCORDINGLY.

PACKING INFORMATION


PACKING TRAY: 0200-0148-37 (TOP)

0200-0148-38 (BOTTOM)

PACKING QUANTITY: 20 PCS FINISHED GOODS PER TRAY

8 TRAYS (160 PCS FINISHED GOODS) PER CARTON BOX

NOTE: CARDBOARDS ARE PLACED BETWEEN LAYERS OF PACKING TRAY INSIDE CARTON BOX  
(INCLUDE THE UPPERMOST AND LOWERMOST TRAY)

ORIGINATED BY	DATE	TITLE	PART NO. / DRAWING NO.	STANDARD DIM. TOL. IN INCH	[ ] METRIC DIM. AS REFERENCE	 COMPONENTS FOR A CONNECTED PLANET	
CHEN BILL	05-19-11	1X4 MagJack® FOR 10/100 PoE 0813-1X4T-57-F PATENTED	08131X4T57-F	.X	UNIT : INCH [mm]		REV. : B
DRAWN BY	DATE		FILE NAME	.XX	SCALE : N/A		SIZE : A4
HE ZHEN	05-19-11		08131X4T57-F_B.DWG	.XXX	±0.005	PAGE : 6	