

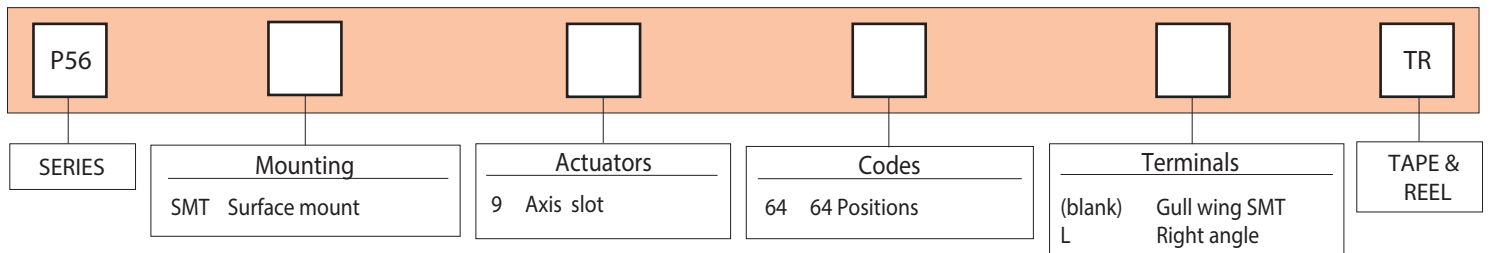
# P56 series

## Rotary code switches

*Through-hole or surface mount*



- Less calibrating with 64 positions
- Easily repeatable address & parameter setting
- Actuator accessories available
- Horizontal or right angle SMT



### ELECTRICAL SPECIFICATIONS

- Operating voltage: 24 VDC max.
- Contact load, dynamic: 100mA max.
- Initial contact resistance: 80 mΩ max.
- Insulation resistance: 100 MΩ min.

### MATERIALS

- Base: UL94-V0, high temperature thermoplastic, black
- Cover: UL94-V0, high temperature thermoplastic
- Support clip: Stainless steel, tinned
- Actuator: UL94-V0, high temperature thermoplastic
- Spring: Stainless steel
- Contacts: Gold over nickel-plated copper alloy
- Terminals: Tin plated

### PACKAGING

- Switches: Tape and Reel - Surface mount, 450 pieces  
- Right angle, 200 pieces
- Accessories: bags of 50 pieces

### MECHANICAL AND THERMAL SPECS

- Torque (typical): 1.0 N-cm min.
- Expected life : 20,000 steps min.
- Operating temperature:  
-25°C to +95°C (-13°F to +203°F)
- Storage temperature:  
-30°C to +95°C (-22°F to +203°F)
- Humidity: 21 days at 40°C (104°F)
- Positions: 64

### SOLDER RECOMMENDATIONS

- Reflow soldering: 260°C max. for 10 seconds max.

### SHOCK AND VIBRATION TESTS

- Vibration: acc. DIN EN 60068-2-6
- Shock: acc. DIN EN 60068-2-27



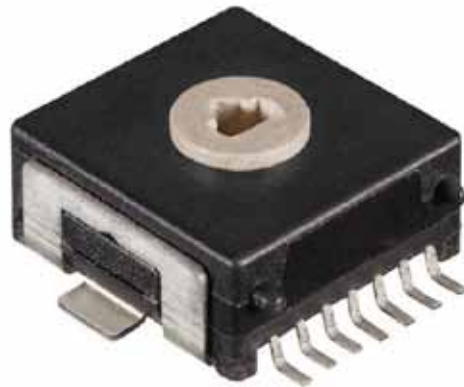
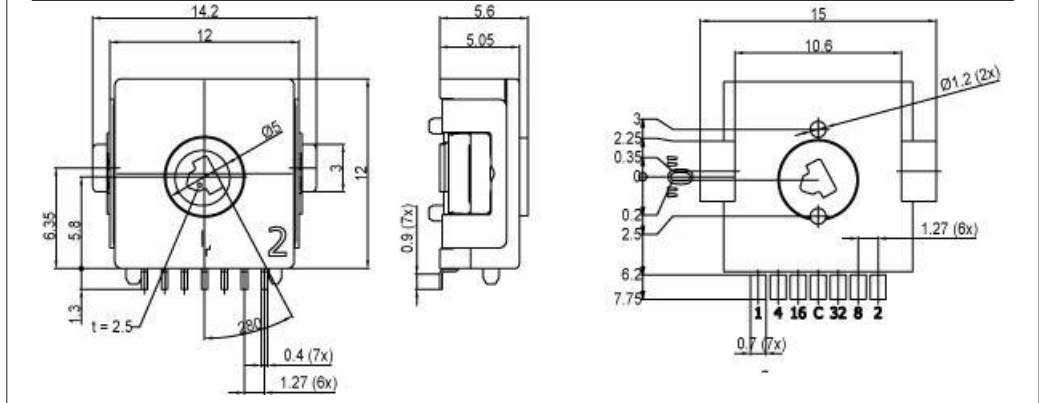
# P56 series

## Rotary code switches

Through-hole or surface mount

CODES						
	1	2	4	8	16	32
0						
1	X					
2	X	X				
3		X				
4		X	X			
5	X	X	X			
6	X		X			
7			X			
8			X	X		
9	X		X	X		
10	X	X	X	X		
11		X	X	X		
12		X		X		
13	X	X		X		
14	X			X		
15				X		
16				X	X	
17	X			X	X	
18	X	X		X	X	
19		X		X	X	
20		X	X	X	X	
21	X	X	X	X	X	
22	X		X	X	X	
23			X	X	X	
24			X		X	
25	X		X		X	
26	X	X	X		X	
27		X	X		X	
28		X			X	
29	X	X			X	
30	X				X	
31					X	
32					X	X
33	X				X	X
34	X	X			X	X
35		X			X	X
36		X	X		X	X
37	X	X	X		X	X
38	X		X		X	X
39			X		X	X
40			X	X	X	X
41	X		X	X	X	X
42	X	X	X	X	X	X
43		X	X	X	X	X
44		X		X	X	X
45	X	X		X	X	X
46	X			X	X	X
47				X	X	X
48				X		X
49	X			X		X
50	X	X		X		X
51		X		X		X
52		X	X	X		X
53	X	X	X	X		X
54	X		X	X		X
55			X	X		X
56			X			X
57	X		X			X
58	X	X	X			X
59		X	X			X
60		X				X
61	X	X				X
62	X					X
63						X

### SURFACE MOUNT DIMENSIONS



### RIGHT ANGLE DIMENSIONS

